

SN54ALS569A, SN74ALS568A, SN74ALS569A SYNCHRONOUS 4-BIT UP/DOWN DECADE AND BINARY COUNTERS WITH 3-STATE OUTPUTS

SDAS229A – APRIL 1982 – REVISED JANUARY 1995

- 3-State Q Outputs Drive Bus Lines Directly
- Counter Operation Independent of 3-State Output
- Fully Synchronous Clear, Count, and Load
- Asynchronous Clear Is Also Provided
- Fully Cascadable
- Package Options Include Plastic Small-Outline (DW) Packages, Ceramic Chip Carriers (FK), and Standard Plastic (N) and Ceramic (J) 300-mil DIPs

description

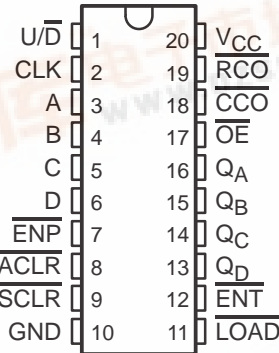
The SN74ALS568A decade counter and 'ALS569A binary counters are programmable, count up or down, and offer both synchronous and asynchronous clearing. All synchronous functions are executed on the positive-going edge of the clock (CLK) input.

The clear function is initiated by applying a low level to either asynchronous clear (ACLR) or synchronous clear (SCLR). Asynchronous (direct) clearing overrides all other functions of the device, while synchronous clearing overrides only the other synchronous functions. Data is loaded from the A, B, C, and D inputs by holding load (LOAD) low during a positive-going clock transition. The counting function is enabled only when enable P ($\overline{\text{ENP}}$) and enable T ($\overline{\text{ENT}}$) are low and ACLR, SCLR, and $\overline{\text{LOAD}}$ are high. The up/down ($\overline{\text{U/D}}$) input controls the direction of the count. These counters count up when $\overline{\text{U/D}}$ is high and count down when $\overline{\text{U/D}}$ is low.

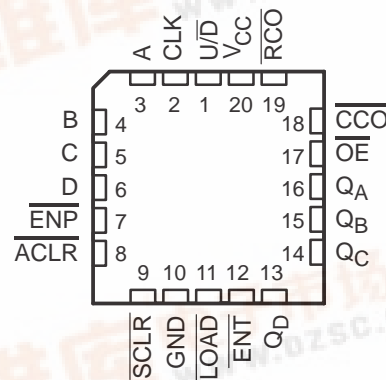
A high level at the output-enable ($\overline{\text{OE}}$) input forces the Q outputs into the high-impedance state, and a low level enables those outputs. Counting is independent of $\overline{\text{OE}}$. $\overline{\text{ENT}}$ is fed forward to enable the ripple-carry output ($\overline{\text{RCO}}$) to produce a low-level pulse while the count is zero (all Q outputs low) when counting down or maximum (9 or 15) when counting up. The clocked carry output ($\overline{\text{CCO}}$) produces a low-level pulse for a duration equal to that of the low level of the clock when $\overline{\text{RCO}}$ is low and the counter is enabled (both $\overline{\text{ENP}}$ and $\overline{\text{ENT}}$ are low); otherwise, $\overline{\text{CCO}}$ is high. $\overline{\text{CCO}}$ does not have the glitches commonly associated with a ripple-carry output. Cascading is normally accomplished by connecting $\overline{\text{RCO}}$ or $\overline{\text{CCO}}$ of the first counter to $\overline{\text{ENT}}$ of the next counter. However, for very high-speed counting, $\overline{\text{RCO}}$ should be used for cascading since $\overline{\text{CCO}}$ does not become active until the clock returns to the low level.

The SN54ALS569A is characterized for operation over the full military temperature range of -55°C to 125°C . The SN74ALS568A and SN74ALS569A are characterized for operation from 0°C to 70°C .

SN54ALS569A . . . J PACKAGE
SN74ALS568A, SN74ALS569A . . . DW OR N PACKAGE
(TOP VIEW)



SN54ALS569A . . . FK PACKAGE
(TOP VIEW)



SN54ALS569A, SN74ALS568A, SN74ALS569A
SYNCHRONOUS 4-BIT UP/DOWN DECADE AND BINARY COUNTERS
WITH 3-STATE OUTPUTS

SDAS229A – APRIL 1982 – REVISED JANUARY 1995

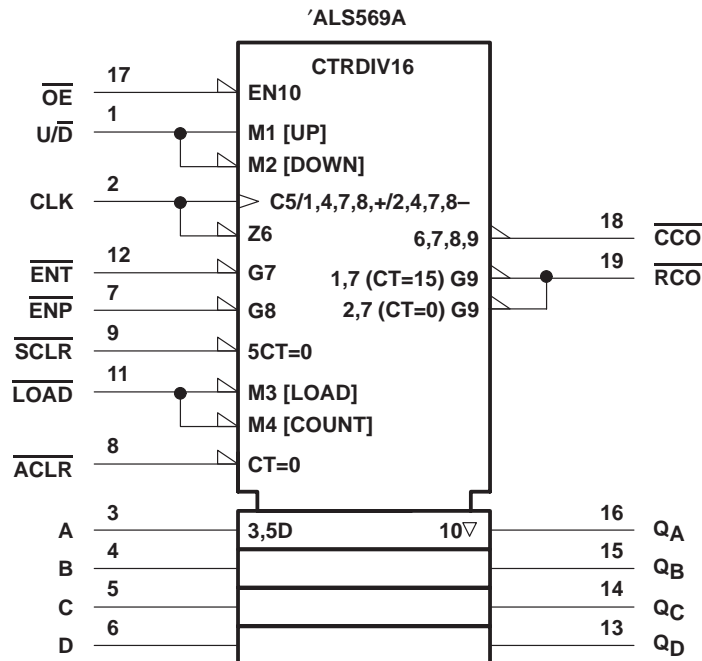
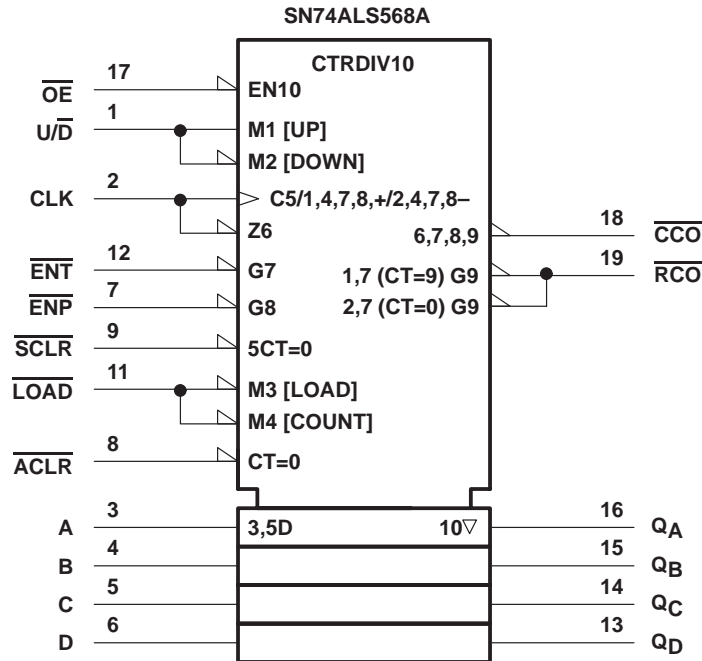
FUNCTION TABLE

| INPUTS | | | | | | | | OPERATION |
|-----------------|-------------------|-------------------|-------------------|------------------|------------------|-----|-----|--------------------|
| \overline{OE} | \overline{ACLR} | \overline{SCLR} | \overline{LOAD} | \overline{ENT} | \overline{ENP} | U/D | CLK | |
| H | X | X | X | X | X | X | X | Q outputs disabled |
| L | L | X | X | X | X | X | X | Asynchronous clear |
| L | H | L | X | X | X | X | ↑ | Synchronous clear |
| L | H | H | L | X | X | X | ↑ | Load |
| L | H | H | H | L | L | H | ↑ | Count up |
| L | H | H | H | L | L | L | ↑ | Count down |
| L | H | H | H | H | X | X | X | Inhibit count |
| L | H | H | H | X | H | X | X | Inhibit count |

SN54ALS569A, SN74ALS568A, SN74ALS569A SYNCHRONOUS 4-BIT UP/DOWN DECADE AND BINARY COUNTERS WITH 3-STATE OUTPUTS

SDAS229A – APRIL 1982 – REVISED JANUARY 1995

logic symbols†

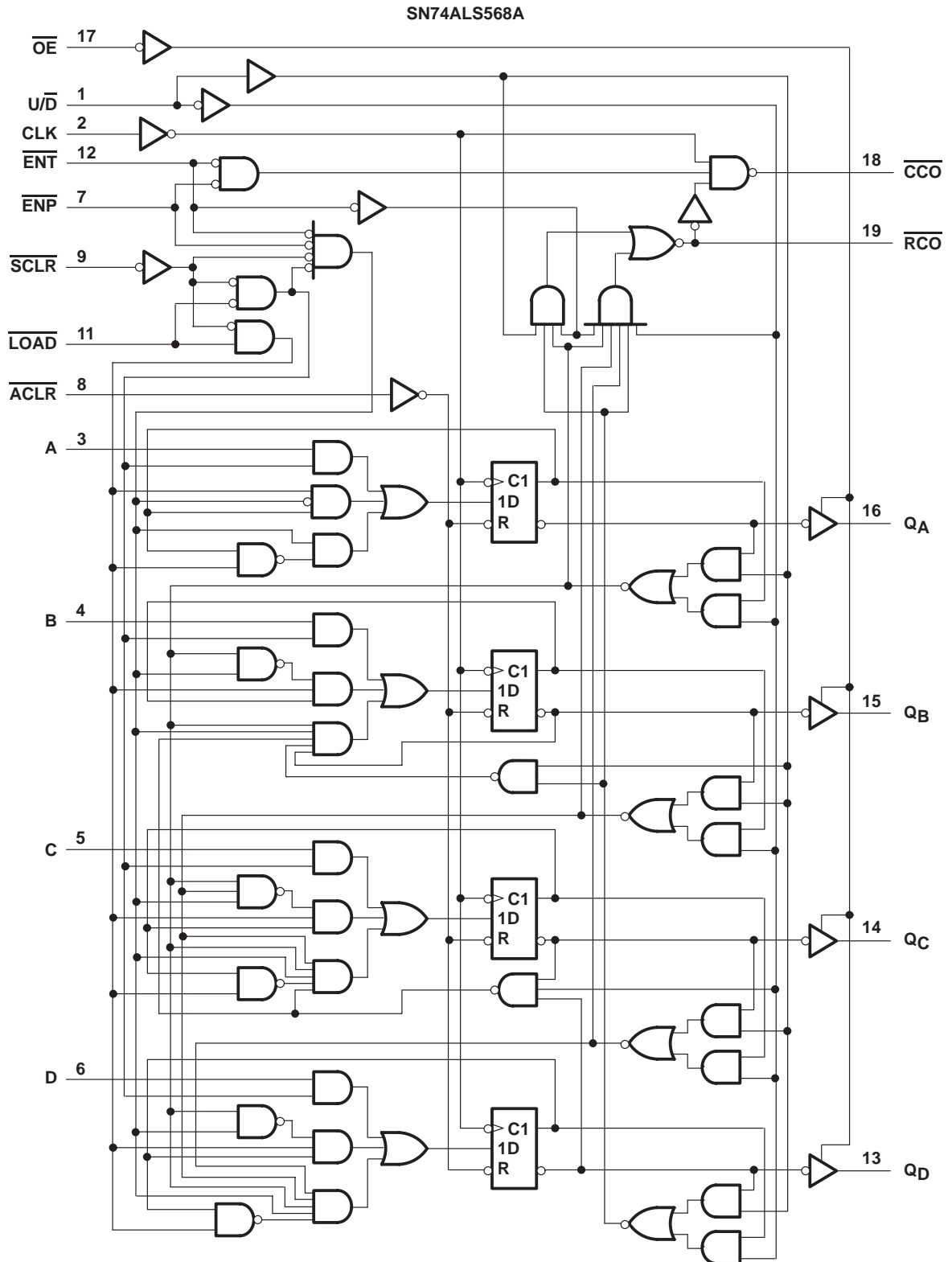


† These symbols are in accordance with ANSI/IEEE Std 91-1984 and IEC Publication 617-12.

SN54ALS569A, SN74ALS568A, SN74ALS569A SYNCHRONOUS 4-BIT UP/DOWN DECADE AND BINARY COUNTERS WITH 3-STATE OUTPUTS

SDAS229A – APRIL 1982 – REVISED JANUARY 1995

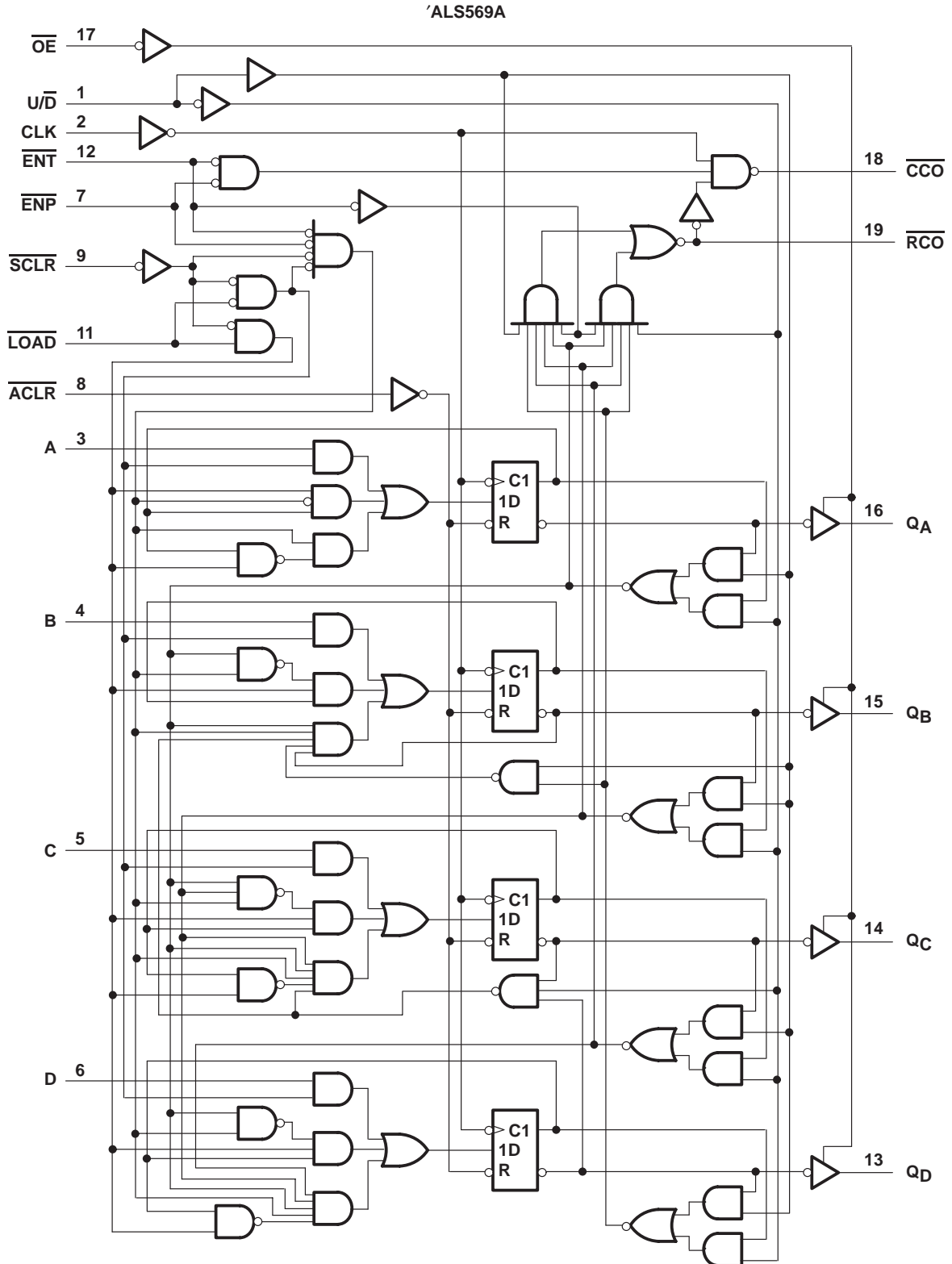
logic diagrams (positive logic)



SN54ALS569A, SN74ALS568A, SN74ALS569A
SYNCHRONOUS 4-BIT UP/DOWN DECADE AND BINARY COUNTERS
WITH 3-STATE OUTPUTS

SDAS229A – APRIL 1982 – REVISED JANUARY 1995

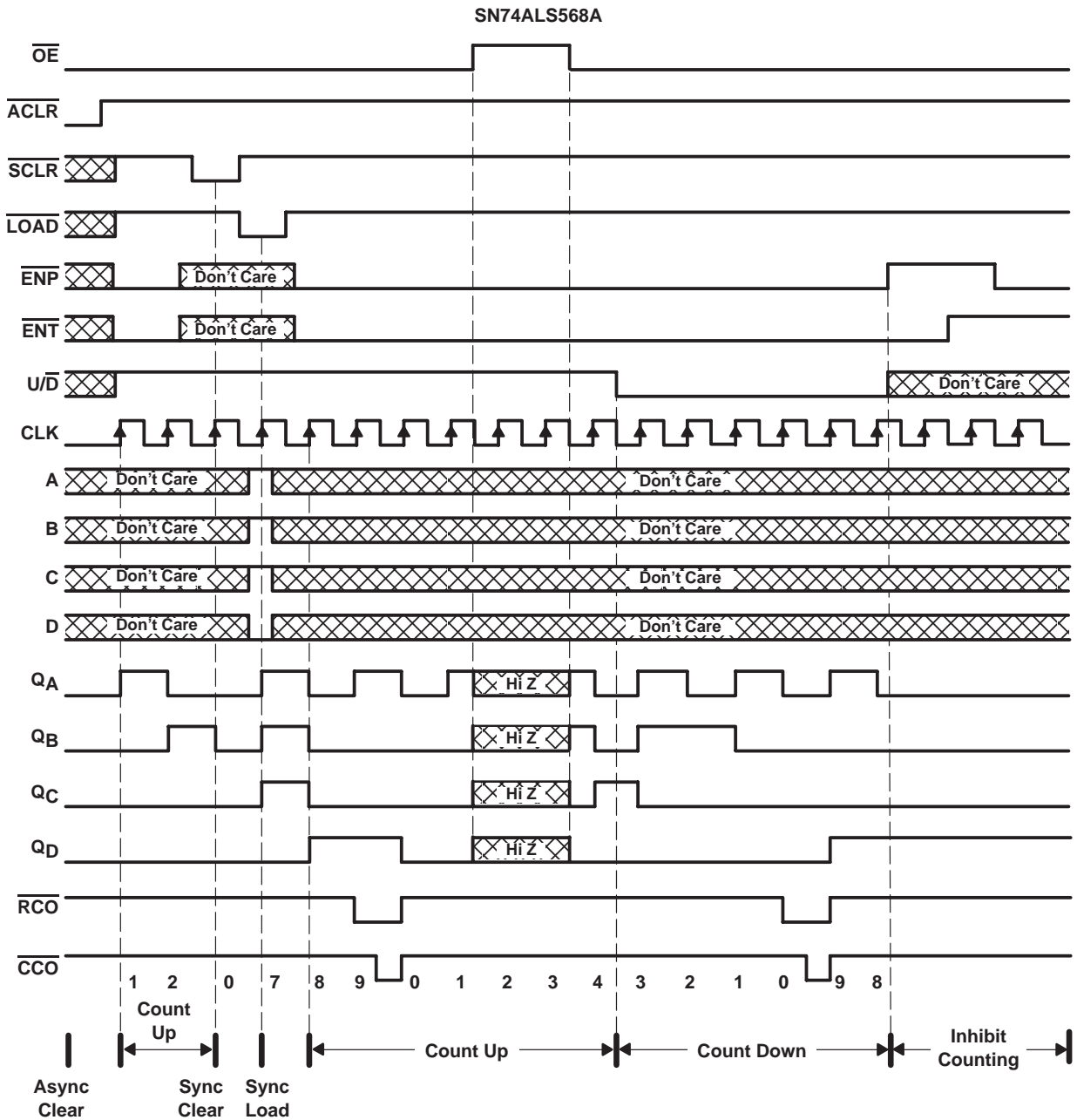
logic diagrams (positive logic) (continued)



SN54ALS569A, SN74ALS568A, SN74ALS569A SYNCHRONOUS 4-BIT UP/DOWN DECADE AND BINARY COUNTERS WITH 3-STATE OUTPUTS

SDAS229A – APRIL 1982 – REVISED JANUARY 1995

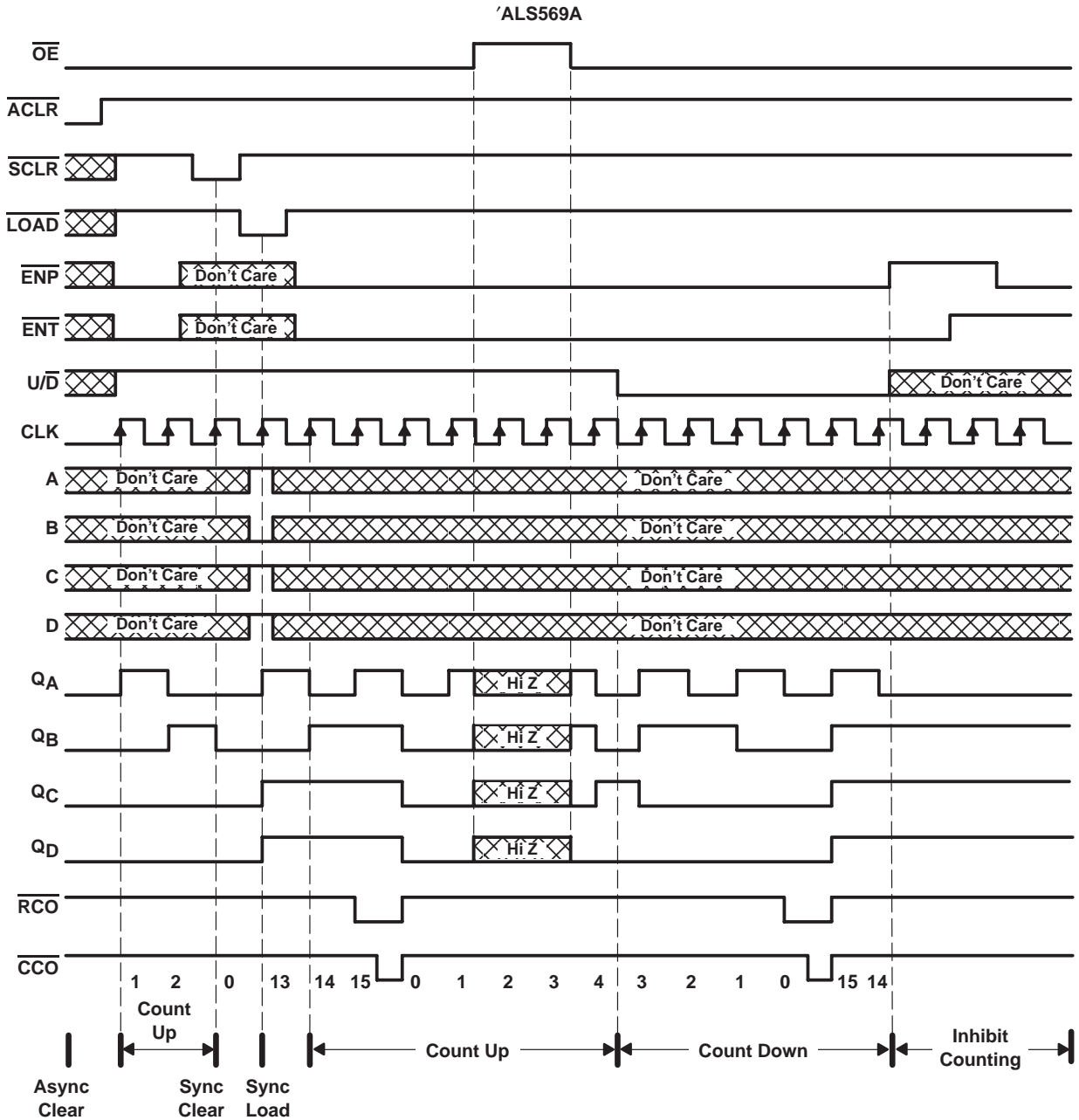
typical load, count, and inhibit sequences



SN54ALS569A, SN74ALS568A, SN74ALS569A SYNCHRONOUS 4-BIT UP/DOWN DECADE AND BINARY COUNTERS WITH 3-STATE OUTPUTS

SDAS229A – APRIL 1982 – REVISED JANUARY 1995

typical load, count, and inhibit sequences (continued)



SN54ALS569A, SN74ALS568A, SN74ALS569A SYNCHRONOUS 4-BIT UP/DOWN DECADE AND BINARY COUNTERS WITH 3-STATE OUTPUTS

SDAS229A – APRIL 1982 – REVISED JANUARY 1995

absolute maximum ratings over operating free-air temperature range (unless otherwise noted)†

| | |
|---|----------------|
| Supply voltage, V_{CC} | 7 V |
| Input voltage, V_I | 7 V |
| Voltage applied to a disabled 3-state output | 5.5 V |
| Operating free-air temperature range, T_A : SN54ALS569A | –55°C to 125°C |
| SN74ALS568A, SN74ALS569A | 0°C to 70°C |
| Storage temperature range | –65°C to 150°C |

† Stresses beyond those listed under “absolute maximum ratings” may cause permanent damage to the device. These are stress ratings only, and functional operation of the device at these or any other conditions beyond those indicated under “recommended operating conditions” is not implied. Exposure to absolute-maximum-rated conditions for extended periods may affect device reliability.

recommended operating conditions

| | | SN54ALS569A | | | SN74ALS568A SN74ALS569A | | | UNIT |
|------------------|---|--|-----------------|------|----------------------------|-----|-----|------|
| | | MIN | NOM | MAX | MIN | NOM | MAX | |
| V_{CC} | Supply voltage | 4.5 | 5 | 5.5 | 4.5 | 5 | 5.5 | V |
| V_{IH} | High-level input voltage | 2 | | | 2 | | | V |
| V_{IL} | Low-level input voltage | | | 0.7 | | | 0.8 | V |
| I_{OH} | High-level output current | Q outputs | | –1 | –2.6 | | mA | |
| | | \overline{CCO} and \overline{RCO} | | –0.4 | –0.4 | | | |
| I_{OL} | Low-level output current | Q outputs | | 12 | 24 | | mA | |
| | | \overline{CCO} and \overline{RCO} | | 4 | 8 | | | |
| f_{clock} | Clock frequency | SN74ALS568A | | | 0 | 20 | MHz | |
| | | 'ALS569A | | 0 | 22 | 30 | | |
| t_w | Pulse duration | \overline{ACLR} or \overline{LOAD} low | | 20 | 15 | | ns | |
| | | SN74ALS568A | CLK high | | 25 | | | |
| | | | CLK low | | 25 | | | |
| | | 'ALS569A | CLK high | 20 | 16.5 | | | |
| CLK low | 23 | | 16.5 | | | | | |
| t_{su} | Setup time before $CLK\uparrow$ | Data at A, B, C, D | | 25 | 20 | | ns | |
| | | \overline{ENP} , \overline{ENT} | High | 35 | 30 | | | |
| | | | Low | 25 | 20 | | | |
| | | \overline{SCLR} | Low | 20 | 15 | | | |
| | | | High (inactive) | 35 | 30 | | | |
| | | \overline{LOAD} | Low | 20 | 15 | | | |
| | | | High (inactive) | 35 | 30 | | | |
| $\overline{U/D}$ | | 35 | 30 | | | | | |
| | \overline{ACLR} inactive | | 10 | 10 | | | | |
| t_h | Hold time after $CLK\uparrow$ for any input | | 0 | 0 | | ns | | |
| T_A | Operating free-air temperature | –55 | | 125 | 0 | 70 | °C | |

SN54ALS569A, SN74ALS568A, SN74ALS569A
SYNCHRONOUS 4-BIT UP/DOWN DECADE AND BINARY COUNTERS
WITH 3-STATE OUTPUTS

SDAS229A – APRIL 1982 – REVISED JANUARY 1995

electrical characteristics over recommended operating free-air temperature range (unless otherwise noted)

| PARAMETER | | TEST CONDITIONS | | SN54ALS569A | | SN74ALS568A SN74ALS569A | | UNIT | |
|-----------------|---------------------------------------|--|------------------|-------------------------|------|----------------------------|------|---------------|------|
| | | | | MIN | TYP† | MAX | MIN | | TYP† |
| V_{IK} | | $V_{CC} = 4.5\text{ V}$, $I_I = -18\text{ mA}$ | | -1.5 | | -1.5 | | V | |
| V_{OH} | All outputs | $V_{CC} = 4.5\text{ V to } 5.5\text{ V}$, $I_{OH} = -0.4\text{ mA}$ | | $V_{CC} - 2$ | | $V_{CC} - 2$ | | V | |
| | Q outputs | $V_{CC} = 4.5\text{ V}$ | | 2.4 | 3.3 | 2.4 | 3.2 | | |
| V_{OL} | Q outputs | $V_{CC} = 4.5\text{ V}$ | | $I_{OL} = 12\text{ mA}$ | | 0.25 | 0.4 | 0.25 | 0.4 |
| | | | | $I_{OL} = 24\text{ mA}$ | | | | 0.35 | 0.5 |
| | \overline{CCO} and \overline{RCO} | $V_{CC} = 4.5\text{ V}$ | | $I_{OL} = 4\text{ mA}$ | | 0.25 | 0.4 | 0.25 | 0.4 |
| | | | | $I_{OL} = 8\text{ mA}$ | | | | 0.35 | 0.5 |
| I_{OZH} | | $V_{CC} = 5.5\text{ V}$, $V_O = 2.7\text{ V}$ | | 20 | | 20 | | μA | |
| I_{OZL} | | $V_{CC} = 5.5\text{ V}$, $V_O = 0.4\text{ V}$ | | -20 | | -20 | | μA | |
| I_I | | $V_{CC} = 5.5\text{ V}$, $V_I = 7\text{ V}$ | | 0.1 | | 0.1 | | mA | |
| I_{IH} | | $V_{CC} = 5.5\text{ V}$, $V_I = 2.7\text{ V}$ | | 20 | | 20 | | μA | |
| I_{IL} | | $V_{CC} = 5.5\text{ V}$, $V_I = 0.4\text{ V}$ | | -0.2 | | -0.2 | | mA | |
| $I_{O\ddagger}$ | \overline{CCO} and \overline{RCO} | $V_{CC} = 5.5\text{ V}$, $V_O = 2.25\text{ V}$ | | -15 | -70 | -15 | -70 | mA | |
| | Q outputs | | | -20 | -112 | -30 | -112 | | |
| I_{CC} | $V_{CC} = 5.5\text{ V}$ | | Outputs high | | 16 | 26 | 16 | 26 | mA |
| | | | Outputs low | | 20 | 32 | 20 | 32 | |
| | | | Outputs disabled | | 20 | 32 | 20 | 32 | |

† All typical values are at $V_{CC} = 5\text{ V}$, $T_A = 25^\circ\text{C}$.

‡ The output conditions have been chosen to produce a current that closely approximates one half of the true short-circuit output current, I_{OS} .

SN54ALS569A, SN74ALS568A, SN74ALS569A
SYNCHRONOUS 4-BIT UP/DOWN DECADE AND BINARY COUNTERS
WITH 3-STATE OUTPUTS

SDAS229A – APRIL 1982 – REVISED JANUARY 1995

switching characteristics (see Figure 1)

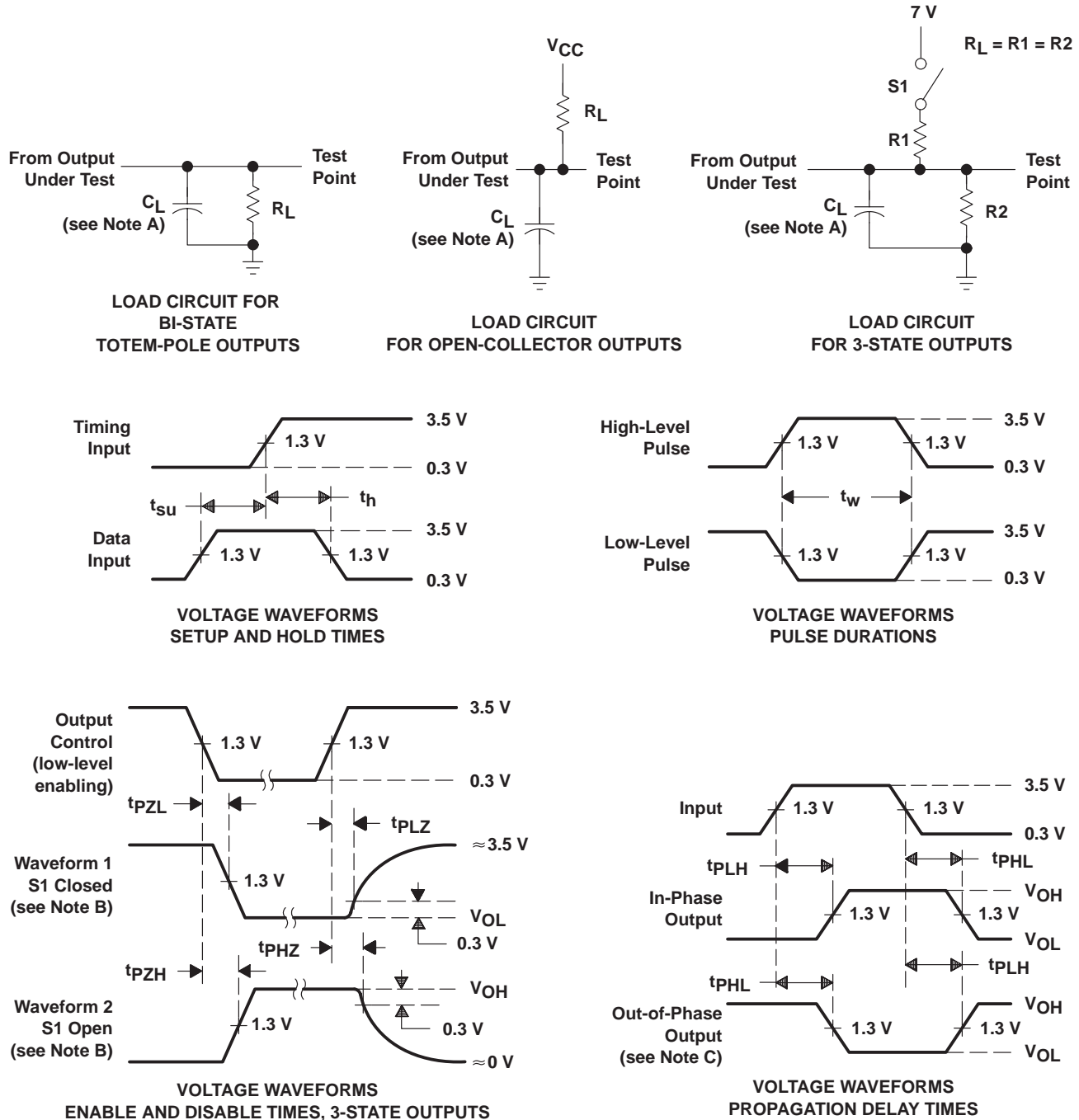
| PARAMETER | FROM (INPUT) | TO (OUTPUT) | V _{CC} = 4.5 V to 5.5 V, C _L = 50 pF, R ₁ = 500 Ω, R ₂ = 500 Ω, T _A = MIN to MAX† | | | | UNIT |
|------------------|-------------------|------------------|--|-----|----------------------------|-----|------|
| | | | SN54ALS569A | | SN74ALS568A SN74ALS569A | | |
| | | | MIN | MAX | MIN | MAX | |
| f _{max} | SN74ALS568A | | | | 20 | MHz | |
| | 'ALS569A | | 22 | 30 | | | |
| t _{PLH} | CLK | Any Q | 4 | 21 | 4 | 13 | ns |
| t _{PHL} | | | 7 | 19 | 7 | 16 | |
| t _{PLH} | CLK | \overline{RCO} | 12 | 37 | 12 | 28 | ns |
| t _{PHL} | | | 10 | 28 | 10 | 19 | |
| t _{PLH} | CLK | \overline{CCO} | 5 | 17 | 5 | 13 | ns |
| t _{PHL} | | | 6 | 30 | 6 | 25 | |
| t _{PLH} | U/ \overline{D} | \overline{RCO} | 9 | 31 | 9 | 23 | ns |
| t _{PHL} | | | 9 | 33 | 9 | 19 | |
| t _{PLH} | \overline{ENT} | \overline{RCO} | 6 | 21 | 6 | 15 | ns |
| t _{PHL} | | | 4 | 20 | 4 | 13 | |
| t _{PLH} | \overline{ENT} | \overline{CCO} | 5 | 18 | 5 | 13 | ns |
| t _{PHL} | | | 9 | 32 | 9 | 23 | |
| t _{PLH} | \overline{ENP} | \overline{CCO} | 4 | 18 | 4 | 12 | ns |
| t _{PHL} | | | 5 | 18 | 5 | 14 | |
| t _{PHL} | \overline{ACLR} | Any Q | 9 | 25 | 9 | 20 | ns |
| t _{PZH} | \overline{OE} | Any Q | 6 | 23 | 6 | 18 | ns |
| t _{PZL} | | | 6 | 29 | 6 | 24 | |
| t _{PHZ} | \overline{OE} | Any Q | 1 | 12 | 1 | 10 | ns |
| t _{PLZ} | | | 3 | 29 | 3 | 13 | |

† For conditions shown as MIN or MAX, use the appropriate value specified under recommended operating conditions.

SN54ALS569A, SN74ALS568A, SN74ALS569A SYNCHRONOUS 4-BIT UP/DOWN DECADE AND BINARY COUNTERS WITH 3-STATE OUTPUTS

SDAS229A – APRIL 1982 – REVISED JANUARY 1995

PARAMETER MEASUREMENT INFORMATION SERIES 54ALS/74ALS AND 54AS/74AS DEVICES



- NOTES: A. C_L includes probe and jig capacitance.
 B. Waveform 1 is for an output with internal conditions such that the output is low except when disabled by the output control. Waveform 2 is for an output with internal conditions such that the output is high except when disabled by the output control.
 C. When measuring propagation delay items of 3-state outputs, switch S1 is open.
 D. All input pulses have the following characteristics: $PRR \leq 1$ MHz, $t_r = t_f = 2$ ns, duty cycle = 50%.
 E. The outputs are measured one at a time with one transition per measurement.

Figure 1. Load Circuits and Voltage Waveforms

PACKAGING INFORMATION

| Orderable Device | Status ⁽¹⁾ | Package Type | Package Drawing | Pins | Package Qty | Eco Plan ⁽²⁾ | Lead/Ball Finish | MSL Peak Temp ⁽³⁾ |
|------------------|-----------------------|--------------|-----------------|------|-------------|-------------------------|------------------|------------------------------|
| 83025022A | ACTIVE | LCCC | FK | 20 | 1 | TBD | Call TI | Level-NC-NC-NC |
| 8302502RA | ACTIVE | CDIP | J | 20 | 1 | TBD | Call TI | Level-NC-NC-NC |
| 8302502SA | ACTIVE | CFP | W | 20 | 1 | TBD | Call TI | Level-NC-NC-NC |
| SN54ALS569AJ | ACTIVE | CDIP | J | 20 | 1 | TBD | Call TI | Level-NC-NC-NC |
| SN74ALS568AN | OBSOLETE | PDIP | N | 20 | | TBD | Call TI | Call TI |
| SN74ALS569ADW | ACTIVE | SOIC | DW | 20 | 25 | Green (RoHS & no Sb/Br) | CU NIPDAU | Level-1-260C-UNLIM |
| SN74ALS569ADWE4 | ACTIVE | SOIC | DW | 20 | 25 | Green (RoHS & no Sb/Br) | CU NIPDAU | Level-1-260C-UNLIM |
| SN74ALS569ADWR | ACTIVE | SOIC | DW | 20 | 2000 | Green (RoHS & no Sb/Br) | CU NIPDAU | Level-1-260C-UNLIM |
| SN74ALS569ADWRE4 | ACTIVE | SOIC | DW | 20 | 2000 | Green (RoHS & no Sb/Br) | CU NIPDAU | Level-1-260C-UNLIM |
| SN74ALS569AN | ACTIVE | PDIP | N | 20 | 20 | Pb-Free (RoHS) | CU NIPDAU | Level-NC-NC-NC |
| SN74ALS569ANE4 | ACTIVE | PDIP | N | 20 | 20 | Pb-Free (RoHS) | CU NIPDAU | Level-NC-NC-NC |
| SN74ALS569ANSR | ACTIVE | SO | NS | 20 | 2000 | Green (RoHS & no Sb/Br) | CU NIPDAU | Level-1-260C-UNLIM |
| SN74ALS569ANSRE4 | ACTIVE | SO | NS | 20 | 2000 | Green (RoHS & no Sb/Br) | CU NIPDAU | Level-1-260C-UNLIM |
| SNJ54ALS569AFK | ACTIVE | LCCC | FK | 20 | 1 | TBD | Call TI | Level-NC-NC-NC |
| SNJ54ALS569AJ | ACTIVE | CDIP | J | 20 | 1 | TBD | Call TI | Level-NC-NC-NC |
| SNJ54ALS569AW | ACTIVE | CFP | W | 20 | 1 | TBD | Call TI | Level-NC-NC-NC |

⁽¹⁾ The marketing status values are defined as follows:

ACTIVE: Product device recommended for new designs.

LIFEBUY: TI has announced that the device will be discontinued, and a lifetime-buy period is in effect.

NRND: Not recommended for new designs. Device is in production to support existing customers, but TI does not recommend using this part in a new design.

PREVIEW: Device has been announced but is not in production. Samples may or may not be available.

OBSOLETE: TI has discontinued the production of the device.

⁽²⁾ Eco Plan - The planned eco-friendly classification: Pb-Free (RoHS) or Green (RoHS & no Sb/Br) - please check <http://www.ti.com/productcontent> for the latest availability information and additional product content details.

TBD: The Pb-Free/Green conversion plan has not been defined.

Pb-Free (RoHS): TI's terms "Lead-Free" or "Pb-Free" mean semiconductor products that are compatible with the current RoHS requirements for all 6 substances, including the requirement that lead not exceed 0.1% by weight in homogeneous materials. Where designed to be soldered at high temperatures, TI Pb-Free products are suitable for use in specified lead-free processes.

Green (RoHS & no Sb/Br): TI defines "Green" to mean Pb-Free (RoHS compatible), and free of Bromine (Br) and Antimony (Sb) based flame retardants (Br or Sb do not exceed 0.1% by weight in homogeneous material)

⁽³⁾ MSL, Peak Temp. -- The Moisture Sensitivity Level rating according to the JEDEC industry standard classifications, and peak solder temperature.

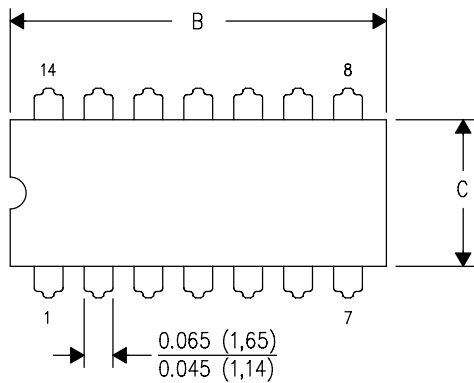
Important Information and Disclaimer:The information provided on this page represents TI's knowledge and belief as of the date that it is provided. TI bases its knowledge and belief on information provided by third parties, and makes no representation or warranty as to the accuracy of such information. Efforts are underway to better integrate information from third parties. TI has taken and continues to take reasonable steps to provide representative and accurate information but may not have conducted destructive testing or chemical analysis on incoming materials and chemicals. TI and TI suppliers consider certain information to be proprietary, and thus CAS numbers and other limited information may not be available for release.

In no event shall TI's liability arising out of such information exceed the total purchase price of the TI part(s) at issue in this document sold by TI to Customer on an annual basis.

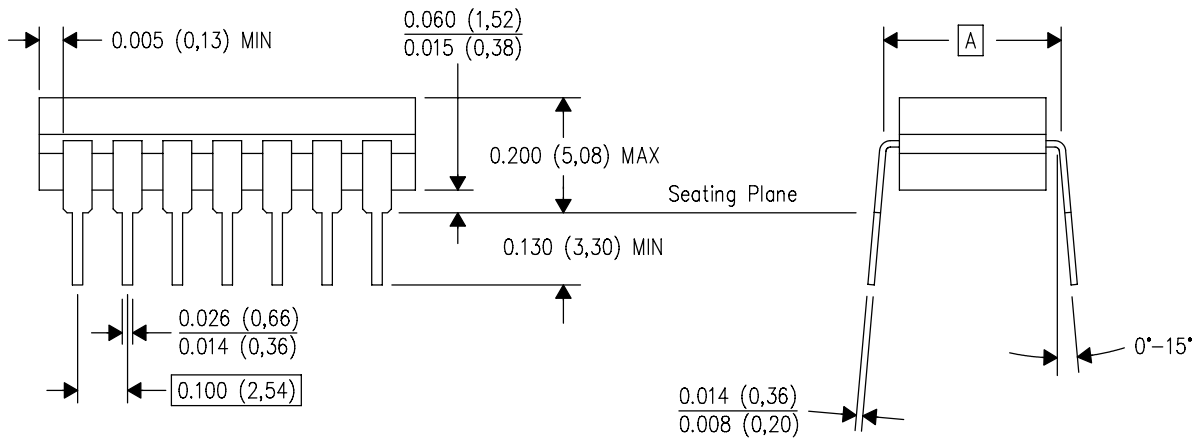
J (R-GDIP-T**)

14 LEADS SHOWN

CERAMIC DUAL IN-LINE PACKAGE



| DIM \ PINS ** | 14 | 16 | 18 | 20 |
|---------------|------------------------|------------------------|------------------------|------------------------|
| A | 0.300 (7,62) BSC | 0.300 (7,62) BSC | 0.300 (7,62) BSC | 0.300 (7,62) BSC |
| B MAX | 0.785 (19,94) | .840 (21,34) | 0.960 (24,38) | 1.060 (26,92) |
| B MIN | — | — | — | — |
| C MAX | 0.300 (7,62) | 0.300 (7,62) | 0.310 (7,87) | 0.300 (7,62) |
| C MIN | 0.245 (6,22) | 0.245 (6,22) | 0.220 (5,59) | 0.245 (6,22) |



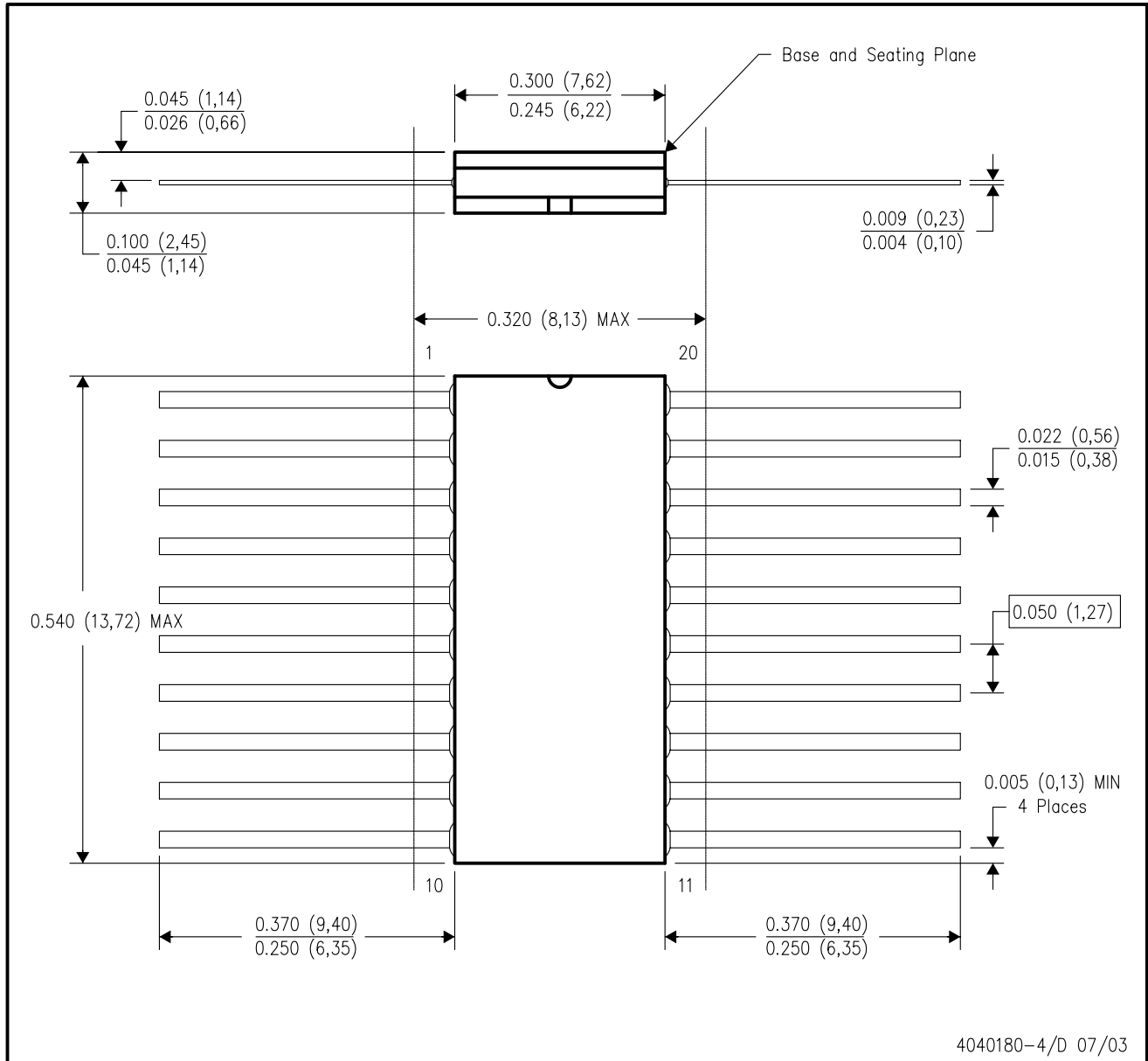
4040083/F 03/03

- NOTES:
- A. All linear dimensions are in inches (millimeters).
 - B. This drawing is subject to change without notice.
 - C. This package is hermetically sealed with a ceramic lid using glass frit.
 - D. Index point is provided on cap for terminal identification only on press ceramic glass frit seal only.
 - E. Falls within MIL STD 1835 GDIP1-T14, GDIP1-T16, GDIP1-T18 and GDIP1-T20.

MECHANICAL DATA

W (R-GDFP-F20)

CERAMIC DUAL FLATPACK



4040180-4/D 07/03

- NOTES:
- A. All linear dimensions are in inches (millimeters).
 - B. This drawing is subject to change without notice.
 - C. This package can be hermetically sealed with a ceramic lid using glass frit.
 - D. Index point is provided on cap for terminal identification only.
 - E. Falls within Mil-Std 1835 GDFP2-F20

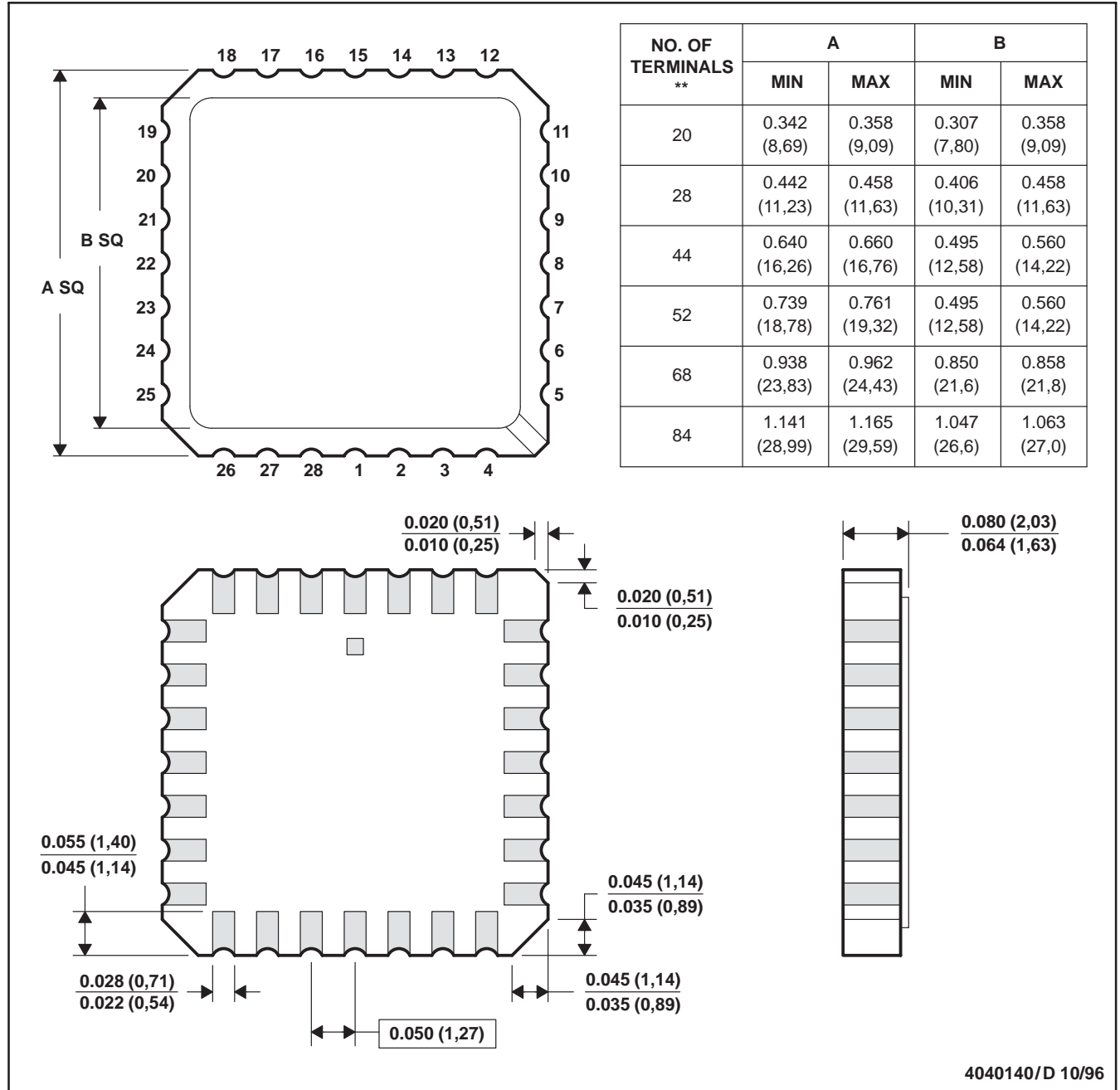
MECHANICAL DATA

MLCC006B – OCTOBER 1996

FK (S-CQCC-N**)

LEADLESS CERAMIC CHIP CARRIER

28 TERMINAL SHOWN



- NOTES:
- A. All linear dimensions are in inches (millimeters).
 - B. This drawing is subject to change without notice.
 - C. This package can be hermetically sealed with a metal lid.
 - D. The terminals are gold plated.
 - E. Falls within JEDEC MS-004

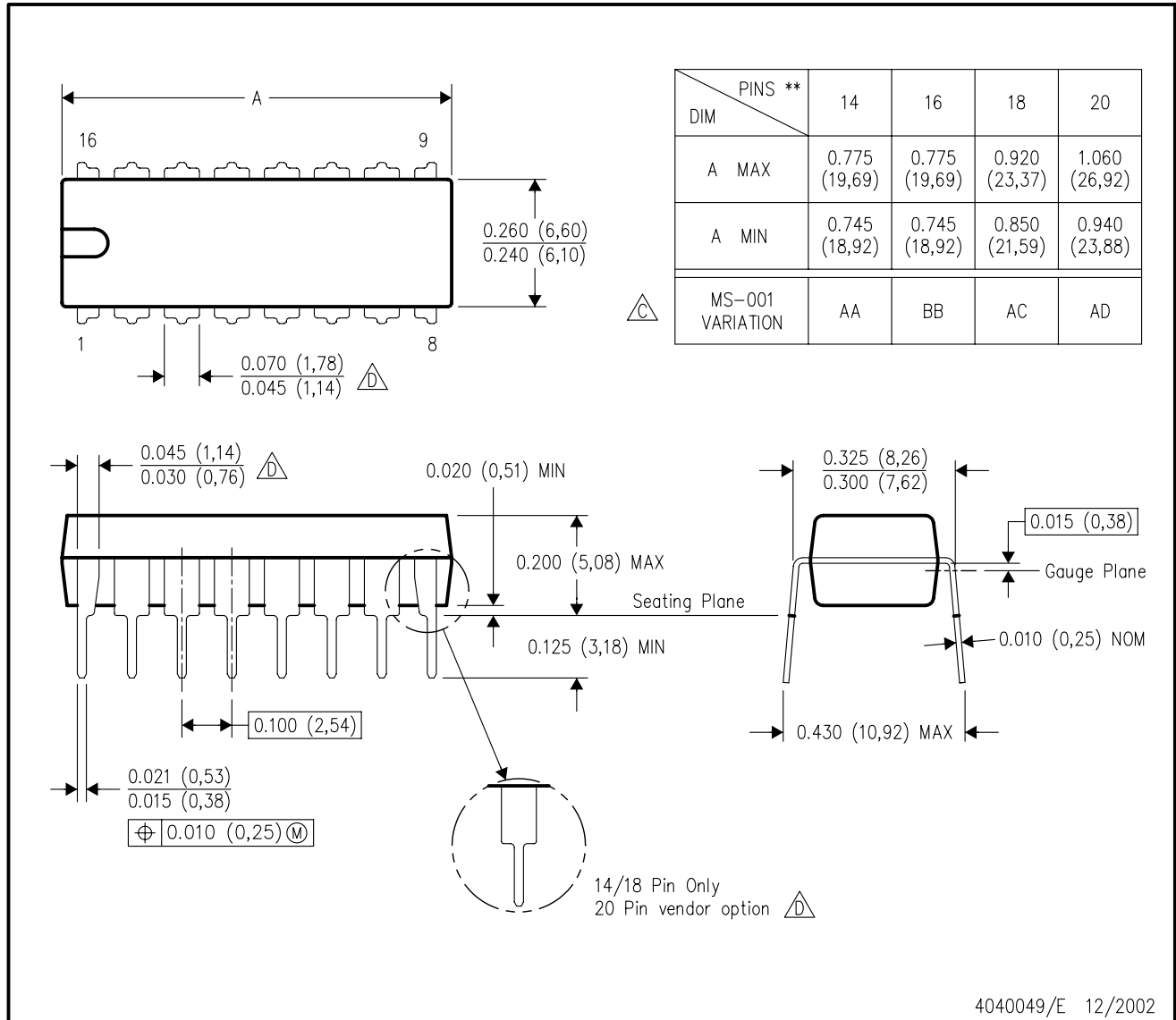
4040140/D 10/96

MECHANICAL DATA

N (R-PDIP-T**)

16 PINS SHOWN

PLASTIC DUAL-IN-LINE PACKAGE



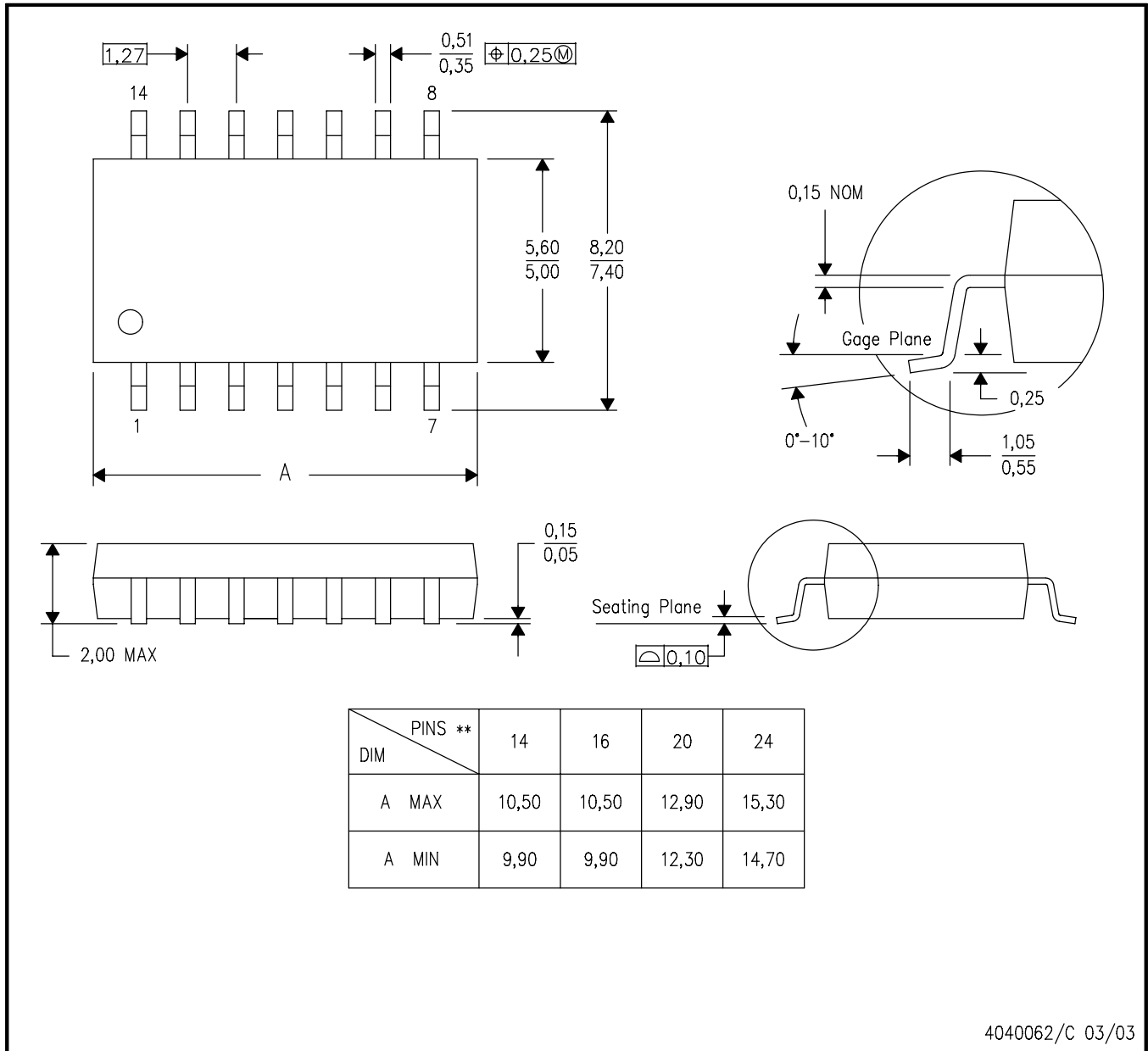
- NOTES:
- A. All linear dimensions are in inches (millimeters).
 - B. This drawing is subject to change without notice.
 - Falls within JEDEC MS-001, except 18 and 20 pin minimum body length (Dim A).
 - The 20 pin end lead shoulder width is a vendor option, either half or full width.

MECHANICAL DATA

NS (R-PDSO-G)**

PLASTIC SMALL-OUTLINE PACKAGE

14-PINS SHOWN



4040062/C 03/03

- NOTES:
- A. All linear dimensions are in millimeters.
 - B. This drawing is subject to change without notice.
 - C. Body dimensions do not include mold flash or protrusion, not to exceed 0,15.

IMPORTANT NOTICE

Texas Instruments Incorporated and its subsidiaries (TI) reserve the right to make corrections, modifications, enhancements, improvements, and other changes to its products and services at any time and to discontinue any product or service without notice. Customers should obtain the latest relevant information before placing orders and should verify that such information is current and complete. All products are sold subject to TI's terms and conditions of sale supplied at the time of order acknowledgment.

TI warrants performance of its hardware products to the specifications applicable at the time of sale in accordance with TI's standard warranty. Testing and other quality control techniques are used to the extent TI deems necessary to support this warranty. Except where mandated by government requirements, testing of all parameters of each product is not necessarily performed.

TI assumes no liability for applications assistance or customer product design. Customers are responsible for their products and applications using TI components. To minimize the risks associated with customer products and applications, customers should provide adequate design and operating safeguards.

TI does not warrant or represent that any license, either express or implied, is granted under any TI patent right, copyright, mask work right, or other TI intellectual property right relating to any combination, machine, or process in which TI products or services are used. Information published by TI regarding third-party products or services does not constitute a license from TI to use such products or services or a warranty or endorsement thereof. Use of such information may require a license from a third party under the patents or other intellectual property of the third party, or a license from TI under the patents or other intellectual property of TI.

Reproduction of information in TI data books or data sheets is permissible only if reproduction is without alteration and is accompanied by all associated warranties, conditions, limitations, and notices. Reproduction of this information with alteration is an unfair and deceptive business practice. TI is not responsible or liable for such altered documentation.

Resale of TI products or services with statements different from or beyond the parameters stated by TI for that product or service voids all express and any implied warranties for the associated TI product or service and is an unfair and deceptive business practice. TI is not responsible or liable for any such statements.

Following are URLs where you can obtain information on other Texas Instruments products and application solutions:

| Products | | Applications | |
|------------------|--|---------------------|--|
| Amplifiers | amplifier.ti.com | Audio | www.ti.com/audio |
| Data Converters | dataconverter.ti.com | Automotive | www.ti.com/automotive |
| DSP | dsp.ti.com | Broadband | www.ti.com/broadband |
| Interface | interface.ti.com | Digital Control | www.ti.com/digitalcontrol |
| Logic | logic.ti.com | Military | www.ti.com/military |
| Power Mgmt | power.ti.com | Optical Networking | www.ti.com/opticalnetwork |
| Microcontrollers | microcontroller.ti.com | Security | www.ti.com/security |
| | | Telephony | www.ti.com/telephony |
| | | Video & Imaging | www.ti.com/video |
| | | Wireless | www.ti.com/wireless |

Mailing Address: Texas Instruments
Post Office Box 655303 Dallas, Texas 75265