

EJS Series



UL Recognized
CSA Certified
VDE Approved

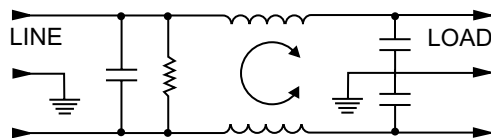


EJS Series

The new EJS series is the next generation of power inlet filters. The 1-15 amp versions are snap-in mounted and mechanically equivalent to the EAS/EBS series. The performance has been enhanced to better meet the needs for more attenuation. The EJS series also has an extended metal flange around the socket for improved high frequency EMI shielding as well as a larger contact area for the panel ground.

The EJS series also includes a 20 amp version that uses the inlet IEC 320/C20. This product was designed to keep up with the demand for higher current equipment. Applications include higher current power supplies and computing equipment, which consist of work stations, base stations, servers, etc.

Electrical Schematic



Resistor location for reference only.

Specifications

Maximum leakage current, each line-to-ground	
@ 120 VAC 60 Hz:	.22mA
@ 250 VAC 50 Hz:	.38mA
Hipot rating (one minute):	
line-to-ground	1500 VAC
line-to-line	1450 VDC
Operating frequency:	50/60 Hz
Rated voltage (max.):	250 VAC
Minimum insertion loss in dB:	
Line-to-ground in 50 ohm circuit	

Current Rating	Frequency-MHz								
	.01	.05	.1	.15	.5	1	5	10	30
1A	15	27	32	37	44	52	50	50	50
3A	-	10	15	20	30	39	48	50	60
6A	-	1	5	9	21	28	41	44	54
10A	-	1	4	7	14	18	31	36	51
15A	-	-	-	2	5	8	21	26	40
20A	-	-	3	5	14	21	30	33	42

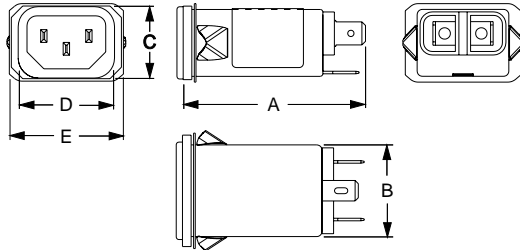
Line-to-line in 50 ohm circuit

Current Rating	Frequency-MHz								
	.01	.05	.1	.15	.5	1	5	10	30
1A	-	-	5	8	19	27	45	43	9
3A	-	-	5	8	17	20	39	42	11
6A	-	-	5	8	17	21	32	40	16
10A	-	-	5	8	17	21	23	36	16
15A	-	-	5	8	17	23	33	30	11
20A	-	-	5	2	17	25	27	35	48

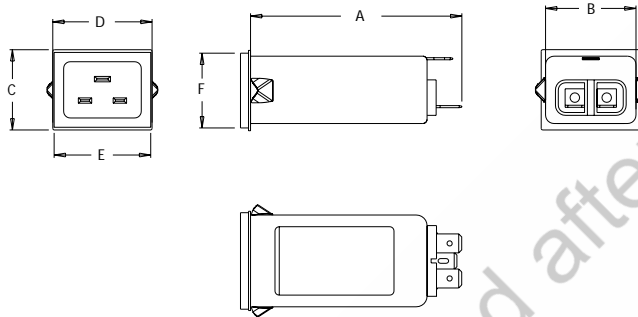
EJS Series

Case Styles

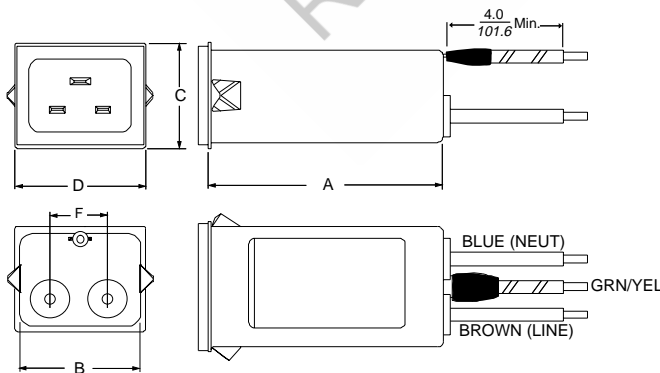
EJS1 (1-15 amp versions)



20EJS1



20EJS8



Case Dimensions

Part No.	A (max)	B (max)	C (max)	D $\pm .015$ $\pm .38$	E (max)	F (ref)
1EJS1, 3EJS1	2.20	1.10	0.96	1.19	1.35	—
6EJS1, 10EJS1 15EJS1	55.88	27.94	24.38	30.10	34.21	—
20EJS1	3.13	1.35	1.18	1.46	1.42	1.10
	79.38	34.29	29.99	37.08	36.07	27.94
20EJS8	2.63	1.35	1.18	1.46	—	.624
	66.80	34.29	29.97	37.08	—	15.85

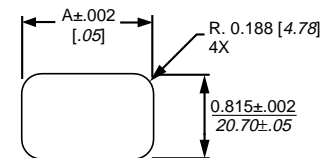
Part Numbers

1EJS1 3EJS1 6EJS1	10EJS1 15EJS1 20EJS1* 20EJS8*
Line Cord No. (1-15A)	GA400
Insulating Boot (1-15A)	FA601

*UL, CSA — 20 Amp; VDE — 16 Amp

Recommended Panel Cutouts

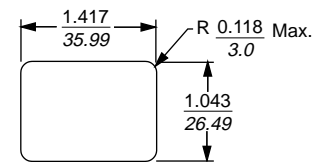
1 to 15A EJS - all terminal types



Panel Cutout (front mount)

Panel Thickness	A Dim. ±.002
0.031 - 0.052 [.79 - 1.32]	1.260 [32.00]
0.046 - 0.068 [1.17 - 1.73]	1.350 [34.29]

20EJS



Panel Cutout (front mount)

Tolerance ±.005 [0.13]