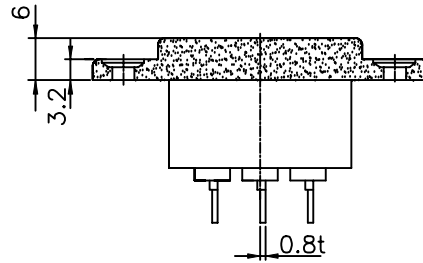
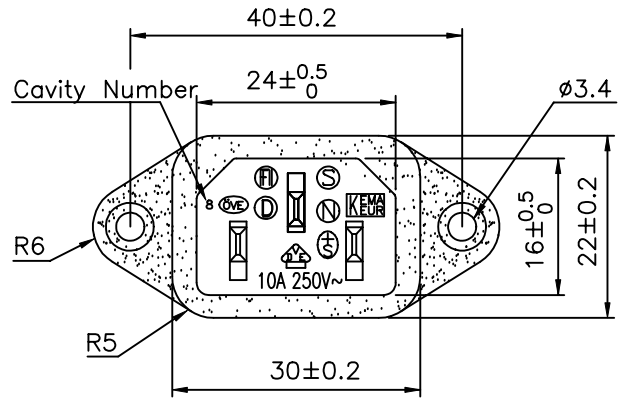
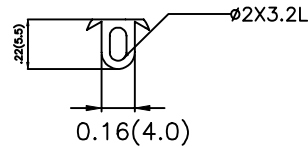
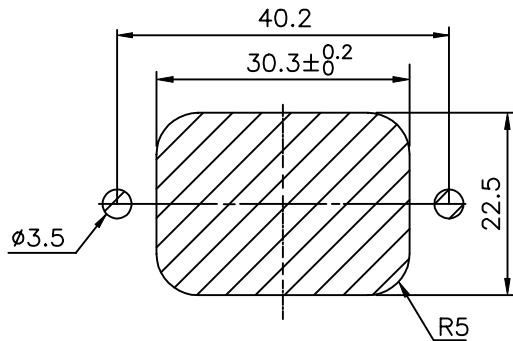
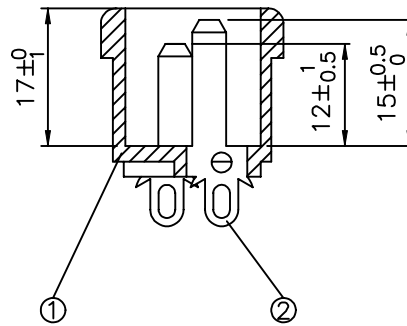
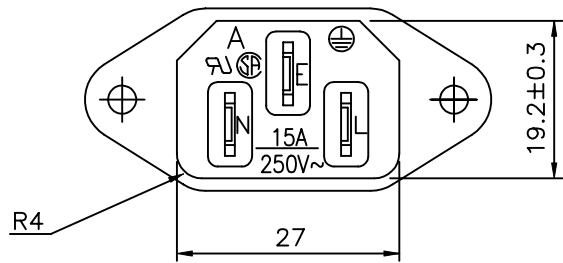


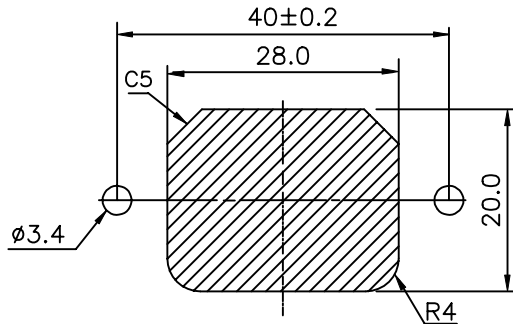
		Revision	
Rev.	Description	Date	Approved



Material:  
Housing: Thermoplastic UL 94V0 Flamability Rating  
Terminal: Copper Alloy  
Characteristics:  
Rating: 10A 250V AC / 15A 250V AC  
Insulation Resistance: Over 100 OHM 500V DC  
Dielectric Strength: 2000V AC One Minute  
Approvals:  
UL, CSA, VDE, SEV, FIMKO, SEMKO, DEMKO, NEMKO  
KEMA, OVE  
Countersink 4.0mm  
703WCN



Mounting inlet flange at back of cover.



Mounting inlet flange at front of cover.

2	Contact PIN Brass Strip t=2mm Tin-Plated	2		
1	Body Insulator PBT 420-SEO Black Color	1		
Dim range (mm)	Tolerance +/- (mm)	Qualtek Electronics Corp. PPC DIVISION		
		Part Number: 703W-00/06		
0-1	0.15	Description:		
1-6	0.20	AC INLET RIVET/SCREW MOUNTING		
6-18	0.30	Unit: mm	Rev A	
18-50	0.50			
50-120	0.70	Drawn/Date	Checked/Date	Approved/Date
120-250	0.90	B.ZHANG	PC/08-19-04	JJH/08-19-04
250-500	1.20	08-19-04		