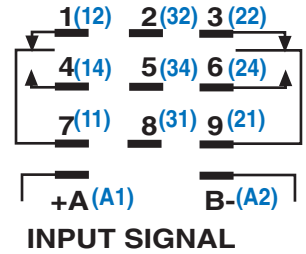


DPDT, 12 AMPS

WIRING DIAGRAM
(VIEWED FROM PIN END)



ALTERNATE NEMA
OR IEC () NUMBERS
VIEWED FROM
PIN SIDE

FEATURES

- ELECTRONIC STEERING CIRCUIT
- PERMANENT MAGNETIC LATCH
- INDUSTRY STANDARD BLADE BASE
- LED INDICATORS

BENEFITS

- TOGGLES LOADS ON/OFF (LOAD SHARING)
- HOLDS LAST POSITION INDEFINITELY
- DIRECTLY REPLACES OTHER MANUFACTURES
- VISUALLY INDICATES STEERING DIRECTION

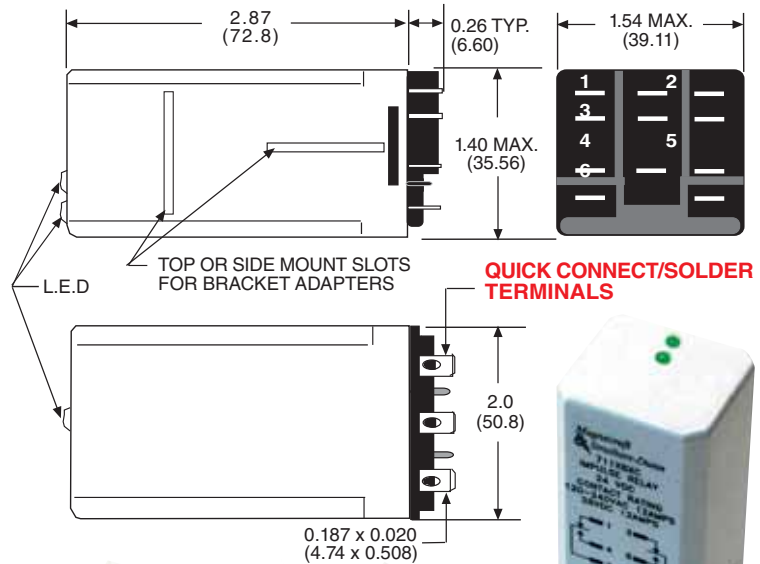
TYPE 711 IS AN ALTERNATING RELAY USED FOR LOAD SHARING OR TOGGING ON / OFF OF ONE LOAD. EACH MOMENTARY PULSE, OR RE - APPLICATION OF INPUT VOLTAGE TOGGLES RELAY CONTACT. ONCE TRANSFERRED RELAY POSITION IS MAINTAINED INDEFINITELY BY INTERNAL MAGNETS.

GENERAL SPECIFICATIONS (@ 25°C)

| | UNITS | |
|--|-------------------------|---------------------------------|
| COIL | | |
| Pull-in Voltage AC (50/60 Hz):≤ | % of nominal | 85 |
| Pull-in Voltage DC:≤ | % of nominal | 85 |
| Dropout Voltage AC (50/60 Hz):≥ | % of nominal | Not applicable |
| Dropout Voltage DC:≥ | % of nominal | Not applicable |
| Maximum Voltage: | % of nominal | 110 |
| Resistance Tolerance: | % ± | 10 |
| Coil Power AC (50/60 Hz): | VA | 1.8 |
| Coil Power DC: | W | 1.8 |
| Insulation System Per UL Standard 1446: Duty: | | Class B (130°C) Intermittent |
| CONTACTS | | |
| Contact Material: | | Silver alloy, gold flashed |
| Contact Rating AC Amperes (AC1): | A | 12 |
| Contact Rating AC Voltage: | V | 240 |
| Contact Rating DC Amperes (DC1): | A | 12 |
| Contact Rating DC Voltage: | V | 28 |
| Horse Power (AC): | HP | 1/3 @ 120 |
| Horse Power (AC): | HP | 1/2 @ 240 |
| Pilot Duty (60 Hz): | | Not applicable |
| Minimum Recommended Load: | ma | 100 @ 5 VDC or 0.5 W |
| TIMING | | |
| Operate Time: | ms | 35 |
| Release Time: | ms | 35 |
| DIELECTRIC STRENGTH | | |
| Coil to Contacts: | V rms | 1500 |
| Across Open Contacts: | V rms | 500 |
| Pole to Pole: | V rms | 1500 |
| Insulation Resistance: | megohms minimum @VDC | 1000 @ 500 |
| TEMPERATURE | | |
| Operating, AC Lower: | °C | -45 |
| Operating, AC Upper: | °C | +70 |
| Operating, DC Lower: | °C | -45 |
| Operating, DC Upper: | °C | +70 |
| Storage, Lower: | °C | -45 |
| Storage, Upper: | °C | +105 |
| LIFE EXPECTANCY | | |
| Electrical @ Rated Load (AC1): | operations | 100,000 |
| Mechanical @ no Load : | operations | 10,000,000 |
| MISCELLANEOUS | | |
| Operating Position: | | Any |
| Insulation Material: | | Molded plastic |
| Enclosure Material: | | Clear Polycarbonate |
| Cover Protection Category: | IP | 40 |
| Weight: | grams | 110 |

OUTLINE DIMENSIONS

DIMENSIONS SHOWN IN INCHES & (MILLIMETERS).



TOP OR SIDE MOUNT BRACKET ADAPTERS

ORDERED AND SHIPPED SEPARATELY



| STANDARD PART NUMBERS | NOMINAL INPUT VOLTAGE |
|----------------------------|-----------------------|
| AC OPERATED, 12 AMP | |
| 711XBXCL-24A | 24 VAC |
| 711XBXCL-120A | 120 VAC |
| DC OPERATED, 12 AMP | |
| 711XBXCL-12D | 12 VDC |
| 711XBXCL-24D | 24 VDC |
| 711XBXCL-110D | 110 VDC |

Mating Socket
70-463-1
See section 7

— FEATURES — — BENEFITS —

11 PIN OCTAL BASE:

16 AMP CONTACT RATING:

PERMANENT MAGNET LATCHING MECHANISM:

EASILY INSTALLED IN EXISTING OR READILY AVAILABLE SOCKETS

ACCOMMODATES MOST CONTROL CIRCUIT LOADS

STAYS IN LAST SET POSITION INDEFINITELY WITH NO EXTERNAL POWER REQUIRED

GENERAL SPECIFICATIONS (@ 25°C)

| | UNITS | |
|---|--------------|--|
| COIL | | |
| Pull-in Voltage AC (50/60 Hz): \leq | % of nominal | 85 |
| Pull-in Voltage DC: \leq | % of nominal | 80 |
| Dropout Voltage AC (50/60 Hz): \geq | % of nominal | Not applicable |
| Dropout Voltage DC: \geq | % of nominal | Not applicable |
| Maximum Voltage: | % of nominal | 500 |
| Resistance Tolerance: | % \pm | 10 |
| Coil Power AC (50/60 Hz): | VA | 2 |
| Coil Power DC: | W | 1.64 |
| Insulation System Per UL Standard 1446: | | Class B (130°C) |
| Duty: | | Single coil Continuous Dual coil intermittent |
| CONTACTS | | |
| Contact Material: | | Silver alloy, gold flashed |
| Contact Rating AC Amperes (AC1): | A | 16 |
| Contact Rating AC Voltage: | V | 240 |
| Contact Rating DC Amperes (DC1): | A | 16 |
| Contact Rating DC Voltage: | V | 28 |
| Horse Power (AC): | HP | 1/3 @ 120 V |
| Horse Power (AC): | HP | 1/2 @ 240 V |
| Pilot Duty (60 Hz): | | Not applicable |
| Minimum Recommended Load: | ma | 100 @ 5 VDC or 0.5 W |
| TIMING | | |
| Operate Time: | ms | 30 |
| Release Time: | ms | 30 |
| DIELECTRIC STRENGTH | | |
| Coil to Contacts: | V rms | 2500 |
| Across Open Contacts: | V rms | 1500 |
| Pole to Pole: | V rms | 2500 |
| Contacts to Frame: | V rms | Not applicable |
| Insulation Resistance: | megohms | 1000 @ 500 minimum @VDC |
| TEMPERATURE | | |
| Operating, AC Lower: | °C | -30 |
| Operating, AC Upper: | °C | +70 |
| Operating, DC Lower: | °C | -30 |
| Operating, DC Upper: | °C | +75 |
| Storage, Lower: | °C | -30 |
| Storage, Upper: | °C | +105 |
| LIFE EXPECTANCY | | |
| Electrical @ Rated Load (AC1): | operations | 100,000 |
| Mechanical @ no Load : | operations | 10,000,000 |
| MISCELLANEOUS | | |
| Operating Position: | | Any |
| Insulation Material: | | Molded plastic |
| Enclosure Material: | | Clear Polycarbonate |
| Cover Protection Category: | IP | 40 |
| Weight: | grams | 170 |

MAGNETIC LATCHING RELAY WITH 11 PIN OCTAL BASE. OPERATES BY PULSED INPUT. PERMANENT MAGNET MAINTAINS LAST POSITION.



755/250ML OCTAL BASE MAGNETIC LATCHING RELAY

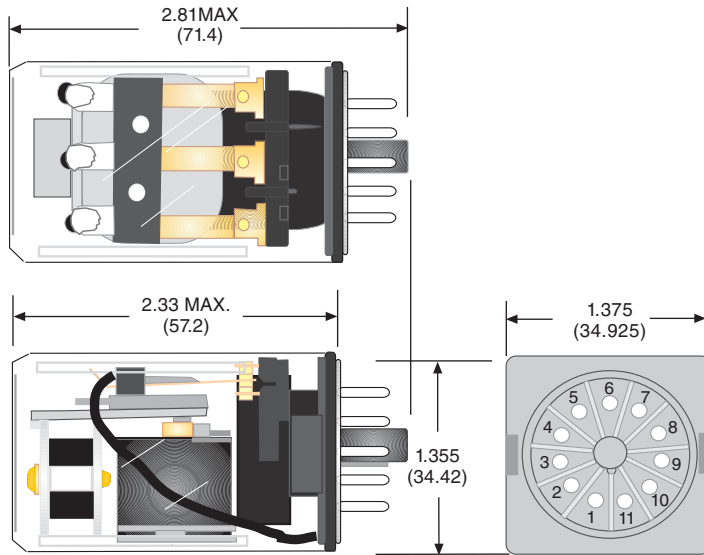


DPDT, 16 AMPS

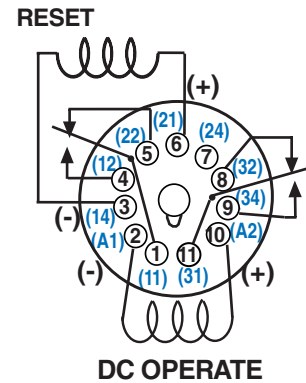
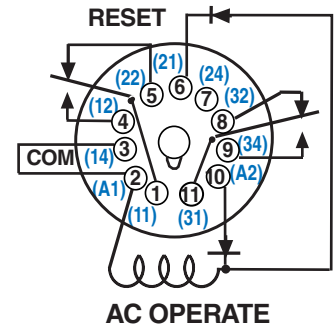
WIRING DIAGRAM
(VIEWED FROM PIN END)

OUTLINE DIMENSIONS

DIMENSIONS SHOWN IN INCHES & (MILLIMETERS).



8 PIN OCTAL BASE
NOT SHOWN



ALTERNATE NEMA
OR IEC () NUMBERS
VIEWED FROM
PIN SIDE



ORDERING CODE

755 **XBXC** **C** **-120A**

CLASS: _____

CONTACT CONFIGURATION:
DPDT: **XBXC**

OPTIONS:
MAGNETIC BLOWOUT: **CODE 69**
SILVER TIN CONTACTS: **CODE 36**

PLAIN COVER: _____
CODE C

DUAL COIL: _____
CODE D (DC ONLY)

SINGLE COIL:
NO CODE

COIL VOLTAGE: _____
6, 12, 24, 120, 220/230, 240 **ADD "A" FOR AC COILS**
6, 12, 24, 48, 110 **ADD "D" FOR DC COILS**

Mating Sockets
70-750D8-1, 70-750D11-1,
70-464-1, 70-465-1: **SCREW/DIN**
70-169-1, 70-170-1: **SCREW/PANEL**
See section 7

| STANDARD PART NUMBERS | | COIL MEASURED @ 25 °C | | |
|--|----------------|-----------------------|----------------------|---------------------------|
| | | NOMINAL INPUT VOLTAGE | OPERATE VOLTAGE MIN. | NOMINAL RESISTANCE (OHMS) |
| AC OPERATED SINGLE COIL, 16 AMP | | | | |
| NEW PART NUMBER | SUPERCEDES | | | |
| 755XBXC-24A | W250AML2CPX-8 | 24 VAC | 19.2 VAC | 740 Ω |
| 755XBXC-120A | W250AML2CPX-9 | 120 VAC | 96 VAC | 10,000 Ω |
| 755XBXC-240A | W250AML2CPX-10 | 240 VAC | 192 VAC | 36,00 Ω |
| DC OPERATED DUAL COIL, 16 AMP | | | | |
| 755XBXCD-12D | W250ML2CPX-6 | 12 VDC | 8.4 VDC | 88/88 Ω |
| 755XBXCD-24D | W250ML2CPX-7 | 24 VDC | 16.7 VDC | 350/350 Ω |
| 755XBXCD-110D | W250ML2CPX-8 | 110 VDC | 77 VDC | 9000/9000 Ω |

RETROFITS IDEC RR2KP-U, SEE END OF SECTION 5 FOR CROSS REFERENCE