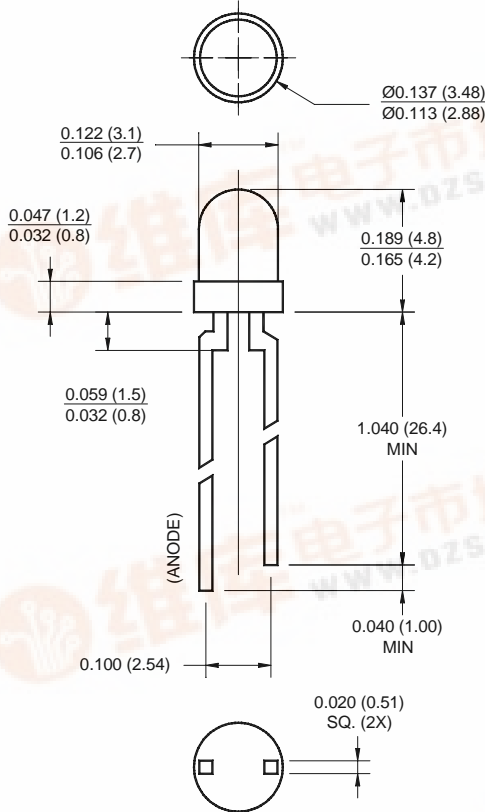


SUPER BRIGHT AlInGaP T-100 (3 mm)

LOW CURRENT LED LAMP - Tinted & Diffused

PACKAGE DIMENSIONS



NOTES:

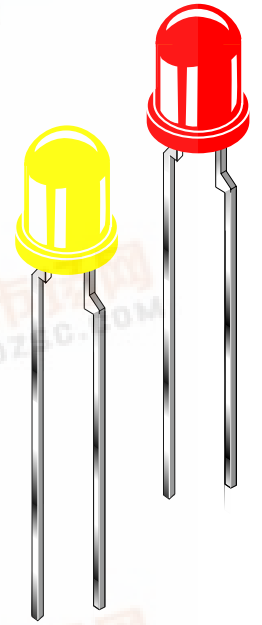
1. Dimensions for all drawings are in inches (mm).
2. Lead spacing is measured where the leads emerge from the package.
3. Protruded resin under the flange is 1.5 mm (0.059") max.

SUPER RED
SUPER YELLOW

HLMP-1700L
HLMP-1719L

FEATURES

- Popular T-100 package with 100 mil. lead spacing
- Super high brightness at low current (2 mA)
- Solid state reliability
- Tinted and diffused
- CMOS and TTL compatible



DESCRIPTION

These T-100 super bright low current lamps have a moderate viewing angle of 50°. The HLMP-17XXL series is made with an AlInGaP LED, which delivers performance, reliability and brightness superior to that of standard products.

ABSOLUTE MAXIMUM RATINGS (T_A = 25°C unless otherwise specified)

Parameter	Symbol	Rating	Unit
Operating Temperature	T _{OPR}	-55 to +100	°C
Storage Temperature	T _{STG}	-55 to +100	°C
Lead Soldering Time	T _{SOL}	260 for 5 sec	°C
Continuous Forward Current	I _F	7.5	mA
Peak Forward Current (f = 1.0 KHz, Duty Factor = 1/10)	I _F	150	mA
Reverse Voltage	V _R	5	V
Power Dissipation	P _D	25	mW

SUPER BRIGHT AlInGaP T-100 (3 mm) LOW CURRENT LED LAMP - Tinted & Diffused

SUPER RED
SUPER YELLOW

HLMP-1700L
HLMP-1719L

ELECTRICAL / OPTICAL CHARACTERISTICS (T_A = 25°C)

Part Number	HLMP-1700L	HLMP-1719L	Condition
Luminous Intensity (mcd)			I _F = 2 mA
Minimum	5	6	
Typical	7.5	9.5	
Forward Voltage (V)			I _F = 2 mA
Maximum	2.4	2.4	
Typical	2.0	2.0	
Wavelength (nm)			I _F = 2 mA
Peak	640	590	
Dominant	631	589	
Spectral Line Half Width (nm)	20	15	I _F = 2 mA
Viewing Angle (°)	50	50	I _F = 2 mA

TYPICAL PERFORMANCE CURVES

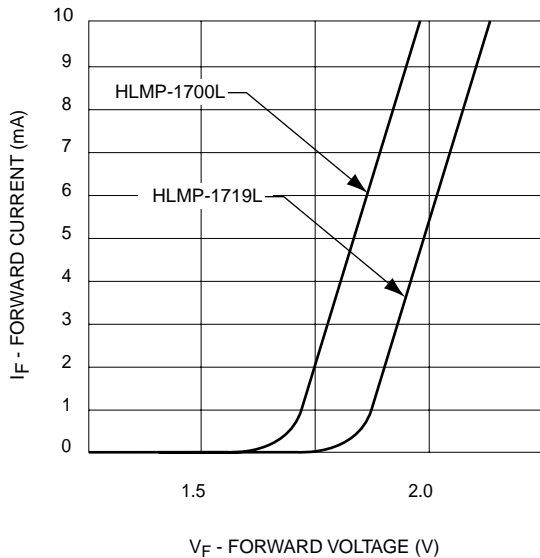


Fig. 1 Forward Current vs. Forward Voltage

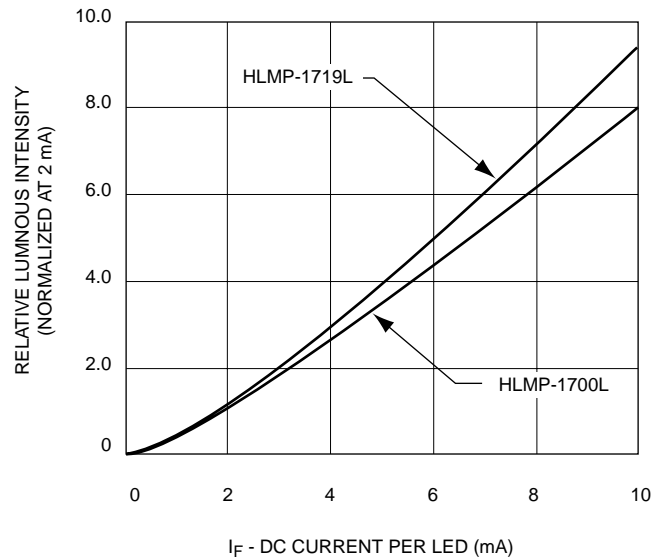


Fig. 2 Relative Luminous Intensity vs. Forward Current

SUPER BRIGHT AlInGaP T-100 (3 mm) LOW CURRENT LED LAMP - Tinted & Diffused

SUPER RED	HLMP-1700L
SUPER YELLOW	HLMP-1719L

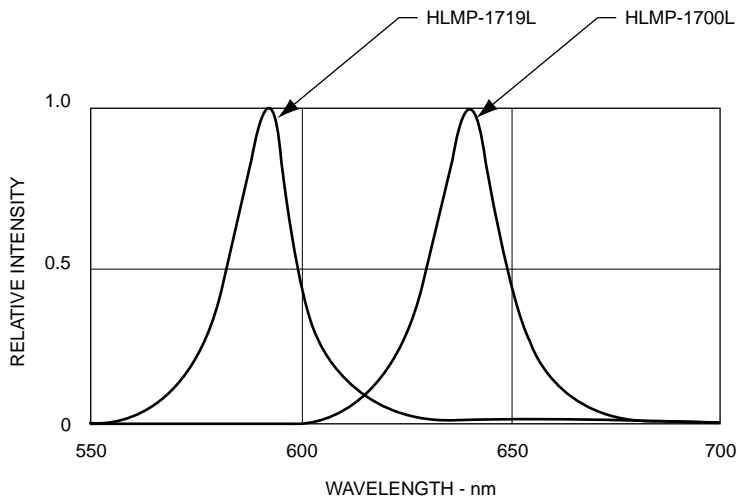


Fig. 3 Relative Intensity vs Peak Wavelength

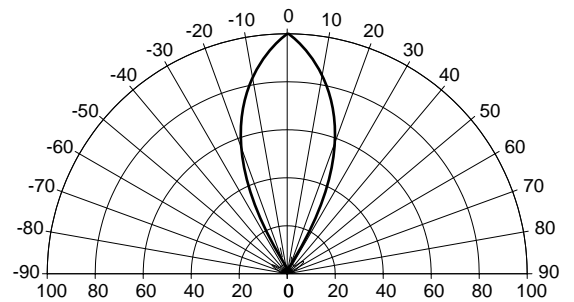


Fig. 4 Radiation Diagram



SUPER BRIGHT AlInGaP T-100 (3 mm)

LOW CURRENT LED LAMP - Tinted & Diffused

DISCLAIMER

FAIRCHILD SEMICONDUCTOR RESERVES THE RIGHT TO MAKE CHANGES WITHOUT FURTHER NOTICE TO ANY PRODUCTS HEREIN TO IMPROVE RELIABILITY, FUNCTION OR DESIGN. FAIRCHILD DOES NOT ASSUME ANY LIABILITY ARISING OUT OF THE APPLICATION OR USE OF ANY PRODUCT OR CIRCUIT DESCRIBED HEREIN; NEITHER DOES IT CONVEY ANY LICENSE UNDER ITS PATENT RIGHTS, NOR THE RIGHTS OF OTHERS.

LIFE SUPPORT POLICY

FAIRCHILD'S PRODUCTS ARE NOT AUTHORIZED FOR USE AS CRITICAL COMPONENTS IN LIFE SUPPORT DEVICES OR SYSTEMS WITHOUT THE EXPRESS WRITTEN APPROVAL OF THE PRESIDENT OF FAIRCHILD SEMICONDUCTOR CORPORATION. As used herein:

1. Life support devices or systems are devices or systems which, (a) are intended for surgical implant into the body, or (b) support or sustain life, and (c) whose failure to perform when properly used in accordance with instructions for use provided in the labeling, can be reasonably expected to result in a significant injury of the user.
2. A critical component in any component of a life support device or system whose failure to perform can be reasonably expected to cause the failure of the life support device or system, or to affect its safety or effectiveness.