

SPECIFICATION

DEVICE NAME : Power MOSFET

TYPE NAME : 2SJ472-01L,S

SPEC. NO. :

Fuji Electric Co.,Ltd.

This Specification is subject to change without notice.

	DATE	NAME	APPROVED	
DRAWN				Fuji Electric Co.,Ltd.
CHECKED				



1.Scope This specifies Fuji Power MOSFET 2SJ472-01L,S

2.Construction P-Channel enhancement mode power MOSFET

3.Applications for Switching

4.Outview K-Pack L-Type : Outview See to 5/13 page
S-Type : Outview See to 6/13 page

5.Absolute Maximum Ratings at Tc=25°C (unless otherwise specified)

Description	Symbol	Characteristics	Unit	Remarks
Drain-Source Voltage	V _{DS}	-30	V	
Continuous Drain Current	I _D	±5	A	
Pulsed Drain Current	I _{DP}	±20	A	
Gate-Source Voltage	V _{GS}	±16	V	
Maximum Avalanche Energy	E _{AV}	191.8	mJ	*1
Maximum Power Dissipation	P _D	15	W	
Operating and Storage	T _{ch}	150	°C	
Temperature range	T _{stg}	-55 to +150	°C	

*1 L=10.23mH,V_{CC}=-12V

6.Electrical Characteristics at Tc=25°C (unless otherwise specified)

Static Ratings

Description	Symbol	Conditions	min.	typ.	max.	Unit
Drain-Source Breakdown Voltage	BV _{DSS}	I _D =-1mA V _{GS} =0V	-30			V
Gate Threshold Voltage	V _{GS(th)}	I _D =-1mA V _{DS} =V _{GS}	-1.0	-1.5	-2.5	V
Zero Gate Voltage Drain Current	I _{DSS}	V _{DS} =-30V V _{GS} =0V		-10	-500	μA
		T _{ch} =25°C				
		T _{ch} =125°C		-0.2	-1.0	mA
Gate-Source Leakage Current	I _{GSS}	V _{GS} =±16V V _{DS} =0V		10	100	nA
Drain-Source On-State Resistance	R _{DS(on)}	I _D =-2.5A		480	850	mΩ
		V _{GS} =-4V				
		V _{GS} =-10V		210	400	mΩ

Dynamic Ratings

Description	Symbol	Conditions	min.	typ.	max.	Unit
Forward Transconductance	g_{fs}	$I_D = -2.5A$ $V_{DS} = -25V$	1.5	3		S
Input Capacitance	C_{iss}	$V_{DS} = -25V$		250	380	pF
Output Capacitance	C_{oss}	$V_{GS} = 0V$		150	230	
Reverse Transfer Capacitance	C_{rss}	$f = 1MHz$		85	130	
Turn-On Time	$t_d(on)$	$V_{ce} = -12V$		10	15	ns
	t_r	$V_{GS} = -10V$		20	30	
Turn-Off Time	$t_d(off)$	$I_D = -5A$		25	40	
	t_f	$R_{GS} = 10\Omega$		20	30	

Reverse Diode

Description	Symbol	Conditions	min.	typ.	max.	Unit
Avalanche Capability	I_{AV}	$L = 100\mu H$ $T_{ch} = 25^\circ C$ See Fig.1 and Fig.2	-5			A
Diode Forward On-Voltage	V_{SD}	$I_F = 2 \times I_{DR}$ $V_{GS} = 0V$ $T_{ch} = 25^\circ C$		-2.5	-3.8	V
Reverse Recovery Time	t_{rr}	$I_F = I_{DR}$		90		ns
Reverse Recovery Charge	Q_{rr}	$di/dt = 100A/\mu s$ $T_{ch} = 25^\circ C$		0.3		μc

7. Thermal Resistance

Description	Symbol	min.	typ.	max.	Unit
Channel to Case	$R_{th}(ch-c)$			8.33	$^\circ C/W$
Channel to Ambient	$R_{th}(ch-a)$			150	$^\circ C/W$

Fig.1 Test circuit

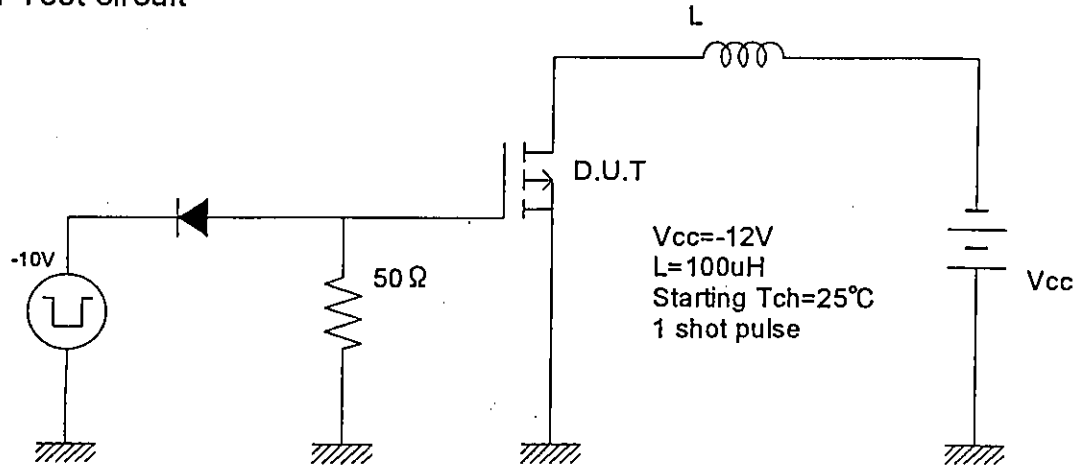
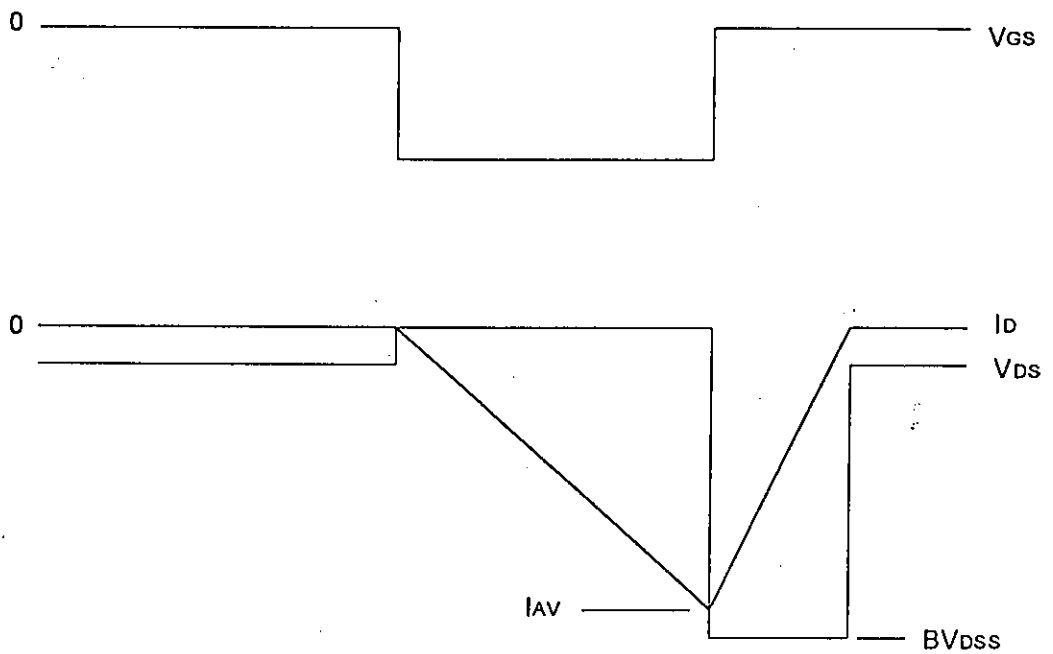
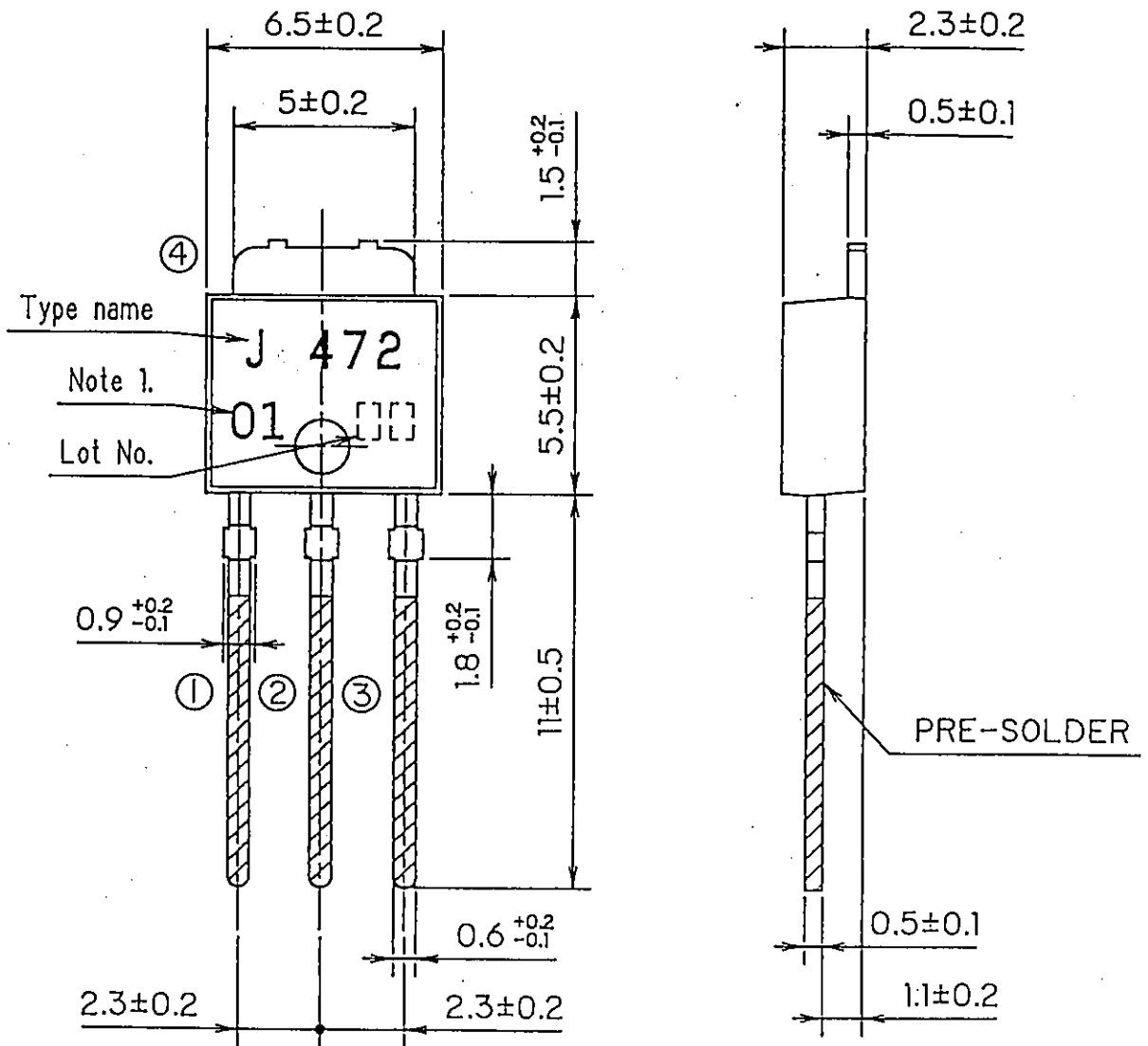


Fig.2 Operating waveforms



MOSFET Type : 2SJ472-01L

OUT VIEW



CONNECTION

- ① GATE
- ②④ DRAIN
- ③ SOURCE

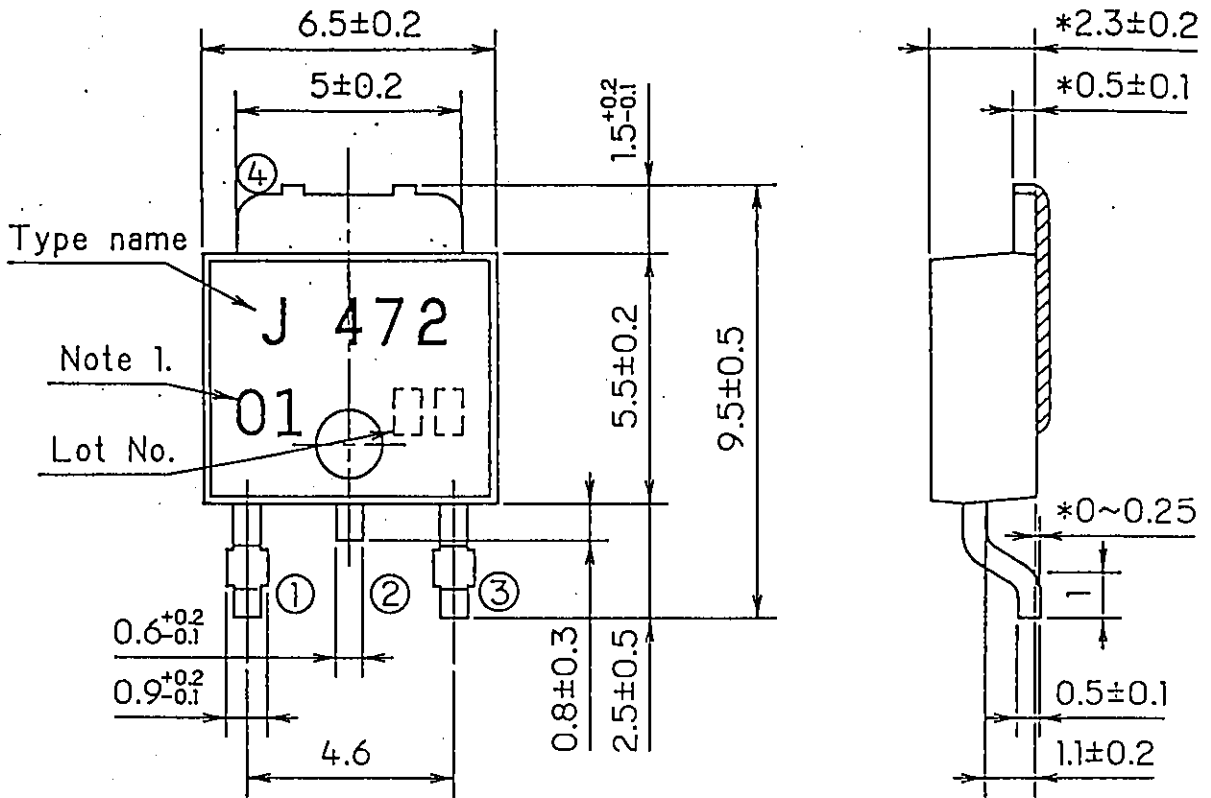
JEDEC:TO-252
EIAJ:SC-64

Note 1. Guaranteed mark of avalanche ruggedness.

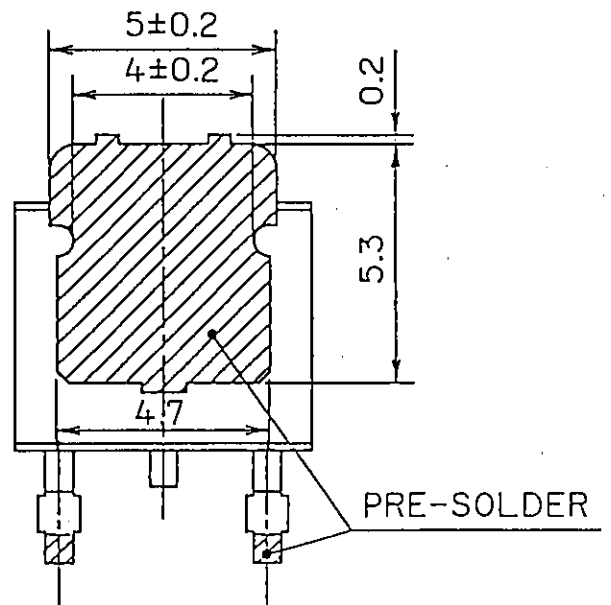
DIMENSIONS ARE IN MILLIMETERS.

MOSFET Type : 2SJ472-01S

OUT VIEW



BACK VIEW



CONNECTION

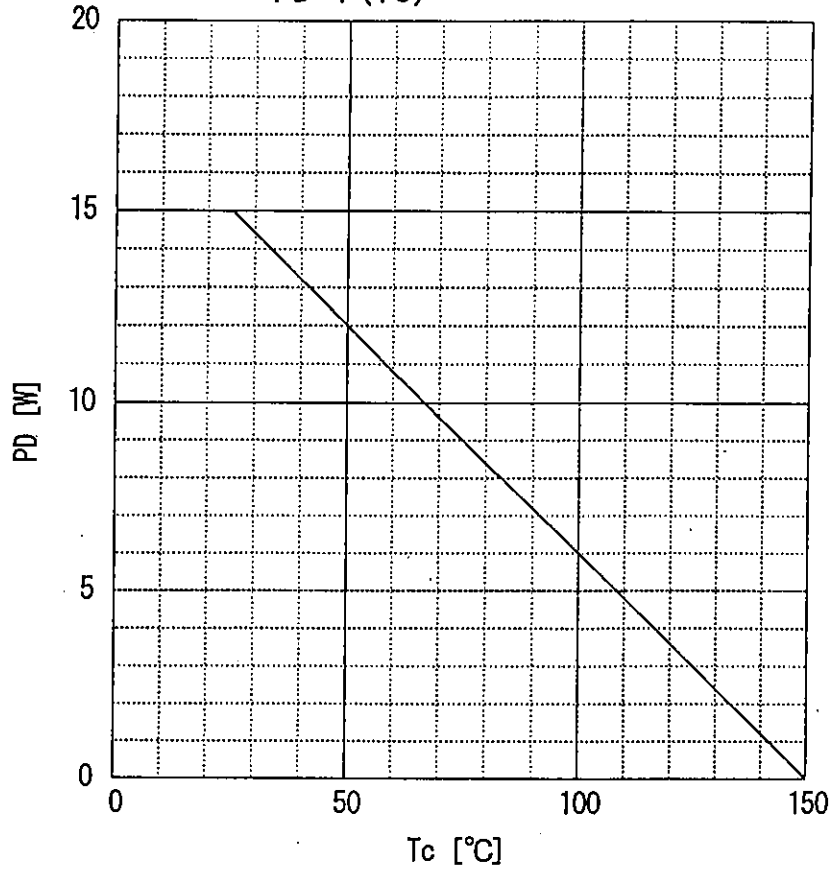
- ① GATE
- ②④ DRAIN
- ③ SOURCE

JEDEC:TO-252
EIAJ:SC-63

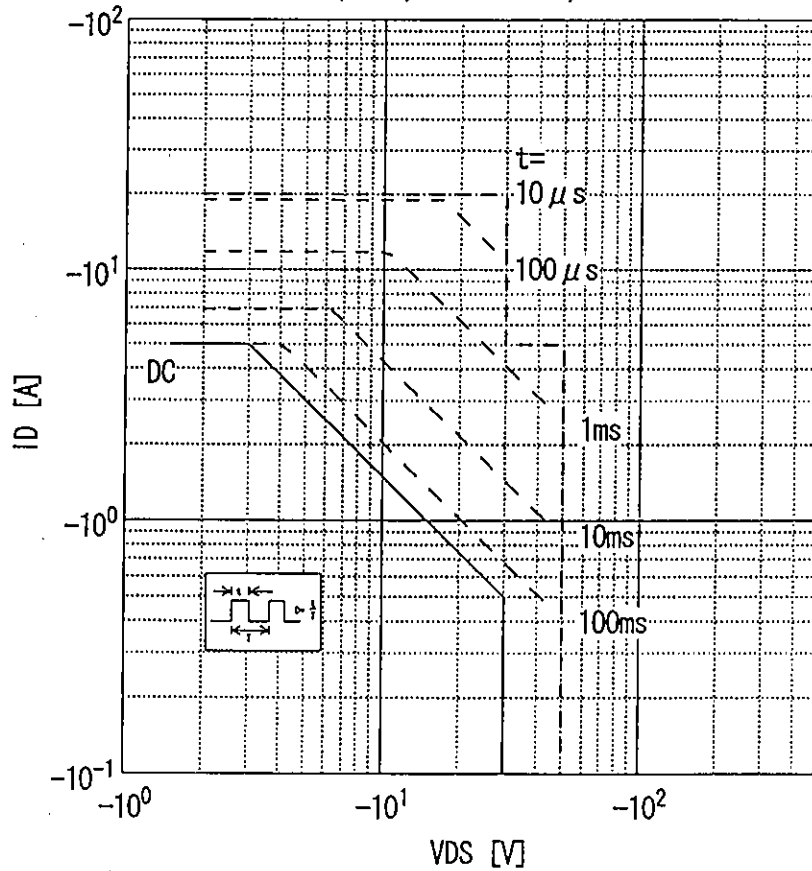
Dimension of * marks are excluded the thickness solder.
Note 1. Guaranteed mark of avalanche ruggedness.

DIMENSIONS ARE IN MILLIMETERS.

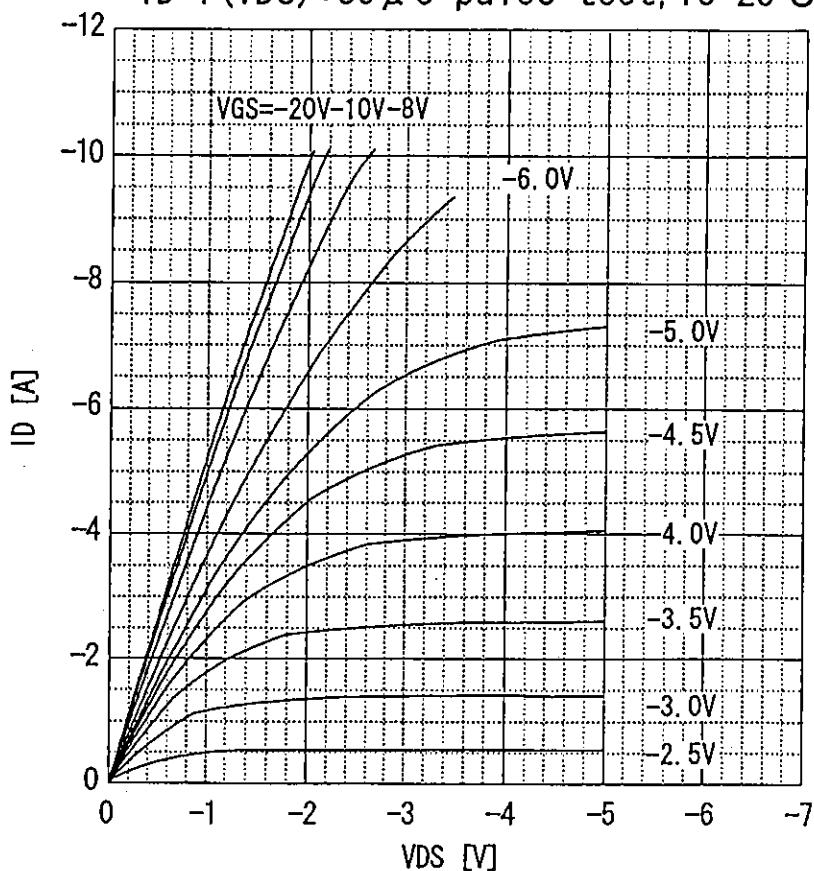
Power Dissipation
 $PD=f(T_c)$



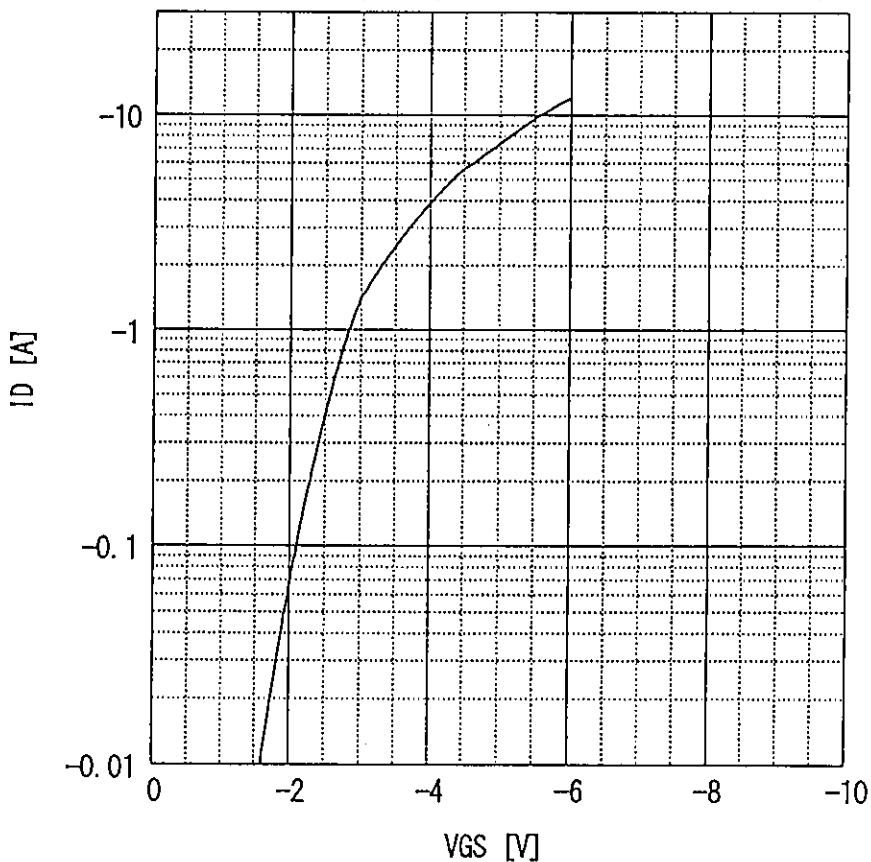
Safe operating area
 $ID=f(V_{DS}) : D=0.01, T_c=25^\circ\text{C}$



Typical output characteristics
 $I_D = f(V_{DS})$: 80 μ s pulse test, $T_c = 25^\circ\text{C}$

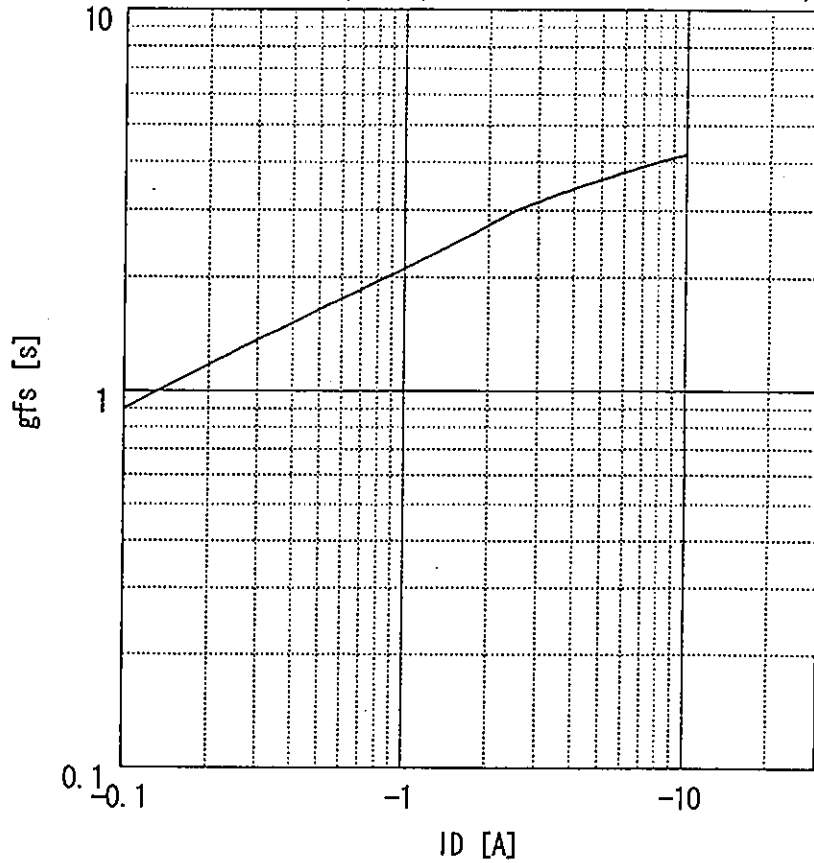


Typical transfer characteristic
 $I_D = f(V_{GS})$: 80 μ s pulse test, $V_{DS} = -25\text{V}$, $T_{ch} = 25^\circ\text{C}$



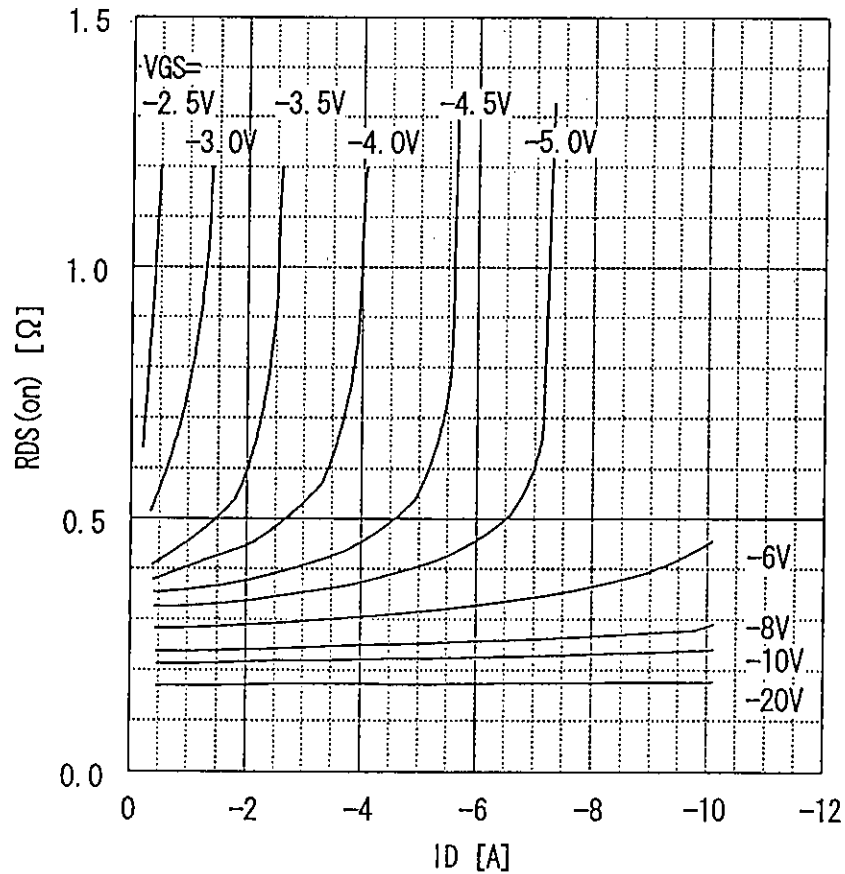
Typical forward transconductance

$g_{fs} = f(I_D)$: 80 μ s pulse test, $V_{DS} = -25V$, $T_{ch} = 25^\circ C$

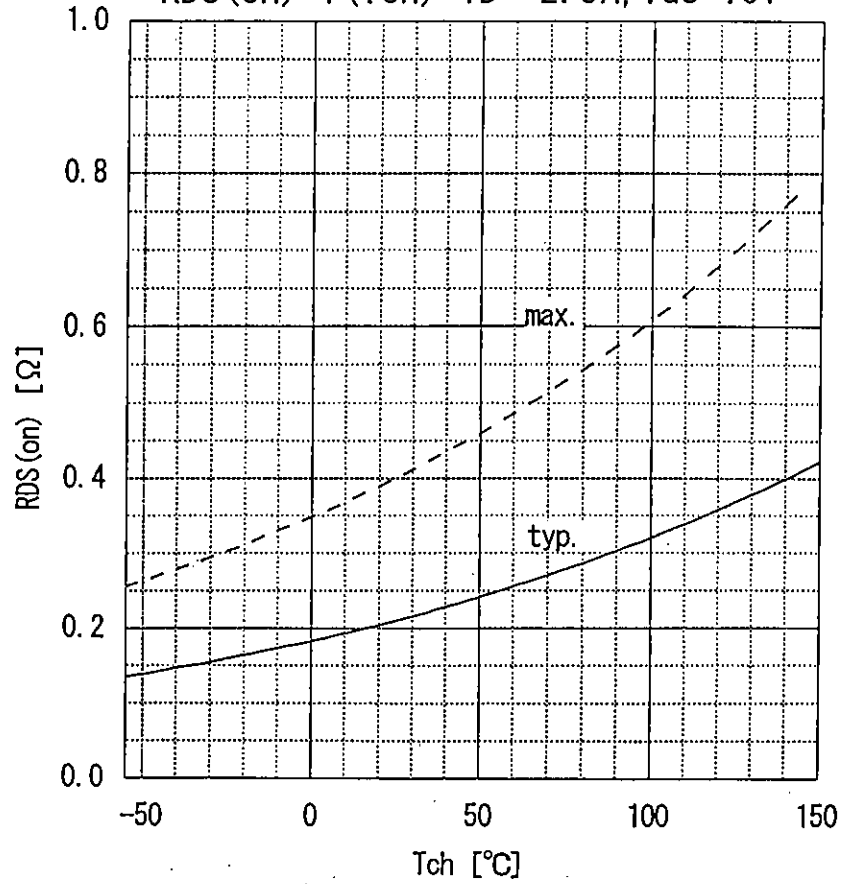


Typical drain-source on-state resistance

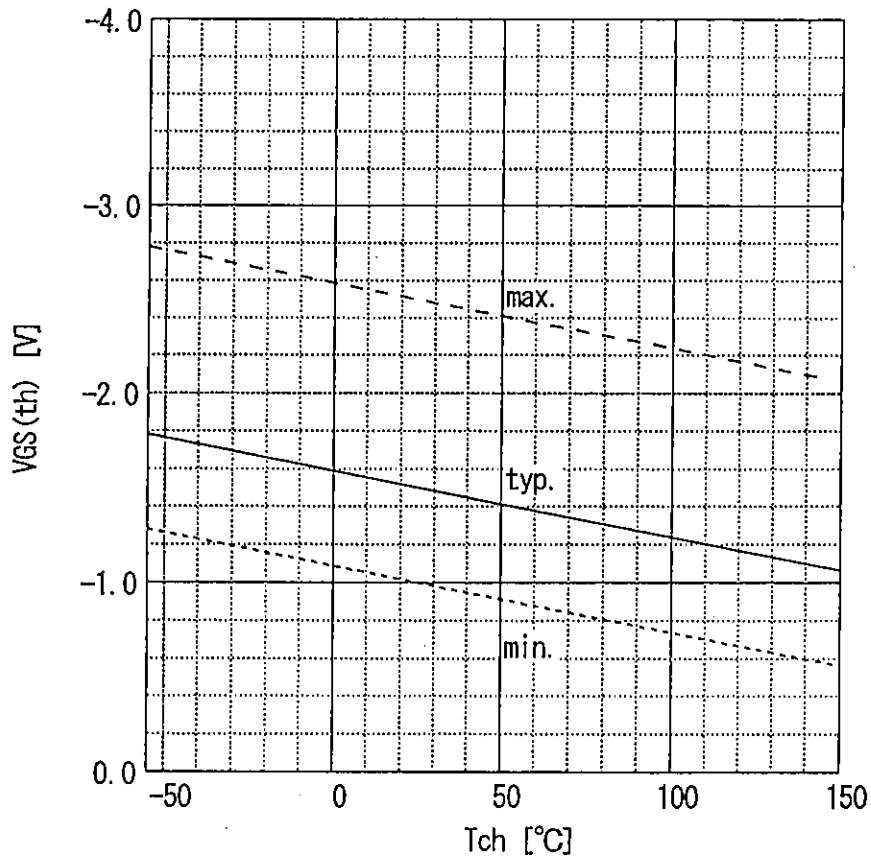
$R_{DS(on)} = f(I_D)$: 80 μ s pulse test, $T_c = 25^\circ C$



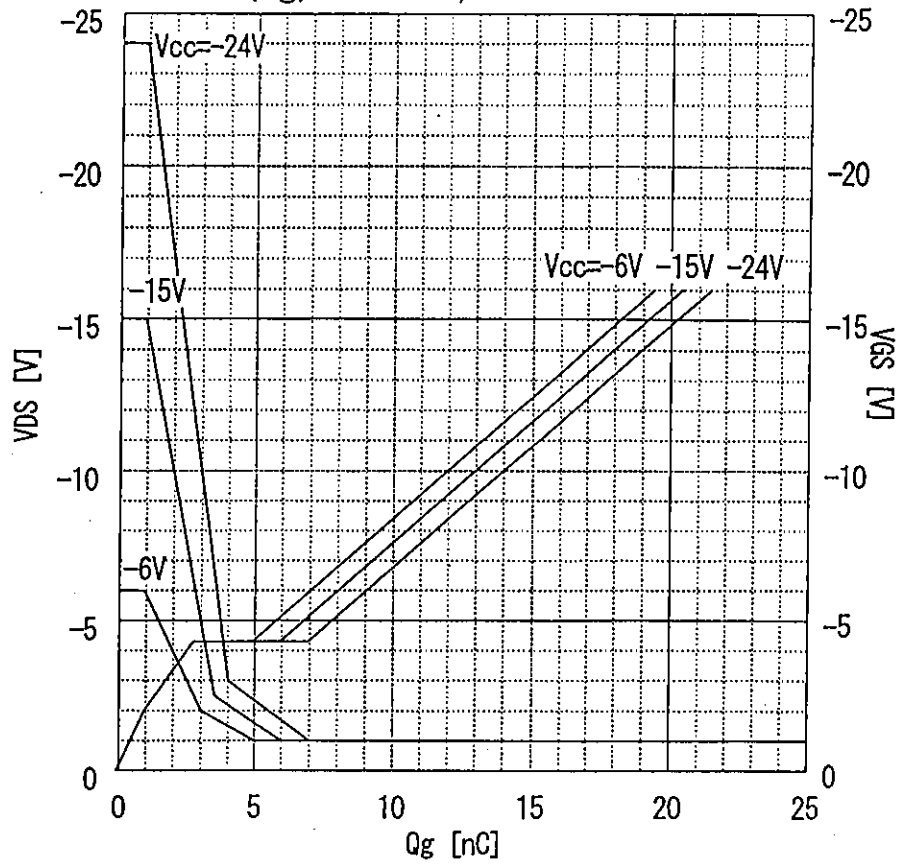
Drain-source on-state resistance
 $R_{DS(on)} = f(T_{ch}) : I_D = -2.5A, V_{GS} = 10V$



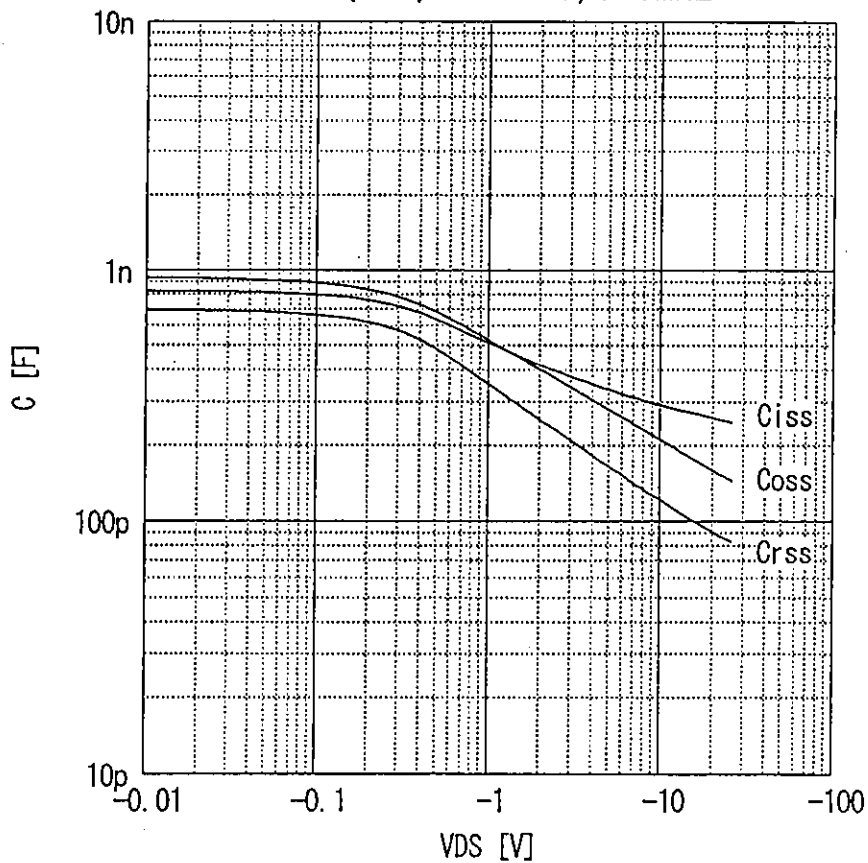
Gate threshold voltage
 $V_{GS(th)} = f(T_{ch}) : I_D = -1mA, V_{DS} = V_{GS}$



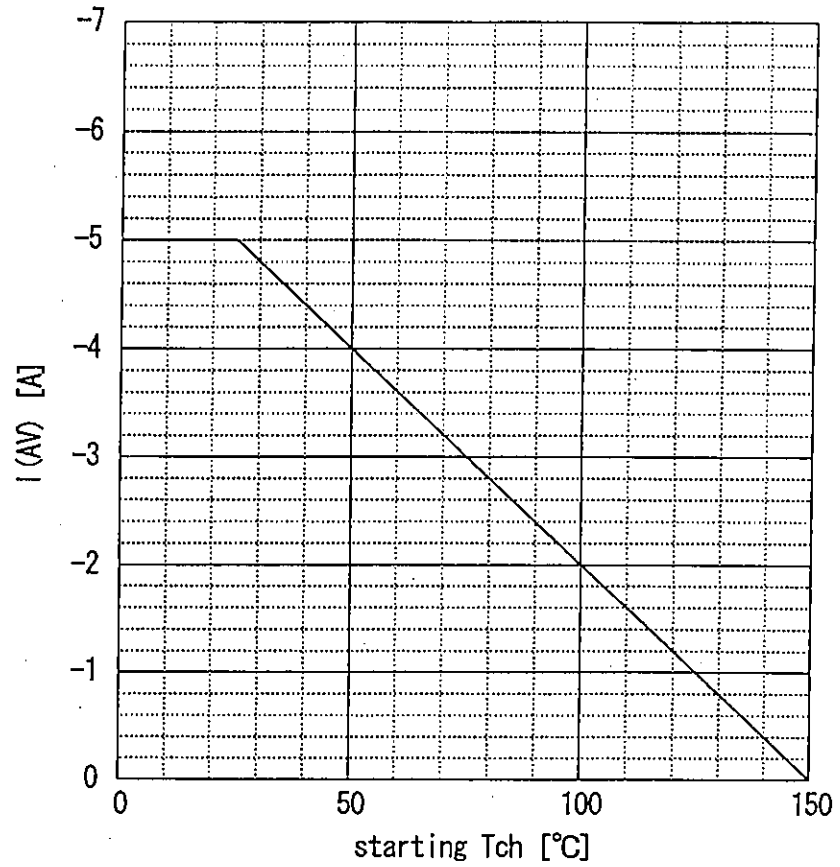
Typical gate charge characteristic
 $V_{GS} = f(Q_g) : I_D = -5A, T_c = 25^\circ C$



Typical capacitances
 $C = f(V_{DS}) : V_{GS} = 0V, f = 1MHz$



Maximum Avalanche Current vs. starting Tch
 $I(AV) = f(\text{starting Tch})$



Maximum Avalanche Energy vs. starting Tch
 $E(AV) = f(\text{starting Tch}) : V_{CC} = -12V, I(AV) \geq -5A$

