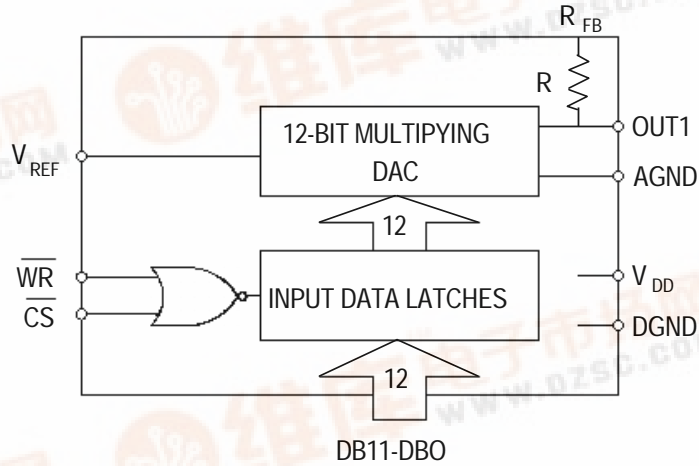
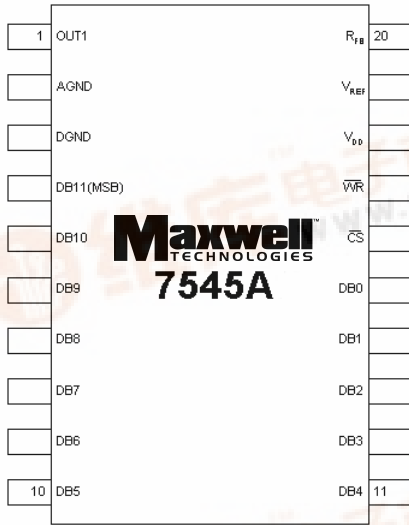




7545A

12-Bit Buffered Multiplying Digital to Analog Converter



FEATURES:

- RAD-PAK[®] patented shielding against natural space radiation
- Total dose hardness:
 - > 100 krad (Si), depending upon space mission
- Excellent single event effects
 - $SEL_{TH} > 120 \text{ MeV/mg/cm}^2$
 - $SEU_{TH} > 120 \text{ MeV/mg/cm}^2$ using all 1's
- Package:
 - 20 pin RAD-PAK[®] Flat Pack
 - 20 pin RAD-PAK[®] DIP
- Low gain temperature coefficient:
 - 5 ppm/[°]C typ.
- Fast interface timing
- Single +5 V to +15 V supply

DESCRIPTION:

Maxwell Technologies' 7545A is a 12-bit CMOS-buffered multiplying DAC with internal data latches, which features a greater than 100 krad (Si) total dose tolerance, depending upon space mission. The 7545A features a \overline{WR} pulse width of 100 ns which allows interfacing to a much wider range of fast 8-bit and 16-bit microprocessors. It is loaded by a single 12-bit wide word under the control of the \overline{CS} and \overline{WR} inputs; tying these control inputs low makes the input latches transparent allowing unbuffered operation of the DAC. The 7545A is particularly suitable for single supply operations and applications with wide temperature variations.

Maxwell Technologies' patented RAD-PAK[®] packaging technology incorporates radiation shielding in the microcircuit package. It eliminates the need for box shielding while providing the required radiation shielding for a lifetime in orbit or space mission. In a GEO orbit, RAD-PAK provides greater than 100 krad (Si) radiation dose tolerance. This product is available with screening up to Class S.



12-Bit Buffered Multiplying Digital to Analog Converter

7545A

TABLE 1. 7545A PINOUT DESCRIPTION

PIN	SYMBOL	DESCRIPTION
1	OUT 1	Output Current
2	AGND	Analog Ground
3	DGND	Digital Ground
4	DB 11	Data Bit 11 (MSB)
5	DB 10	Data Bit 10
6	DB 9	Data Bit 9
7	DB 8	Data Bit 8
8	DB 7	Data Bit 7
9	DB 6	Data Bit 6
10	DB 5	Data Bit 5
11	DB 4	Data Bit 4
12	DB 3	Data Bit 3
13	DB 2	Data Bit 2
14	DB 1	Data Bit 1
15	DB 0	Data Bit 0 (LSB)
16	CS	Chip Select (Active Low)
17	WR	Write (Active Low)
18	V _{DD}	Digital Supply Voltage
19	V _{REF}	Reference Input
20	RFB	Feedback Resistance

TABLE 2. 7545A ABSOLUTE MAXIMUM RATINGS

PARAMETER	SYMBOL	MIN	MAX	UNIT
V _{DD} to DGND	--	-0.3	17	V
Digital Input Voltage to DGND	--	-0.3	V _{DD} + 0.3	V
V _{RFB} , V _{REF} to DGND	--	--	25	V
V _{PIN1} to DGND	--	-0.3	V _{DD} + 0.3	V
AGND to DGND	--	-0.3	V _{DD} + 0.3	V
Power Dissipation to 75 °C	P _D	--	450	mW
Thermal Impedance — Flat Package	Θ _{JC}	--	6.08	°C/W
Thermal Impedance — DIP Package	Θ _{JC}	--	6.04	°C/W
Operating Temperature	--	-55	125	°C
Storage Temperature Range	T _S	-65	150	°C

12-Bit Buffered Multiplying Digital to Analog Converter

7545A

TABLE 3. DELTA LIMITS

PARAMETER	VARIATION
I_{DD}	$\pm 10\%$

TABLE 4. 7545A SPECIFICATIONS

($V_{DD} = +5\text{ V} \pm 10\%$, $T_A = -55\text{ to }125\text{ }^\circ\text{C}$ UNLESS OTHERWISE NOTED)

TEST	SYMBOL	TEST CONDITION	MIN	MAX	UNIT
Resolution	RES		12	--	Bits
Relative Accuracy	RA		-1/2	1/2	LSB
Differential Nonlinearity	DNL	12-Bit Monotonic T_{MIN} to T_{MAX}	-1	1	LSB
Gain Error ¹	A_E	DAC Register Loaded with 1111 1111 1111	-4	4	LSB
Gain Temperature Coefficient ²	TC_{AE}		-5	5	ppm/ $^\circ\text{C}$
Power Supply Rejection	PSRR	$V_{DD} = 5\%$	-0.004	0.004	%/%
Output Current Settling Time ²	t_{SL}	To 1/2LSB; OUT1 Load = 100Ω , DAC Output Measured from Fall- ing Edge of \overline{WR} . $CS = 0V$	--	2	μs
Feed through Error	FT		5 (typical)		mV p-p
Reference Input Resistance (Pin 19 to Ground) ²	R_{IN}		10	25	$k\Omega$
Digital Input High Voltage	V_{IH}		2.4	--	V
Digital Input Low Voltage	V_{IL}		--	0.8	V
Digital Input Leakage Current	I_{IN}	$V_{IN} = 0\text{ V or }V_{DD}$	-10	10	μA
Digital Input Capacitance ²	C_{IN}	DB0 - DB11; \overline{WR} , \overline{CS}	--	20	pF
Output Capacitance ²	C_{OUT1}	DB0 - DB11 = 0 V, \overline{WR} , $\overline{CS} = 0V$	--	70	pF
		DB0 - DB11 = V_{DD} , \overline{WR} , $\overline{CS} = 0V$	--	200	
Chip Select to Write Setup Time ³	t_{CS}	$t_{CS} \geq t_{WR}$, $t_{CH} \geq 0$	380	--	nS
Chip Select to Write Hold Time ³	t_{CH}		0	--	
Write Pulse Width ³	t_{WR}		400	--	
Data Setup Time ³	t_{DS}		210	--	
Data Hold Time ³	t_{DH}		10	--	
Supply Current from V_{DD}	I_{DD}		All Digital Inputs V_{IL} or V_{IH}	--	
		All Digital Inputs 0 or V_{DD}	--	500	μA

1. Measured using feedback resistor.
2. Guaranteed by design.
3. Not Tested.

12-Bit Buffered Multiplying Digital to Analog Converter

7545A

TABLE 5. 7545A SPECIFICATIONS
($V_{DD} = +15\text{ V} \pm 10\%$, $T_A = -55\text{ to }125\text{ }^\circ\text{C}$ UNLESS OTHERWISE NOTED)

TEST	SYMBOL	TEST CONDITION	MIN	MAX	UNIT
Relative Accuracy	RA		-1/2	1/2	LSB
Differential Nonlinearity	DNL	12-Bit Monotonic T_{MIN} to T_{MAX}	-1	1	LSB
Gain Error ¹	A_E	DAC Register Loaded with 1111 1111 1111	-4	4	LSB
Gain Temperature Coefficient ²	TC_{AE}		-5	5	ppm/ $^\circ\text{C}$
Power Supply Rejection	PSRR	$V_{DD} = 5\%$	-0.004	0.004	%/%
Output Current Settling Time ²	t_{SL}	To 1/2LSB; OUT1 Load = 100Ω , DAC Output Measured from Fall- ing Edge of \overline{WR} . $CS = 0V$	--	2	μs
Feed through Error	FT		5 (typical)		mV p-p
Reference Input Resistance (Pin 19 to Ground) ²	R_{IN}		10	25	$\text{k}\Omega$
Digital Input High Voltage	V_{IH}		13.5	--	V
Digital Input Low Voltage	V_{IL}		--	1.5	V
Digital Input Leakage Current	I_{IN}	$V_{IN} = 0\text{ V or }V_{DD}$	-10	10	μA
Digital Input Capacitance ²	C_{IN}	DB0 - DB11; \overline{WR} , \overline{CS}	--	15	pF
Output Capacitance ²	C_{OUT1}	DB0 - DB11 = 0 V, \overline{WR} , $\overline{CS} = 0V$	--	70	pF
		DB0 - DB11 = V_{DD} , \overline{WR} , $\overline{CS} = 0V$	--	150	
Chip Select to Write Setup Time	t_{CS}	$t_{CS} \geq t_{WR}$, $t_{CH} \geq 0$	95	--	nS
Chip Select to Write Hold Time	t_{CH}		0	--	
Write Pulse Width ³	t_{WR}		95	--	
Data Setup Time ³	t_{DS}		80	--	
Data Hold Time ³	t_{DH}		5	--	
Supply Current from V_{DD}	I_{DD}		All Digital Inputs V_{IL} or V_{IH}	--	
		All Digital Inputs 0 or V_{DD}	--	100	μA

1. Measured using feedback resistor.
2. Guaranteed by design.

12-Bit Buffered Multiplying Digital to Analog Converter

7545A

FIGURE 1. WRITE CYCLE TIMING DIAGRAM

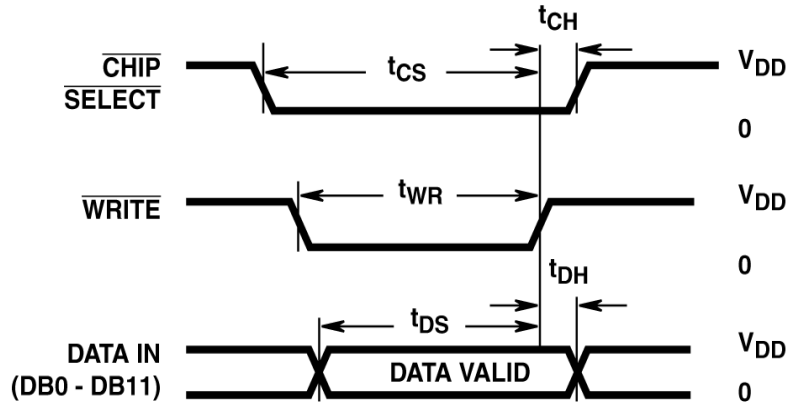
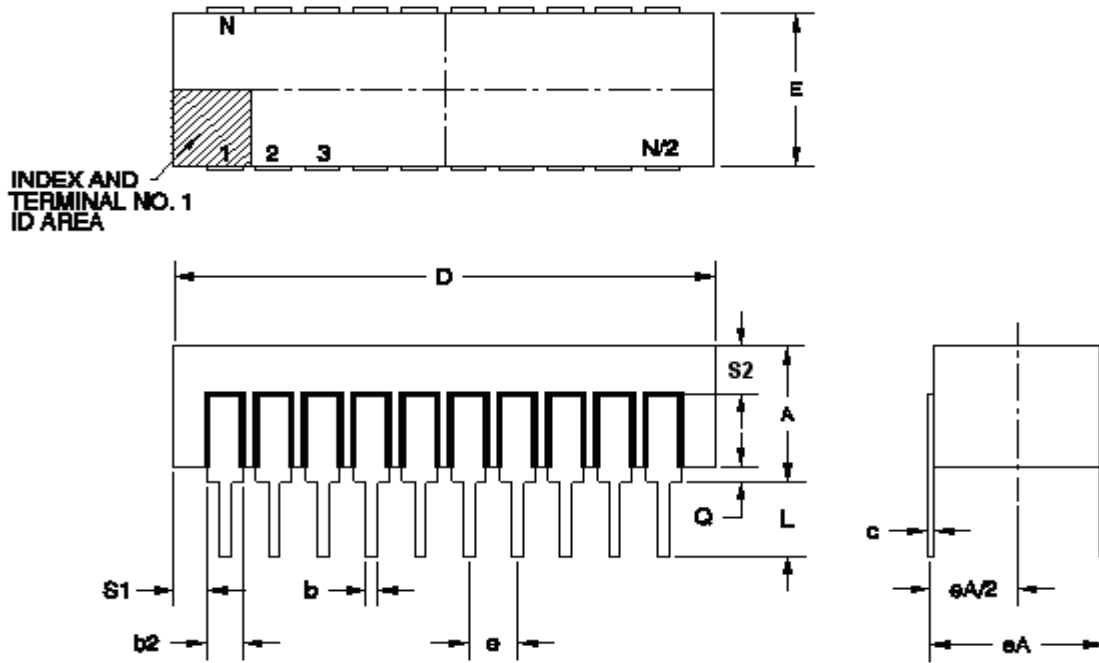


FIGURE 2. MODE SELECTION TABLE

MODE SELECTION	
WRITE MODE: $\overline{\text{CS}}$ and $\overline{\text{WR}}$ low, DAC responds to data bus (DB0 - DB11) inputs	HOLD MODE: Either $\overline{\text{CS}}$ or $\overline{\text{WR}}$ high, data bus (DB0 - DB11) is locked out; DAC holds last data present when $\overline{\text{WR}}$ or $\overline{\text{CS}}$ assumed high state.

12-Bit Buffered Multiplying Digital to Analog Converter

7545A



20 PIN RAD-PAK® DUAL IN LINE PACKAGE

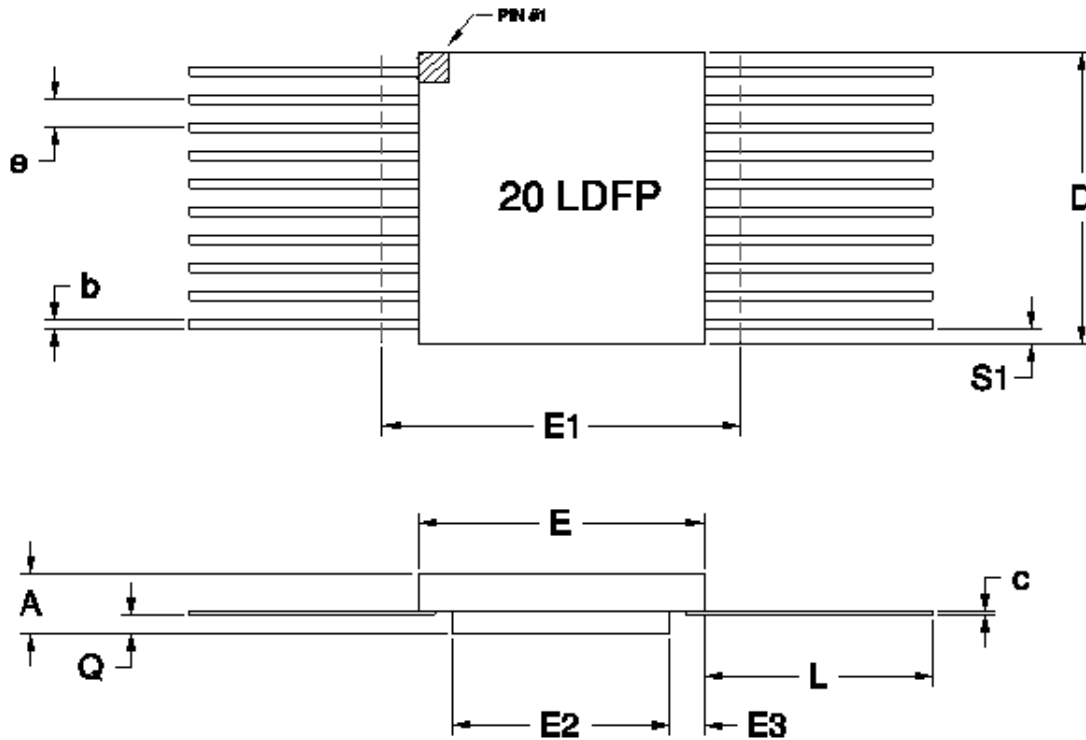
SYMBOL	DIMENSION		
	MIN	NOM	MAX
A	--	0.202	0.230
b	0.014	0.018	0.026
b2	0.045	0.050	0.065
c	0.008	0.010	0.018
D	--	1.000	1.060
E	0.220	0.290	0.310
eA	0.300 BSC		
eA/2	0.150 BSC		
e	0.100 BSC		
L	0.125	0.145	0.155
Q	0.015	0.045	0.070
S1	0.005	0.025	--
S2	0.005	--	--
N	20		

D20-01

Note: All dimensions in inches

12-Bit Buffered Multiplying Digital to Analog Converter

7545A



20 PIN RAD-PAK® FLAT PACKAGE

SYMBOL	DIMENSION		
	MIN	NOM	MAX
A	0.128	0.141	0.154
b	0.015	0.017	0.022
c	0.003	0.005	0.009
D	0.470	0.480	0.490
E	0.287	0.295	0.303
E1	--	--	0.333
E2	0.155	0.160	--
E3	0.030	0.068	--
e	0.050 BSC		
L	0.350	0.380	0.390
Q	0.026	0.034	0.045
S1	0.005	0.007	--
N	20		

F20-01

Note: All dimensions in inches

12-Bit Buffered Multiplying Digital to Analog Converter

7545A

Important Notice:

These data sheets are created using the chip manufacturers published specifications. Maxwell Technologies verifies functionality by testing key parameters either by 100% testing, sample testing or characterization.

The specifications presented within these data sheets represent the latest and most accurate information available to date. However, these specifications are subject to change without notice and Maxwell Technologies assumes no responsibility for the use of this information.

Maxwell Technologies' products are not authorized for use as critical components in life support devices or systems without express written approval from Maxwell Technologies.

Any claim against Maxwell Technologies must be made within 90 days from the date of shipment from Maxwell Technologies. Maxwell Technologies' liability shall be limited to replacement of defective parts.

12-Bit Buffered Multiplying Digital to Analog Converter

7545A

Product Ordering Options

