

**Integrated
Circuit
Systems, Inc.**

ICS9176-01

Low Skew Output Buffer

General Description

the **ICS9176-01** is designed specifically to support the tight timing requirements of high-performance microprocessors and chip sets. Because the jitter of the device is limited to $\pm 250\text{ps}$, the **ICS9176-01** is ideal for clocking Pentium™ systems. The 10 high drive (40mA), low-skew ($\pm 250\text{ps}$) outputs make the **ICS9176-01** a perfect fit for PCI clocking requirements.

The **ICS9176-01** has 10 outputs synchronized in phase and frequency to an input clock. The internal phase locked loop (PLL) acts either as a 1X clock multiplier or a 1/2X clock multiplier depending on the state of the input control pins T0 and T1. With metal mask options, any type of ratio between the input clock and output clock can be achieved, including 2X.

The PLL maintains the phase and frequency relationship between the input clock and the outputs by externally feeding back FBOUT to FBIN. Any change in the input will be tracked by all 10 outputs. However, the change at the outputs will happen smoothly so no glitches will be present on any driven input. The PLL circuitry matches rising edges of the input clock and the output clock. Since the input to FBIN skew is guaranteed to $\pm 500\text{ps}$, the part acts as a “zero delay” buffer.

The **ICS9176-01** has a total of eleven outputs. Of these, FBOUT is dedicated as the feedback into the PLL and another, Q/2, has an output frequency half that of the remaining nine. These nine outputs can either be running at the same speed as the input, or at half the frequency of the input. With Q/2 as the feedback to FBIN, the nine ‘Q’ outputs will be running at twice the input frequency in the normal divide-by-1 mode. In this case, the output can go to 120 MHz with a 60 MHz input clock. The maximum rise and fall time of an output is 1ns and each is TTL-compatible with a 40mA symmetric drive.

The **ICS9176-01** is fabricated using CMOS technology which results in much lower power consumption and cost compared with the gallium arsenide based 1086E. The typical operating current for the **ICS9176-01** is 60mA versus 115mA for the GA1086E.

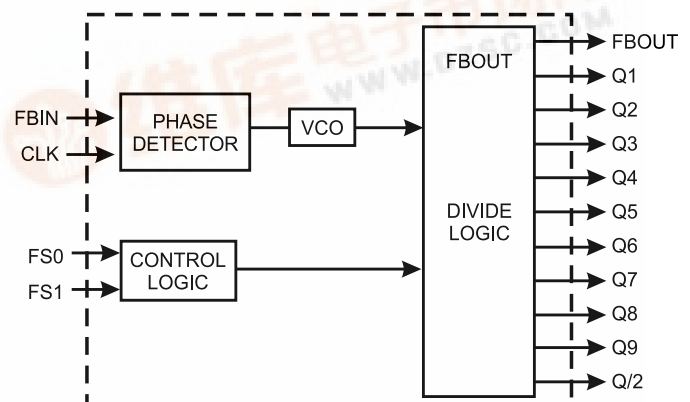
Features

- **ICS9176-01-01** is pin compatible with Triquint GA1086
- $\pm 500\text{ps}$ skew (max) between input and outputs
- $\pm 250\text{ps}$ skew (max) between outputs
- 10 symmetric, TLL-compatible outputs
- 28-pin PLCC or 28-pin wide SOIC surface mount package
- High drive, 40mA outputs
- Power-down option
- Output frequency range 20 MHz to 120 MHz
- Input frequency range 20 MHz to 100 MHz
- Ideal for PCI bus applications

Functionality

FS1	FS0	DESCRIPTION
0	0	Power-down
0	1	Test Mode (PLL Off CLK=outputs)
1	0	Normal (PLL On)
1	1	Divide by 2 Mode

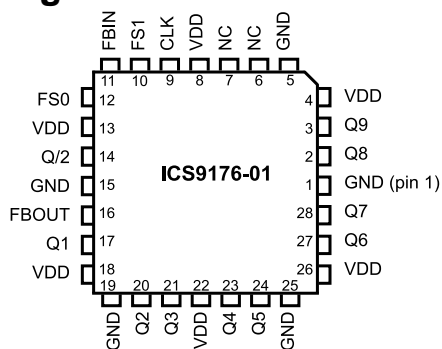
Block Diagram



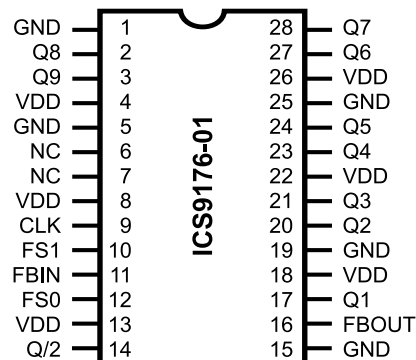


ICS9176-01

Pin Configuration



28-Pin PLCC



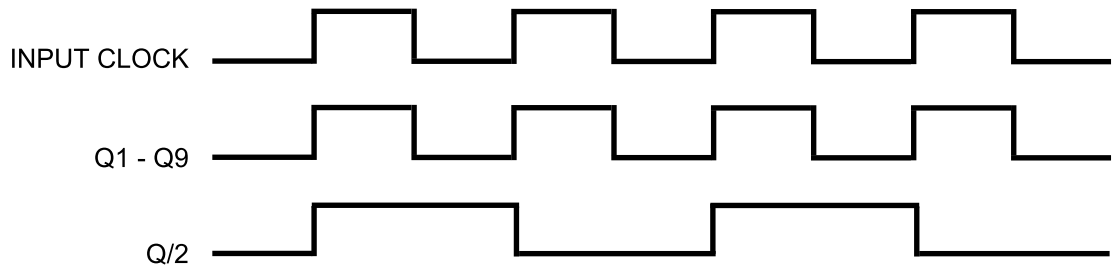
28-Pin SOIC

Pin Description

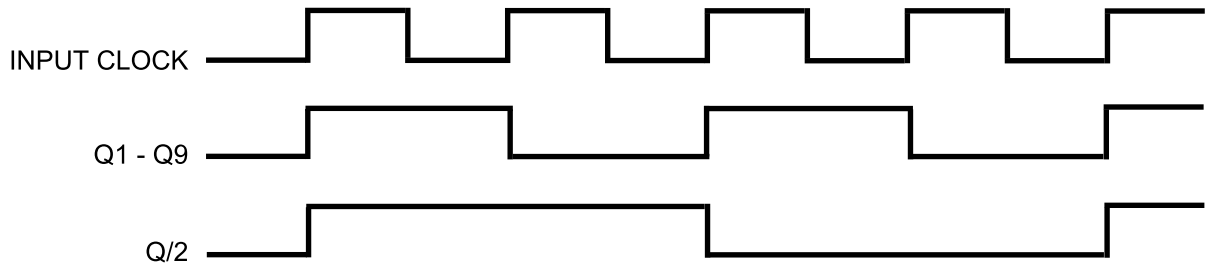
PIN NUMBER	PIN NAME	TYPE	DESCRIPTION
1	GND	-	GROUND.
2	Q8	Output	Output clock 8
3	Q9	Output	Output clock 9.
4	VDD	-	Power supply (+5V).
5	GND	-	GROUND.
6	NC	-	No Connect.
7	NC	-	No Connect.
8	VDD	-	Power supply (+5V).
9	CLK	Input	Input for reference clock.
10	FS1	Input	FS1 selects normal operation, power-down, or test mode.
11	FBIN	Input	FEEDBACK INPUT from output FBOUT.
12	FS0	Input	FS0 selects normal operation, power-down, or test mode.
13	VDD	-	Power Supply (+5V).
14	Q/2	Output	Half-clock output.
15	GND	-	GROUND.
16	FBOUT	Output	FEEDBACK OUTPUT to Input FBIN.
17	Q1	Output	Output clock 1.
18	VDD	-	Power Supply (+5V).
19	GND	-	GROUND.
20	Q2	Output	Output clock 2.
21	Q3	Output	Output clock 3.
22	VDD	-	Power supply (+5V).
23	Q4	Output	Output clock 4.
24	Q5	Output	Output clock 5.
25	GND	-	GROUND.
26	VDD	-	Power Supply (+5V).
27	Q6	Output	Output clock 6.
28	Q7	Output	Output clock 7.



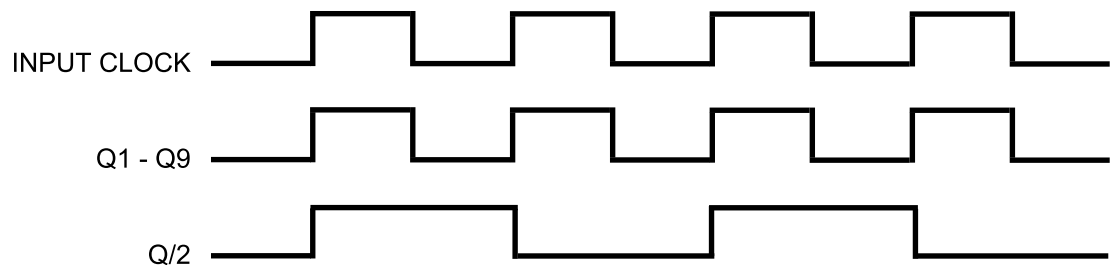
Timing Diagrams



Timing in Divide by 1 Mode

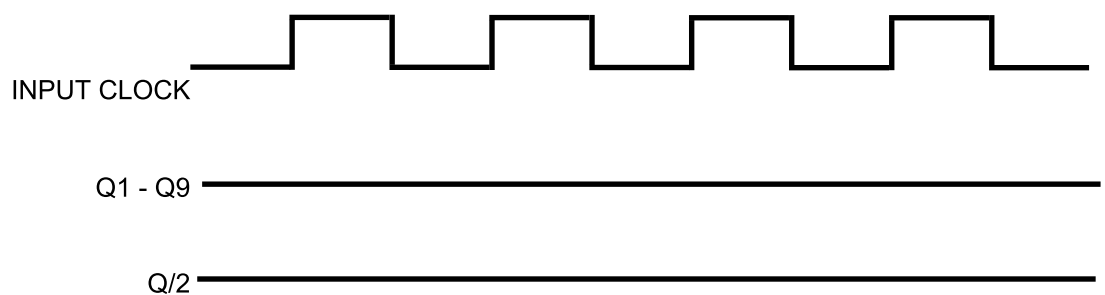


Timing in Divide by 2 Mode



Timing in Eliminate by Test Mode

Note: In test mode, the VCOs are bypassed. The test clock input is simply buffered, then output. The part is transparent. Damage to the device may occur if an output is shorted or forced to ground or VDD.



Timing in Power-down Mode



ICS9176-01

Absolute Maximum Ratings

- VDD referenced to GND 7V
- Operating temperature under bias. 0°C to +70°C
- Storage temperature -65°C to +150°C
- Voltage on I/O pins referenced to GND. GND -0.5V to VDD +0.5V
- Power dissipation 0.5 Watts

Stresses above those listed under Absolute Maximum Ratings may cause permanent damage to the device. This is a stress rating only and functional operation of the device at these or any other conditions above those indicated in the operational sections of the specifications is not implied. Exposure to absolute maximum rating conditions for extended periods may affect product reliability.

Electrical Characteristics

DC Characteristics

V_{DD} = +5V±5%, T_A=0°C to 70°C unless otherwise stated

PARAMETER	SYMBOL	TEST CONDITIONS	MIN	TYP	MAX	UNITS
Input Low Voltage	V _{IL}	V _{DD} =5V	-	-	0.8	V
Input High Voltage	V _{IH}	V _{DD} =5V	2.0	-	-	V
Input Current	I _i	V _{IN} =0V, 5V	-5	-	5	μA
Output Low Voltage	V _{OL}	@I _{OL} =14mA	-	0.25	0.4	V
Output Low Current	I _{OL}	@V _{OL} =0.8V	33	42	-	mA
Output High Voltage ¹	V _{OH}	@I _{OH} =-38mA	2.4	-	-	V
Output High Current ¹	I _{OH}	@V _{OH} =2.0V	-	-59	-41	mA
Supply Current, Normal Mode	I _{DD}	Unloaded outputs, @ 66.6 Mhz	-	55	75	mA
Supply Current, Power-down Mode	I _{DD-PD}	T ₁ , T ₀ =0, 0	-	2.0	10.0	mA

Note:

1. Guaranteed by design and characterization. Not subject to 100% test.

**AC Characteristics**

PARAMETER	SYMBOL	TEST CONDITIONS	MIN	TYP	MAX	UNITS
Input Clock Pulse Width ¹	CLKw	VDD=4.5V, f _{CLK} =100 MHz	2.5	-	7.5	ns
Output Rise time, 0.8 to 2.0V ¹	t _r	15pF load	-	0.7	1	ns
Rise time, 20% to 80% V _{DD} ¹	t _r	15pF load	-	1.5	2	ns
Output Fall time, 2.0V to 0.8V ¹	t _f	15pF load	-	0.7	1	ns
Fall time, 80% to 20% V _{DD} ¹	t _f	15pF load	-	1.2	2	ns
Output Duty cycle ¹	dt	15pF load, Note 3	45	49/51	55	%
Jitter, 1 sigma ¹	T _{ls}		-	60	-	ps
Jitter, absolute ¹	T _{abs}		-250	±100	250	ps
Input Frequency	f _i		20	-	100	MHz
Output Frequency (Q outputs)	f _o	For outputs >100 MHz, use Q/2 as feedback	20	-	120	MHz
FBIN to IN skew ¹	t _{skew1}	Note 2, 4. Input rise time < 3ns	-500	250	0	ps
Skew between any 2 outputs at same frequency ¹	t _{skew2}	Note 2, 4.	-250	50	250	ps
Skew between any 1 output and Q/2 ¹	t _{skew3}	Note 2, 4	-3	±0.1	3	ns

Notes:

1. Guaranteed by design and characterization. Not subject of 100% test.
2. All skew specifications are measured with a 50W transmission line, load terminated with 50W to 1.4V.
3. Duty cycle measured at 1.4V.
4. Skew measured at 1.4V on rising edges. Loading must be equal on outputs.



ICS9176-01

Applications

FBOUT is normally connected to FBIN to facilitate input to output skew control. However, there is no requirement that the external feedback connection be a direct hardware from an output pin to the FBIN pin. As long as the signal at FBIN is derived directly from the FBOUT pin and maintains its frequency, additional delays can be accommodated. The clock phase of the outputs (rising edge) will be adjusted so that the phase of FBIN and the input clock will be the same. See Figure 1 for an example.

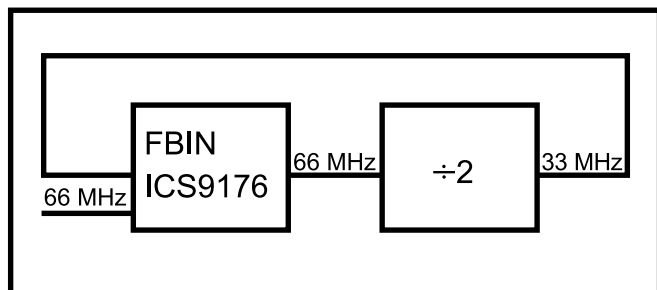


Figure 1

In Figure 1, the propagation delay through the divide by 2 circuit is eliminated. The internal phase-locked loop will adjust the output clock on the ICS9176-01 to ensure zero phase delay between the FBIN and CLK signals, as a result, the rising edge at the output of the divide by two circuit will be aligned with the rising edge of the 66 MHz input clock. This type of configuration can be used to eliminate propagation delay as long as the signal at FBIN is continuous and is not gated or conditional.

The ICS9176-01 is also ideal for clocking multi-processor systems. The 10 outputs can be used to synchronize the operation of CPU cache and memory banks operating at different speeds. Figure 2 depicts a 2-CPU system in which processors and associated peripherals are operating at 66 MHz. Each of the nine outputs operating at 66 MHz are fully utilized to drive the appropriate CPU, cache and memory control logic. The 33 MHz output is used to synchronize the operation of the slower memory bank to the restart of the system.

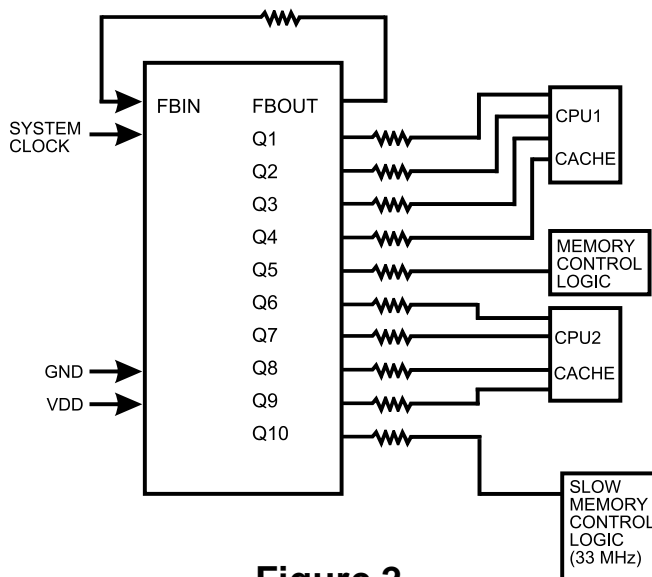
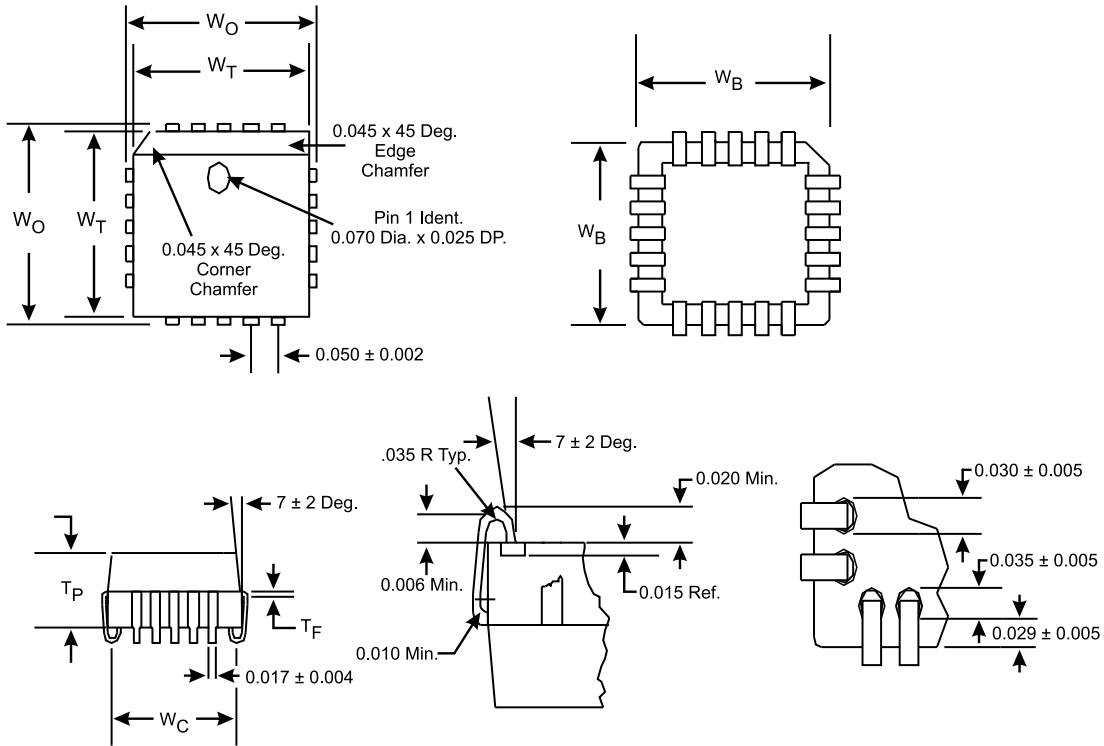


Figure 2



ICS9176-01



PLCC Package

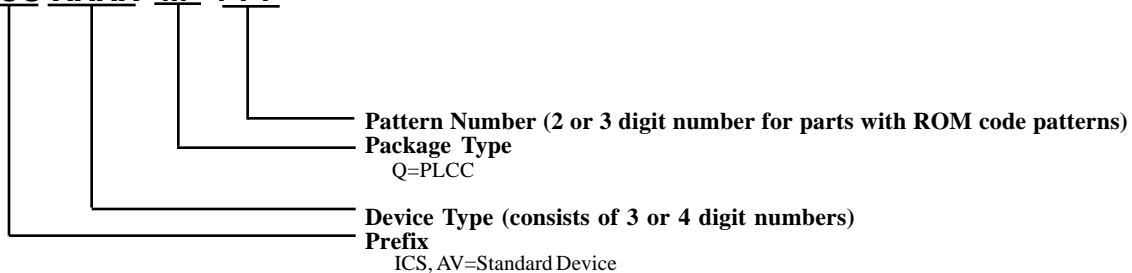
LEAD COUNT	FRAME THICKNESS T_F $\pm .0003$	PKG. THICKNESS T_P $\pm .004$	PKG. WIDTH TOP W_T $\pm .004$	PKG. WIDTH BOTTOM W_B $\pm .006$	OVERALL PKG. WIDTH W_O $\pm .005$	CONTACT WIDTH W_C $+ .010 / - .030$
28L	0.010	0.152	0.450	0.453	0.490	0.420

Ordering Information

ICS9176Q-01

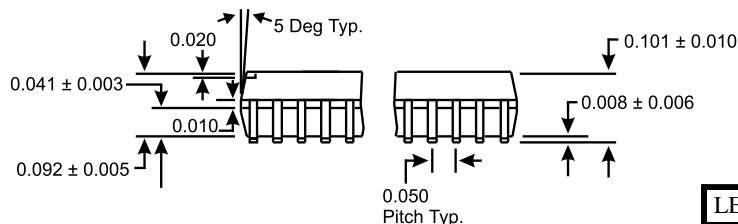
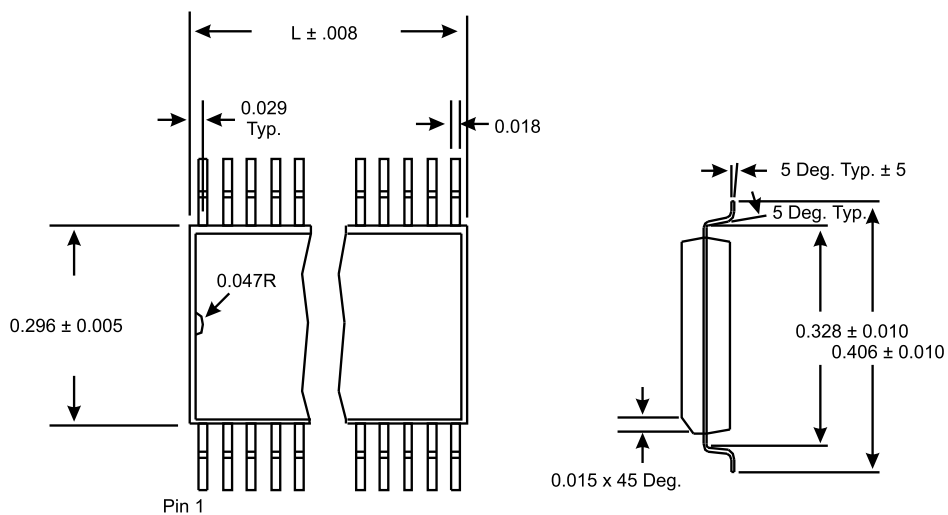
Example:

ICS XXXX- M PPP





ICS9176-01



LEAD COUNT	28L
DIMENSION L	0.704

SOIC Package

Ordering Information

ICS9176M-01

Example:

ICS XXXX- M PPP

