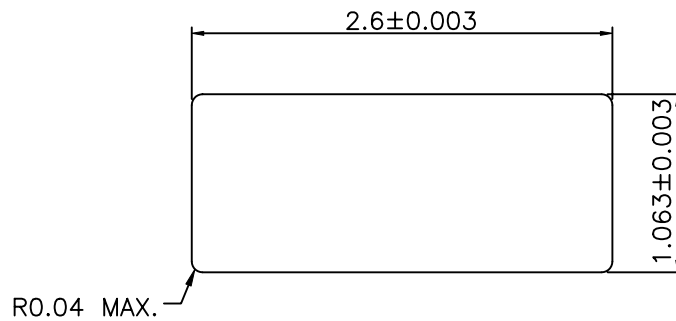
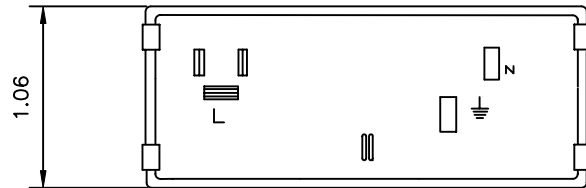
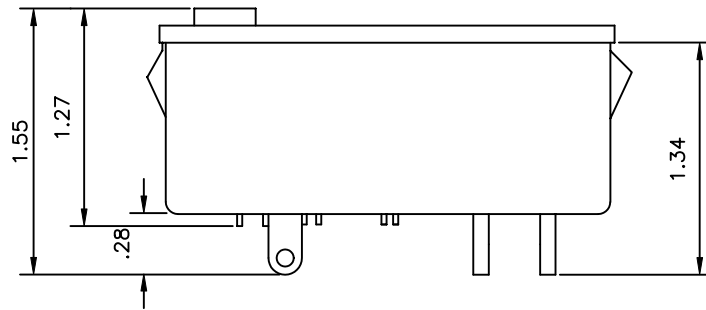
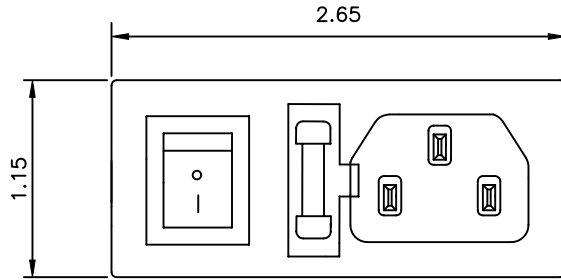


Revision			
Rev.	Description	Date	Approved



Electrical Characteristics:

Rated Current:

UL / CSA @ 115 / 250 VAC.....6/6 AMP
 VDE @ 250 VAC.....10 AMP

SPST Power Switch:

UL/CSA @ 125 / 250 VAC.....6 AMP
 VDE @ 250 VAC.....6 AMP

Single 5X20mm Fuseholder

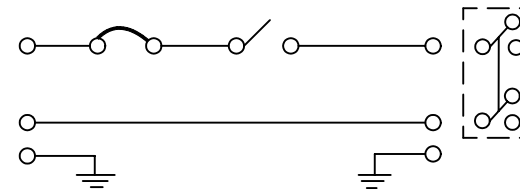
Solder Tab Terminals

Flammability Class UL94V-0

Plastic Case

Snap-In Mount for Panel Thickness 1.0–1.8mm (.04”–.07”)

Electrical Schematic:



Dim range (mm)	Tolerance +/- (mm)	Qualtek Electronics Corp. PPC DIVISION		
		Part Number: 761-18/003		
0-1	0.15	Description: MULTI-FUNCTION MODULE		
1-6	0.20			
6-18	0.30			
18-50	0.50			
50-120	0.70	Drawn/Date	Checked/Date	Approved/Date
120-250	0.90	B.ZHANG	01-28-03	JJH/01-28-03
250-500	1.20	01-28-03		