

SANYO	No. ※4251	CMOS LSI
		LC78865M
		16-bit A/D Converter

Preliminary

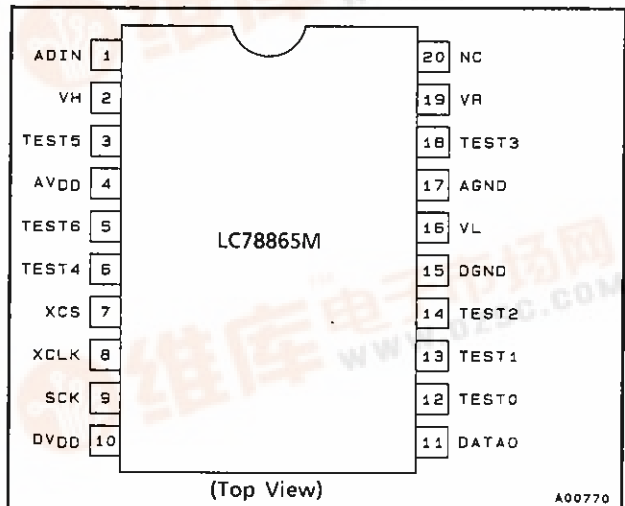
OVERVIEW

The LC78865M is a 16-bit single-channel CMOS A/D converter designed for digital audio applications. It uses the charge re-distribution successive approximation conversion technique.

FEATURES

- Single-channel 16-bit A/D converter with microcontroller interface
- Uses the charge re-distribution successive approximation conversion technique
- LSB-first, offset-binary output data format
- On-chip sample-and-hold
- Single +5 V supply
- CMOS process

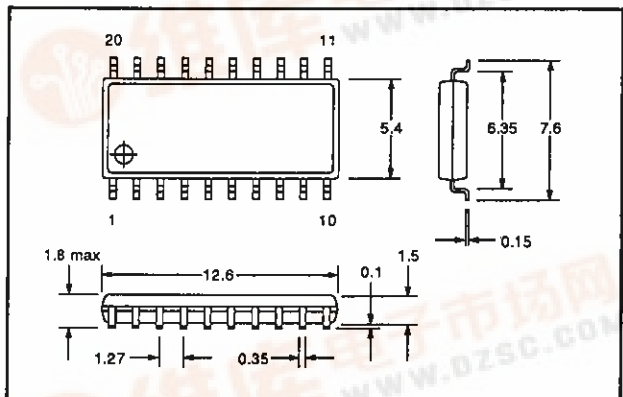
PIN ASSIGNMENT



PACKAGE DIMENSIONS

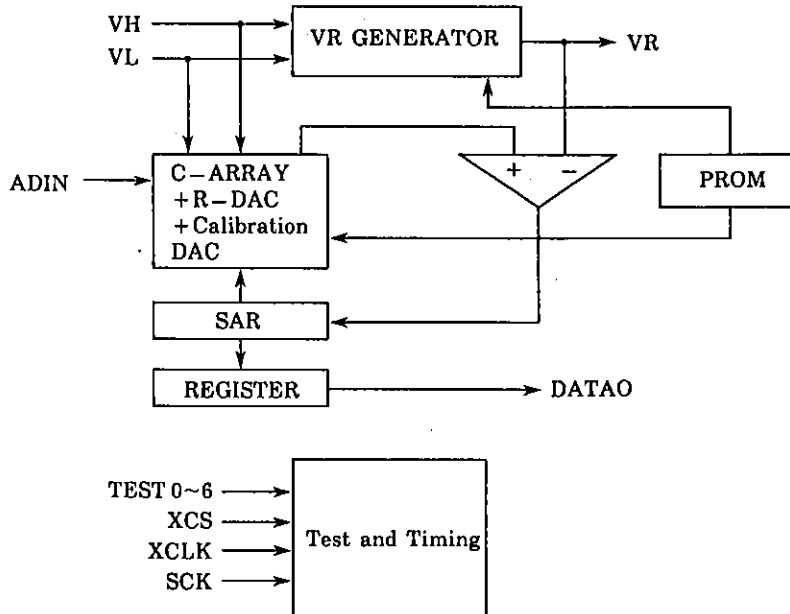
Unit: mm

3036B-MFP20



LC78865M

BLOCK DIAGRAM



PIN DESCRIPTION

Name	Number	Description
1	ADIN	Analog input
2	VH	HIGH-level reference voltage
3	TEST5	Test pin. This pin has internal pull-up. Leave open for normal operation.
4	AVDD	Analog supply voltage
5	TEST6	Test pin. Connect to digital ground for normal operation.
6	TEST4	Test pin. Connect to digital ground for normal operation.
7	XCS	Data control pin. When XCS is LOW, the last-converted data is output on the DATA0 pin. This pin is normally controlled by a microcontroller.
8	XCLK	Data transfer clock input
9	SCK	System clock input
10	DVDD	Digital supply
11	DATA0	Digital output data. This pin is high-impedance when XCS is HIGH.
12	TEST0	Test pin. Connect to digital ground for normal operation.
13	TEST1	Test pin. Connect to digital ground for normal operation.
14	TEST2	Test pin. Connect to digital ground for normal operation.
15	DGND	Digital ground
16	VL	LOW-level reference voltage
17	AGND	Analog ground
18	TEST3	Test pin. Leave open for normal operation.
19	VR	Reference voltage output. The voltage on this pin is equal to $(V_H + V_L)/2$. Leave it open for normal operation.
20	NC	No connection

LC78865M

SPECIFICATIONS

Absolute Maximum Ratings

$T_a = 25\text{ }^\circ\text{C}$, $V_{SS} = 0\text{ V}$

Parameter	Symbol	Rating	Unit
Supply voltage	V_{DD}	-0.3 to 7.0	V
Input voltage	V_{IN}	-0.3 to $V_{DD} + 0.3$	V
Output voltage	V_{OUT}	-0.3 to $V_{DD} + 0.3$	V
Operating temperature	T_{opr}	-20 to 75	$^\circ\text{C}$
Storage temperature	T_{stg}	-40 to 125	$^\circ\text{C}$

Recommended DC Operating Conditions

$T_a = 25\text{ }^\circ\text{C}$, $V_{SS} = 0\text{ V}$

Parameter	Symbol	Rating			Unit
		min	typ	max	
Supply voltage	V_{DD}	4.5	5.0	5.5	V
HIGH-level reference voltage	V_H	3.3	-	V_{DD}	V
LOW-level reference voltage	V_L	0	-	1.2	V
Analog input voltage	V_{AIN}	V_L	-	V_H	V

DC Electrical Characteristics

$T_a = -20\text{ to }75\text{ }^\circ\text{C}$, $V_{DD} = 4.5\text{ to }5.5\text{ V}$, $V_{SS} = 0\text{ V}$

Parameter	Symbol	Condition	Rating			Unit
			min	typ	max	
HIGH-level input voltage	V_{IH}	All digital inputs except SCK	2.2	-	-	V
LOW-level input voltage	V_{IL}	All digital inputs except SCK	-	-	0.8	V
HIGH-level output voltage	V_{OH}	$I_{OH} = -1\text{ }\mu\text{A}$	$V_{DD} - 0.05$	-	-	V
LOW-level output voltage	V_{OL}	$I_{OL} = 1\text{ }\mu\text{A}$	-	-	$V_{SS} + 0.05$	V
Clock input pulsewidth	t_{SCK}	SCK pin	0.5	-	-	V_{pp}

AC Characteristics

$T_a = -20\text{ to }75\text{ }^\circ\text{C}$, $V_{DD} = 4.5\text{ to }5.5\text{ V}$, $V_{SS} = 0\text{ V}$

Parameter	Symbol	Conditions	Rating			Unit
			min	typ	max	
XCS setup time	T_{XCSS}		1.5	-	-	μs
XCS hold time	T_{XCSh}		1.5	-	-	μs
XCLK cycle time	T_{XCKC}		1.0	-	-	μs
XCLK pulsewidth	TH		300	-	-	ns
DATA0 delay time	TDL		0	-	150	ns
SCK clock frequency	F _{SCK}		5	14.32	16	MHz

LC78865M

Analog Characteristics

$T_a = 25\text{ }^\circ\text{C}$, $AV_{DD} = DV_{DD} = 5.0\text{ V}$, $V_H = 5.0\text{ V}$, $V_L = 0\text{ V}$

Parameter	Symbol	Condition	Rating			Unit
			min	typ	max	
A/D conversion frequency	f_s	See note.	17.4	49.7	55.6	kHz
Linearity	LE		-	-	0.025	%
Power consumption	P_D		-	70	130	mW

Note

One conversion takes 288 SCK cycles. After conversion, the whole output word is loaded into the output register. Thus, while XCS is HIGH, the output register is updated every 288 SCK cycles. When XCS goes LOW, output register update is inhibited and preparation for output takes place.

Input Impedance

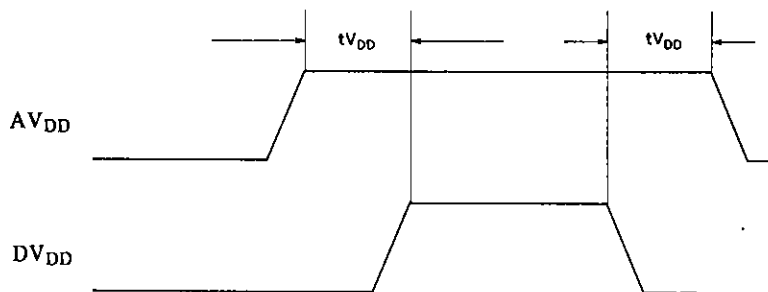
$AV_{DD} = DV_{DD} = 5.0\text{ V}$, $V_H = 5.0\text{ V}$, $V_L = 0\text{ V}$

Parameter	Symbol	Condition	Rating			Unit
			min	typ	max	
Input impedance	ADIN	DC input, Sampling rate = 49.7 kHz	5	-	-	M Ω
		1 kHz AC input, Sampling rate = 49.7 kHz	250	-	-	k Ω

SUPPLY TIMING

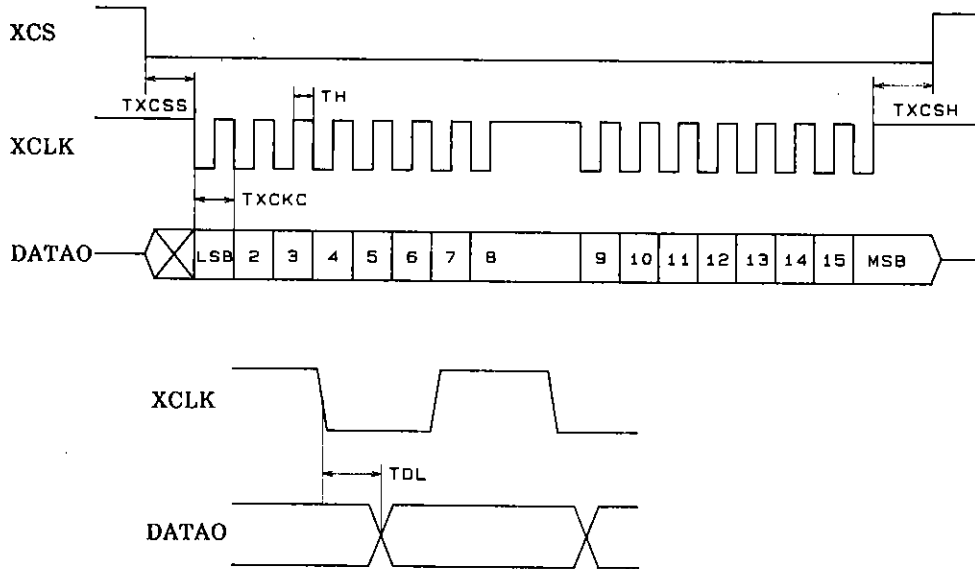
The analog and digital supply lines, AV_{DD} and DV_{DD} , are completely independent. The ground lines, AGND and DGND, should be connected together on the circuit board. The two supply lines should power-up and

power-down at exactly the same time. At worst, the digital supply line can come up two or three milliseconds behind the analog line, but never before it. The reverse applies on power-down.



A00768

TIMING DIAGRAM



A00769

THE CONVERSION TECHNIQUE

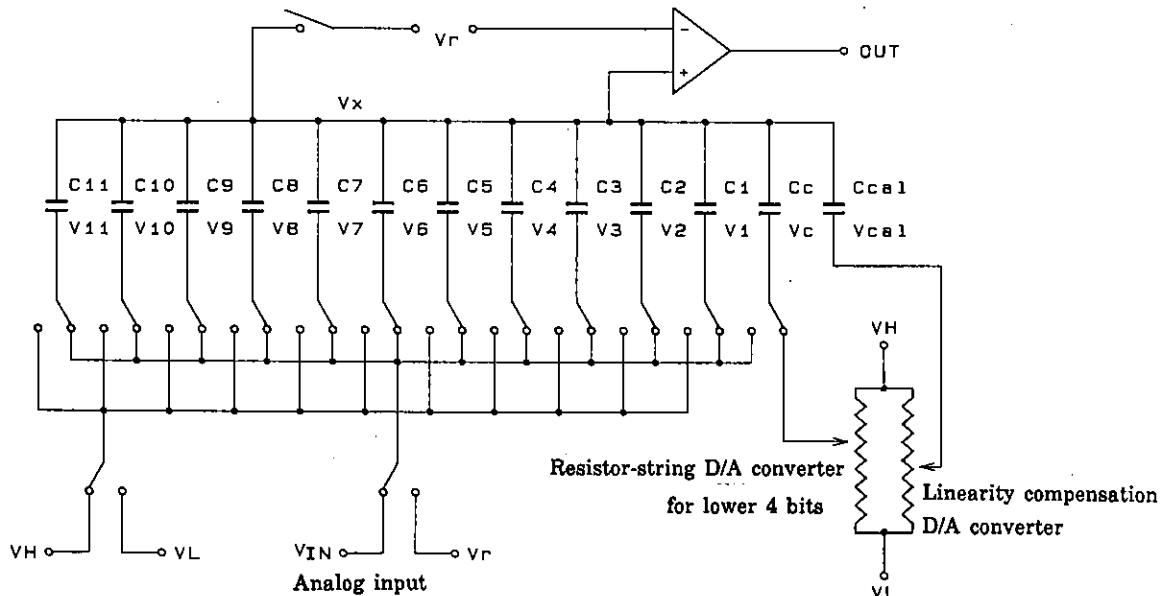
The LC78865M uses the charge re-distribution successive approximation technique. It includes a capacitive charge accumulator for the upper 12 bits, a resistor string DAC for the lower four bits, and a linearity compensation resistor string DAC.

The converter works by accumulating a charge proportional to the input voltage in the accumulation capacitors. The voltage produced is compared with the reference voltages. Each bit of the output word is determined sequentially, from most-significant to least-significant. The charge accumulation capacitors also function as a sample-and-hold circuit. The device

operates from a single supply voltage using a virtual earth voltage, V_r , halfway between the two reference voltages. The successive approximation comparisons use a signed-magnitude comparison with V_r as the reference.

The resolution of the successive approximation technique described above is limited by the accuracy of the internal reference, V_r , and the accumulation capacitors. Errors caused by these effects are measured at the factory for each device, and the error characteristic stored in internal PROM. The data from the PROM is used to drive the linearity compensation D/A converter.

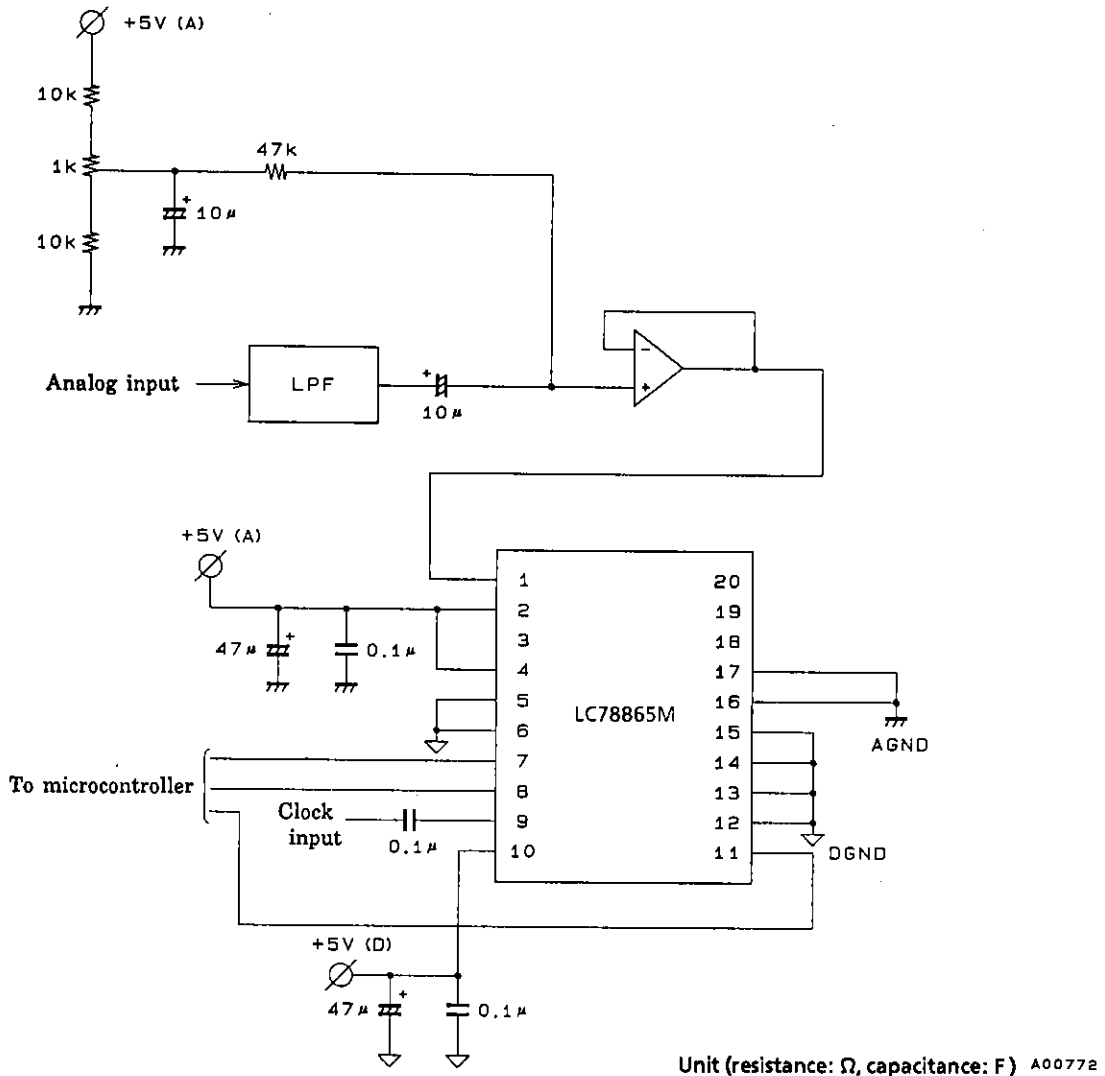
Charge Accumulation Successive Approximation Converter



A00771

LC78865M

APPLICATION CIRCUIT



- No products described or contained herein are intended for use in surgical implants, life-support systems, aerospace equipment, nuclear power control systems, vehicles, disaster/crime-prevention equipment and the like, the failure of which may directly or indirectly cause injury, death or property loss.
- Anyone purchasing any products described or contained herein for an above-mentioned use shall:
 - ① Accept full responsibility and indemnify and defend SANYO ELECTRIC CO., LTD., its affiliates, subsidiaries and distributors and all their officers and employees, jointly and severally, against any and all claims and litigation and all damages, cost and expenses associated with such use;
 - ② Not impose any responsibility for any fault or negligence which may be cited in any such claim or litigation on SANYO ELECTRIC CO., LTD., its affiliates, subsidiaries and distributors or any of their officers and employees jointly or severally.
- Information (including circuit diagrams and circuit parameters) herein is for example only; it is not guaranteed for volume production. SANYO believes information herein is accurate and reliable, but no guarantees are made or implied regarding its use or any infringements of intellectual property rights or other rights of third parties.