

Features

- Fast Read Access Time - 45 ns
- Low Power CMOS Operation
 - 100 μ A max. Standby
 - 25 mA max. Active at 5 MHz (AT27C010L)
 - 35 mA max. Active at 5 MHz (AT27C010)
- JEDEC Standard Packages
 - 32-Lead 600-mil PDIP
 - 32-Lead PLCC
 - 32-Lead TSOP
- 5V \pm 10% Supply
- High Reliability CMOS Technology
 - 2000V ESD Protection
 - 200 mA Latchup Immunity
- Rapid™ Programming Algorithm - 100 μ s/byte (typical)
- CMOS and TTL Compatible Inputs and Outputs
- Integrated Product Identification Code
- Commercial and Industrial Temperature Ranges

Description

The AT27C010/L is a low-power, high performance 1,048,576 bit one-time programmable read only memory (OTP EPROM) organized as 128K by 8 bits. They require only one 5V power supply in normal read mode operation. Any byte can be accessed in less than 45 ns, eliminating the need for speed reducing WAIT states on high performance microprocessor systems.

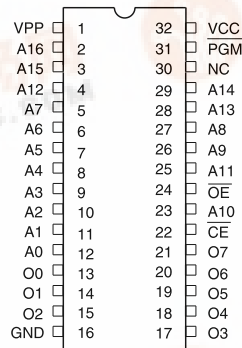
Two power versions are offered. In read mode, the AT27C010 typically consumes 25 mA while the AT27C010L requires only 8 mA. Standby mode supply current for both parts is typically less than 10 μ A.

(continued)

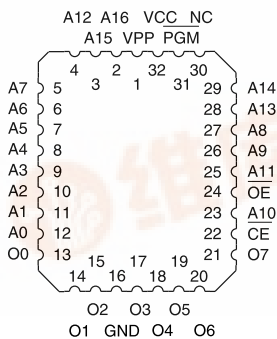
Pin Configurations

Pin Name	Function
A0 - A16	Addresses
O0 - O7	Outputs
\overline{CE}	Chip Enable
\overline{OE}	Output Enable
PGM	Program Strobe
NC	No Connect

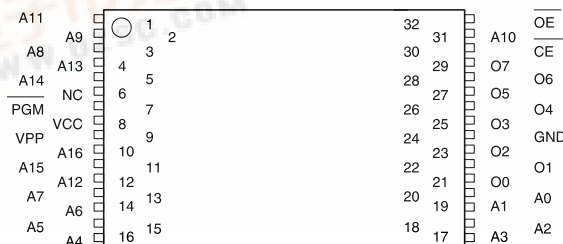
PDIP Top View



PLCC Top View



TSOP Top View
Type 1



1 Megabit
(128K x 8)
OTP
CMOS EPROM





Description (Continued)

The AT27C010/L is available in a choice of industry standard JEDEC-approved one-time programmable (OTP) plastic PDIP, PLCC, and TSOP packages. All devices feature two line control (\overline{CE} , \overline{OE}) to give designers the flexibility to prevent bus contention.

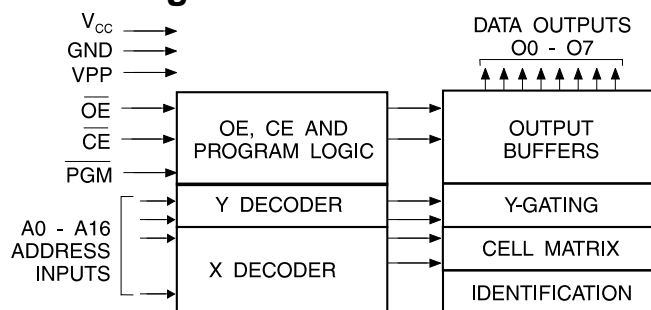
With 128K byte storage capability, the AT27C010/L allows firmware to be stored reliably and to be accessed by the system without the delays of mass storage media.

Atmel's 27C010/L have additional features to ensure high quality and efficient production use. The Rapid™ Programming Algorithm reduces the time required to program the part and guarantees reliable programming. Programming time is typically only 100 μ s/byte. The Integrated Product Identification Code electronically identifies the device and manufacturer. This feature is used by industry standard programming equipment to select the proper programming algorithms and voltages.

System Considerations

Switching between active and standby conditions via the Chip Enable pin may produce transient voltage excursions. Unless accommodated by the system design, these transients may exceed data sheet limits, resulting in device non-conformance. At a minimum, a 0.1 μ F high frequency, low inherent inductance, ceramic capacitor should be utilized for each device. This capacitor should be connected between the V_{CC} and Ground terminals of the device, as close to the device as possible. Additionally, to stabilize the supply voltage level on printed circuit boards with large EPROM arrays, a 4.7 μ F bulk electrolytic capacitor should be utilized, again connected between the V_{CC} and Ground terminals. This capacitor should be positioned as close as possible to the point where the power supply is connected to the array.

Block Diagram



Absolute Maximum Ratings*

Temperature Under Bias	-55°C to +125°C
Storage Temperature.....	-65°C to +150°C
Voltage on Any Pin with Respect to Ground.....	-2.0V to +7.0V ⁽¹⁾
Voltage on A9 with Respect to Ground	-2.0V to +14.0V ⁽¹⁾
V _{PP} Supply Voltage with Respect to Ground.....	-2.0V to +14.0V ⁽¹⁾

*NOTICE: Stresses beyond those listed under “Absolute Maximum Ratings” may cause permanent damage to the device. This is a stress rating only and functional operation of the device at these or any other conditions beyond those indicated in the operational sections of this specification is not implied. Exposure to absolute maximum rating conditions for extended periods may affect device reliability.

Note: 1. Minimum voltage is -0.6V dc which may undershoot to -2.0V for pulses of less than 20 ns. Maximum output pin voltage is V_{CC} + 0.75V dc which may overshoot to +7.0V for pulses of less than 20 ns.

Operating Modes

Mode \ Pin	\overline{CE}	\overline{OE}	\overline{PGM}	A _i	V _{PP}	Outputs
Read	V _{IL}	V _{IL}	X ⁽¹⁾	A _i	X	DOUT
Output Disable	X	V _{IH}	X	X	X	High Z
Standby	V _{IH}	X	X	X	X	High Z
Rapid Program ⁽²⁾	V _{IL}	V _{IH}	V _{IL}	A _i	V _{PP}	DIN
PGM Verify	V _{IL}	V _{IL}	V _{IH}	A _i	V _{PP}	DOUT
PGM Inhibit	V _{IH}	X	X	X	V _{PP}	High Z
Product Identification ⁽⁴⁾	V _{IL}	V _{IL}	X	A ₉ = V _H ⁽³⁾ A ₀ = V _{IH} or V _{IL} A ₁ - A ₁₆ = V _{IL}	X	Identification Code

Notes: 1. X can be V_{IL} or V_{IH}.
2. Refer to Programming characteristics.
3. V_H = 12.0 ± 0.5V.

4. Two identifier bytes may be selected. All A_i inputs are held low (V_{IL}), except A₉ which is set to V_H and A₀ which is toggled low (V_{IL}) to select the Manufacturer's Identification byte and high (V_{IH}) to select the Device Code byte.



DC and AC Operating Conditions for Read Operation

AT27C010 / AT27C010L							
		-45	-55	-70	-90	-12	-15
Operating Temp. (Case)	Com.	0°C - 70°C	0°C - 70°C	0°C - 70°C	0°C - 70°C	0°C - 70°C	0°C - 70°C
	Ind.	-40°C - 85°C	-40°C - 85°C	-40°C - 85°C	-40°C - 85°C	-40°C - 85°C	-40°C - 85°C
V _{CC} Supply		5V ± 10%	5V ± 10%	5V ± 10%	5V ± 10%	5V ± 10%	5V ± 10%

DC and Operating Characteristics for Read Operation

Symbol	Parameter	Condition	Min	Max	Units	
I _{LI}	Input Load Current	V _{IN} = 0V to V _{CC}		±1	μA	
I _{LO}	Output Leakage Current	V _{OUT} = 0V to V _{CC}		±5	μA	
I _{PP1} ⁽²⁾	V _{PP} ⁽¹⁾ Read/Standby Current	V _{PP} = V _{CC}		10	μA	
I _{SB}	V _{CC} ⁽¹⁾ Standby Current	I _{SB1} (CMOS), $\overline{CE} = V_{CC} \pm 0.3V$		100	μA	
		I _{SB2} (TTL), $\overline{CE} = 2.0$ to V _{CC} + 0.5V		1	mA	
I _{CC}	V _{CC} Active Current	f = 5 MHz, I _{OUT} = 0 mA, $\overline{CE} = V_{IL}$	AT27C010L		25	mA
			AT27C010		35	mA
V _{IL}	Input Low Voltage		-0.6	0.8	V	
V _{IH}	Input High Voltage		2.0	V _{CC} + 0.5	V	
V _{OL}	Output Low Voltage	I _{OL} = 2.1 mA		0.4	V	
V _{OH}	Output High Voltage	I _{OH} = -400 μA	2.4		V	

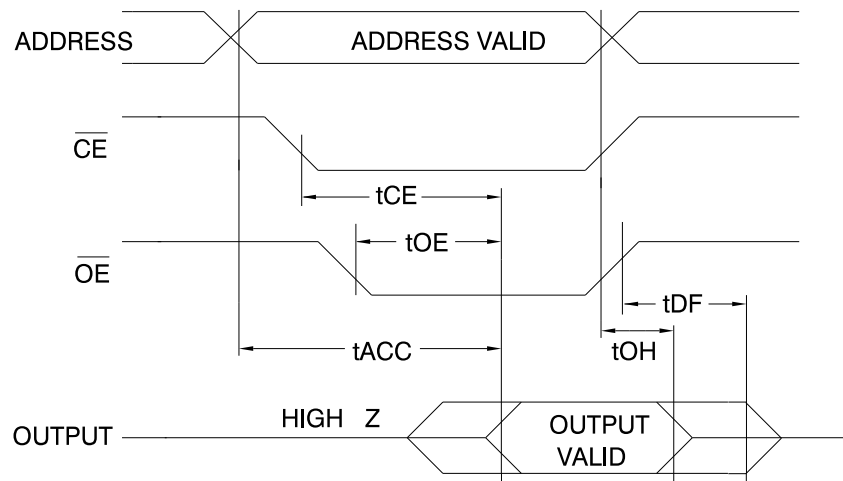
Notes: 1. V_{CC} must be applied simultaneously or before V_{PP}, and removed simultaneously or after V_{PP}. 2. V_{PP} may be connected directly to V_{CC}, except during programming. The supply current would then be the sum of I_{CC} and I_{PP}.

AC Characteristics for Read Operation

			AT27C010 / AT27C010L												
			-45		-55		-70		-90		-12		-15		Units
Symbol	Parameter	Condition	Min	Max	Min	Max	Min	Max	Min	Max	Min	Max	Min	Max	
t _{ACC} ⁽³⁾	Address to Output Delay	$\overline{CE} = \overline{OE} = V_{IL}$	45		55		70		90		120		150	ns	
t _{CE} ⁽²⁾	\overline{CE} to Output Delay	$\overline{OE} = V_{IL}$	45		55		70		90		120		150	ns	
t _{OE} ^(2, 3)	\overline{OE} to Output Delay	$\overline{CE} = V_{IL}$	20		25		30		35		35		40	ns	
t _{DF} ^(4, 5)	\overline{OE} or \overline{CE} High to Output Float, whichever occurred first		20		20		25		25		30		35	ns	
t _{OH}	Output Hold from Address, \overline{CE} or \overline{OE} , whichever occurred first		7		7		7		0		0		0	ns	

Notes: 2, 3, 4, 5. - see AC Waveforms for Read Operation.

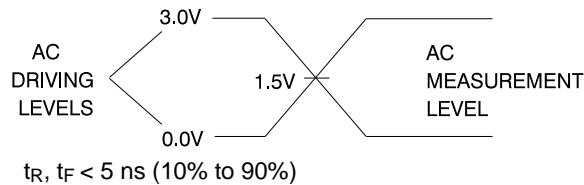
AC Waveforms for Read Operation ⁽¹⁾



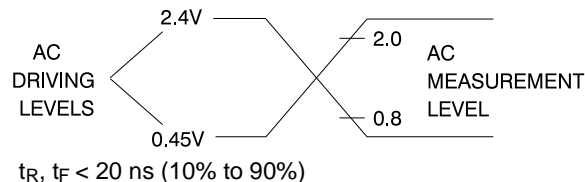
- Notes:
1. Timing measurement reference level is 1.5V for -45 and -55 devices. Input AC drive levels are $V_{IL} = 0.0V$ and $V_{IH} = 3.0V$. Timing measurement reference levels for all other speed grades are $V_{OL} = 0.8V$ and $V_{OH} = 2.0V$. Input AC drive levels are $V_{IL} = 0.45V$ and $V_{IH} = 2.4V$.
 2. \overline{OE} may be delayed up to $t_{CE} - t_{OE}$ after the falling edge of \overline{CE} without impact on t_{CE} .
 3. \overline{OE} may be delayed up to $t_{ACC} - t_{OE}$ after the address is valid without impact on t_{ACC} .
 4. This parameter is only sampled and is not 100% tested.
 5. Output float is defined as the point when data is no longer driven.

Input Test Waveforms and Measurement Levels

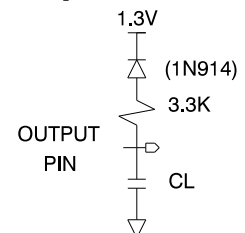
For -45 and -55 devices only:



For -70, -90, -12, -15, and -20 devices:



Output Test Load



Note: $CL = 100 \text{ pF}$ including jig capacitance, except for the -45 and -55 devices, where $CL = 30 \text{ pF}$.

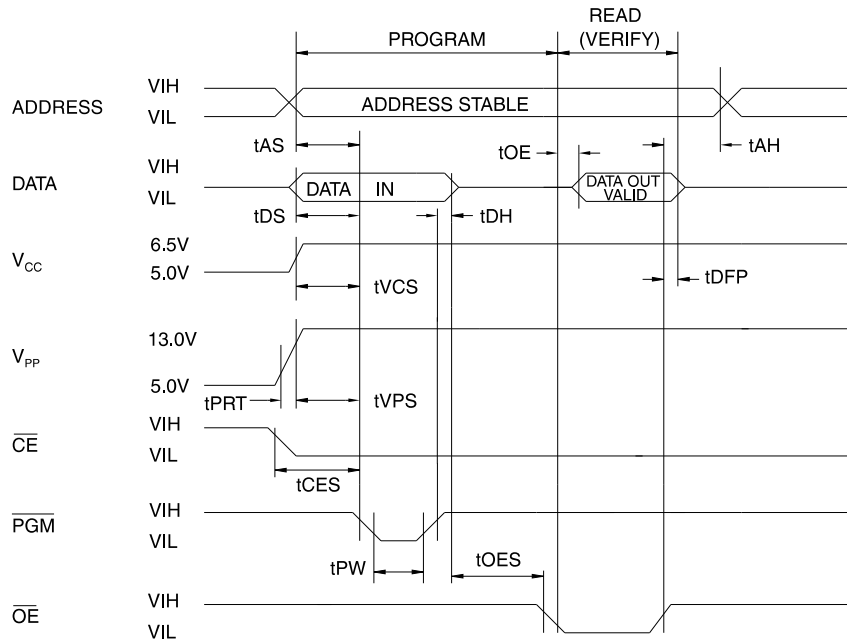
Pin Capacitance ($f = 1 \text{ MHz}$, $T = 25^\circ\text{C}$) ⁽¹⁾

	Typ	Max	Units	Conditions
C_{IN}	4	8	pF	$V_{IN} = 0V$
C_{OUT}	8	12	pF	$V_{OUT} = 0V$

Note: 1. Typical values for nominal supply voltage. This parameter is only sampled and is not 100% tested.



Programming Waveforms ⁽¹⁾



- Notes:
1. The Input Timing Reference is 0.8V for V_{IL} and 2.0V for V_{IH} .
 2. t_{OE} and t_{DFP} are characteristics of the device but must be accommodated by the programmer.

3. When programming the AT27C010/L, a 0.1 μF capacitor is required across V_{PP} and ground to suppress spurious voltage transients.

DC Programming Characteristics

$T_A = 25 \pm 5^\circ\text{C}$, $V_{CC} = 6.5 \pm 0.25\text{V}$, $V_{PP} = 13.0 \pm 0.25\text{V}$

Symbol	Parameter	Test Conditions	Limits		Units
			Min	Max	
I_{LI}	Input Load Current	$V_{IN} = V_{IL}, V_{IH}$		± 10	μA
V_{IL}	Input Low Level		-0.6	0.8	V
V_{IH}	Input High Level		2.0	$V_{CC} + 1$	V
V_{OL}	Output Low Voltage	$I_{OL} = 2.1 \text{ mA}$		0.4	V
V_{OH}	Output High Voltage	$I_{OH} = -400 \mu\text{A}$	2.4		V
I_{CC2}	V_{CC} Supply Current (Program and Verify)			40	mA
I_{PP2}	V_{PP} Supply Current	$\overline{CE} = \overline{PGM} = V_{IL}$		20	mA
V_{ID}	A9 Product Identification Voltage		11.5	12.5	V

AC Programming Characteristics

$T_A = 25 \pm 5^\circ\text{C}$, $V_{CC} = 6.5 \pm 0.25\text{ V}$, $V_{PP} = 13.0 \pm 0.25\text{ V}$

Symbol	Parameter	Test Conditions* (1)	Limits		Units
			Min	Max	
t _{AS}	Address Setup Time		2		μs
t _{CES}	$\overline{\text{CE}}$ Setup Time		2		μs
t _{OES}	$\overline{\text{OE}}$ Setup Time		2		μs
t _{DS}	Data Setup Time		2		μs
t _{AH}	Address Hold Time		0		μs
t _{DH}	Data Hold Time		2		μs
t _{DFP}	$\overline{\text{OE}}$ High to Output Float Delay (2)		0	130	ns
t _{VPS}	V _{PP} Setup Time		2		μs
t _{VCS}	V _{CC} Setup Time		2		μs
t _{PW}	PGM Program Pulse Width (3)		95	105	μs
t _{OE}	Data Valid from $\overline{\text{OE}}$			150	ns
t _{PRT}	V _{PP} Pulse Rise Time During Programming		50		ns

***AC Conditions of Test:**

Input Rise and Fall Times (10% to 90%).....20 ns
 Input Pulse Levels.....0.45V to 2.4V
 Input Timing Reference Level.....0.8V to 2.0V
 Output Timing Reference Level.....0.8V to 2.0V

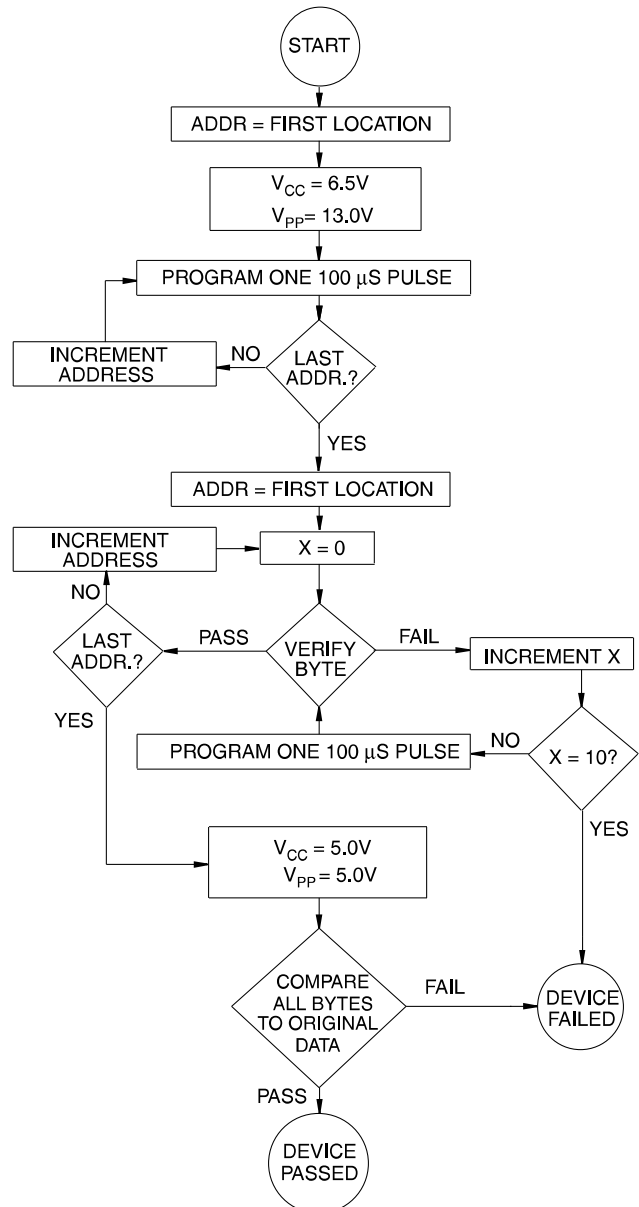
- Notes: 1. V_{CC} must be applied simultaneously or before V_{PP} and removed simultaneously or after V_{PP}.
 2. This parameter is only sampled and is not 100% tested. Output Float is defined as the point where data is no longer driven — see timing diagram.
 3. Program Pulse width tolerance is 100 μsec ± 5%.

Atmel's 27C010/L Integrated Product Identification Code

Codes	Pins									Hex Data
	A0	O7	O6	O5	O4	O3	O2	O1	O0	
Manufacturer	0	0	0	0	1	1	1	1	0	1E
Device Type	1	0	0	0	0	0	1	0	1	05

Rapid Programming Algorithm

A 100 μs $\overline{\text{PGM}}$ pulse width is used to program. The address is set to the first location. V_{CC} is raised to 6.5V and V_{PP} is raised to 13.0V. Each address is first programmed with one 100 μs $\overline{\text{PGM}}$ pulse without verification. Then a verification / reprogramming loop is executed for each address. In the event a byte fails to pass verification, up to 10 successive 100 μs pulses are applied with a verification after each pulse. If the byte fails to verify after 10 pulses have been applied, the part is considered failed. After the byte verifies properly, the next address is selected until all have been checked. V_{PP} is then lowered to 5.0V and V_{CC} to 5.0V. All bytes are read again and compared with the original data to determine if the device passes or fails.





Ordering Information

t _{ACC} (ns)	I _{CC} (mA)		Ordering Code	Package	Operation Range
	Active	Standby			
45	35	0.1	AT27C010-45JC AT27C010-45PC AT27C010-45TC	32J 32P6 32T	Commercial (0°C to 70°C)
	35	0.1	AT27C010-45JI AT27C010-45PI AT27C010-45TI	32J 32P6 32T	Industrial (-40°C to 85°C)
55	35	0.1	AT27C010-55JC AT27C010-55PC AT27C010-55TC	32J 32P6 32T	Commercial (0°C to 70°C)
	35	0.1	AT27C010-55JI AT27C010-55PI AT27C010-55TI	32J 32P6 32T	Industrial (-40°C to 85°C)
70	35	0.1	AT27C010-70JC AT27C010-70PC AT27C010-70TC	32J 32P6 32T	Commercial (0°C to 70°C)
	35	0.1	AT27C010-70JI AT27C010-70PI AT27C010-70TI	32J 32P6 32T	Industrial (-40°C to 85°C)
90	35	0.1	AT27C010-90JC AT27C010-90PC AT27C010-90TC	32J 32P6 32T	Commercial (0°C to 70°C)
	35	0.1	AT27C010-90JI AT27C010-90PI AT27C010-90TI	32J 32P6 32T	Industrial (-40°C to 85°C)
120	35	0.1	AT27C010-12JC AT27C010-12PC AT27C010-12TC	32J 32P6 32T	Commercial (0°C to 70°C)
	35	0.1	AT27C010-12JI AT27C010-12PI AT27C010-12TI	32J 32P6 32T	Industrial (-40°C to 85°C)
150	35	0.1	AT27C010-15JC AT27C010-15PC AT27C010-15TC	32J 32P6 32T	Commercial (0°C to 70°C)
	35	0.1	AT27C010-15JI AT27C010-15PI AT27C010-15TI	32J 32P6 32T	Industrial (-40°C to 85°C)

Ordering Information

t _{ACC} (ns)	I _{CC} (mA)		Ordering Code	Package	Operation Range
	Active	Standby			
45	25	0.1	AT27C010L-45JC AT27C010L-45PC AT27C010L-45TC	32J 32P6 32T	Commercial (0°C to 70°C)
	25	0.1	AT27C010L-45JI AT27C010L-45PI AT27C010L-45TI	32J 32P6 32T	Industrial (-40°C to 85°C)
55	25	0.1	AT27C010L-55JC AT27C010L-55PC AT27C010L-55TC	32J 32P6 32T	Commercial (0°C to 70°C)
	25	0.1	AT27C010L-55JI AT27C010L-55PI AT27C010L-55TI	32J 32P6 32T	Industrial (-40°C to 85°C)
70	25	0.1	AT27C010L-70JC AT27C010L-70PC AT27C010L-70TC	32J 32P6 32T	Commercial (0°C to 70°C)
	25	0.1	AT27C010L-70JI AT27C010L-70PI AT27C010L-70TI	32J 32P6 32T	Industrial (-40°C to 85°C)
90	25	0.1	AT27C010L-90JC AT27C010L-90PC AT27C010L-90TC	32J 32P6 32T	Commercial (0°C to 70°C)
	25	0.1	AT27C010L-90JI AT27C010L-90PI AT27C010L-90TI	32J 32P6 32T	Industrial (-40°C to 85°C)
120	25	0.1	AT27C010L-12JC AT27C010L-12PC AT27C010L-12TC	32J 32P6 32T	Commercial (0°C to 70°C)
	25	0.1	AT27C010L-12JI AT27C010L-12PI AT27C010L-12TI	32J 32P6 32T	Industrial (-40°C to 85°C)
150	25	0.1	AT27C010L-15JC AT27C010L-15PC AT27C010L-15TC	32J 32P6 32T	Commercial (0°C to 70°C)
	25	0.1	AT27C010L-15JI AT27C010L-15PI AT27C010L-15TI	32J 32P6 32T	Industrial (-40°C to 85°C)

Package Type	
32J	32 Lead, Plastic J-Leaded Chip Carrier (PLCC)
32P6	32 Lead, 0.600" Wide, Plastic Dual Inline Package (PDIP)
32T	32 Lead, Plastic Thin Small Outline Package (TSOP)