

IEC INLET FILTERS



Primary Power Components Division

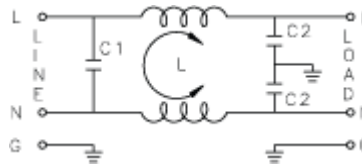
[EMI Filter Cross Reference](#)

[EMI Filter Inquiry Form](#)

RoHS
Compliant

857 Series Right Angle Multi-Purpose Filters

A compact filter with IEC connector for EMI suppression

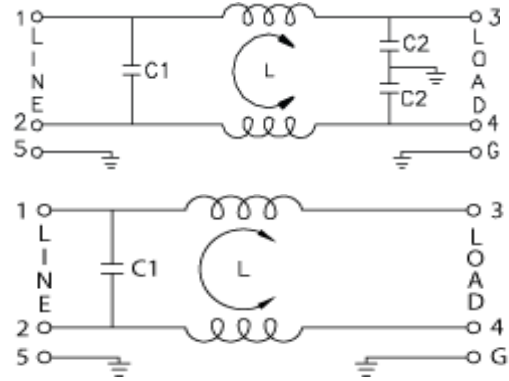


Part Number		Similar to Corcom	Amp Rating	Size (in.) L x W x H
857-01/046		1EF2F	1	1.50 x 1.22 x 1.02
857-03/047		3EF2F	3	1.50 x 1.22 x 1.02
857-06/048		6EF2F	6	1.50 x 1.22 x 1.02
857-10/049		10EF2F	10	1.50 x 1.22 x 1.02

858 Series Screw Mount IEC Connector

Screw Mount high performance filter With a C20 connector



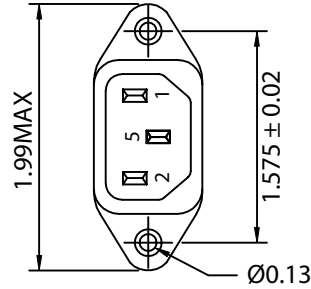
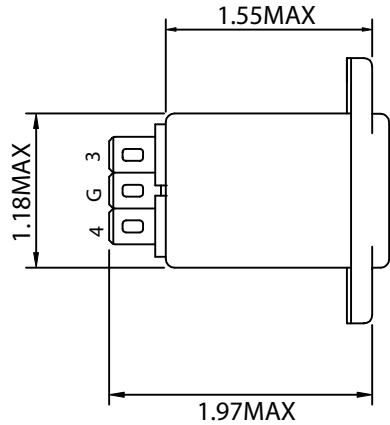


Part Number		Similar to Corcom	Amp Rating	Size (in.) L x W x H
858-01/003		1ED1/1EEB1/1EEC1	1	1.97 x 1.99 x 0.83
858-03/007		3ED1/3EEA1/3EEB1/3EEC1/3EF1F	3	1.97 x 1.99 x 0.83
858-03/013		3EC1	3	1.97 x 1.99 x 0.83
858-06/011		6ED1/6EEA1/6EEB1/6EEC1/6EF	6	2.10 x 2.05 x 0.85
858-06/014		6EC1	6	2.10 x 2.05 x 0.85
858-10/015		10ED1/10EEA1/10EEB1/10EF1F	10	1.97 x 1.99 x 0.83

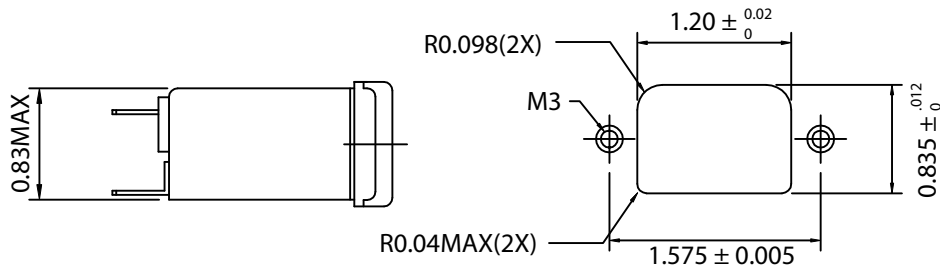
THESE DRAWINGS ARE THE PROPERTY OF QUALTEK ELECTRONICS AND NOT TO BE REPRODUCED FOR OR COMMUNICATED TO A THIRD PARTY WITHOUT THE EXPRESS WRITTEN PERMISSION OF AN OFFICER OF QUALTEK ELECTRONICS.

REVISION			
REV.	DESCRIPTION		APPROVED
B	RoHS Compliance		DP

1. PHYSICAL DIMENSIONS



CUTOUT (MOUNTING FROM FRONT)



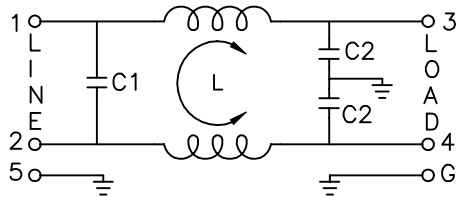
ELECTRICAL CHARACTERISTICS:

- 1-1. VOLTAGE RATING.....115/250VAC
- 1-2. CURRENT RATING
 - A. @ 115 VAC.....3 A RMS MAX
 - B. @ 250 VAC.....3 A RMS MAX
- 1-3. OPERATING FREQUENCY.....50/60Hz
- 1-4. LEAKAGE CURRENT: EACH LINE TO GROUND
 - A. @ 115 VAC 60Hz.....0.20 mA MAX
 - B. @ 250 VAC 50Hz.....0.40 mA MAX
- 1-5. HIPOT RATING (FOR ONE MINUTE)
 - A. LINE TO GROUND.....2250 VDC
 - B. LINE TO LINE.....1450 VDC
- 1-6. MINIMUM INSERTION LOSS IN dB: (AT 50 OHM SYSTEM)

FREQ. MHz	.01	.05	.10	.15	.50	1.0	5.0	10	30
COM. MODE dB	/	12	18	20	35	30	38	40	40
DIF. MODE dB	/	1	2	4	12	18	38	40	40

- 1-7. OPERATING TEMPERATURE.....-25° TO +85° C
- 1-8. SAFETY:
- 1-9. RoHS COMPLIANT

2. ELECTRICAL SCHEMATIC



L: 2.5mH
 C1: 0.1uF
 C2: 2200pF

CONTROLLED

Dim range (mm)	Tolerance +/- (mm)	Qualtek Electronics Corp. PPC DIVISION	
		Part Number: 858-03/007	
0-1	0.15	Description: EMI FILTER	
1-6	0.20		UNIT: in
6-18	0.30		
18-50	0.50		
50-120	0.70	Drawn / Date	
120-250	0.90	B.ZHANG	
250-500	1.20		