



## LC863532A/28A/24A/20A/16A

### 8-Bit Single-Chip Microcontroller

#### Preliminary

#### Overview

The LC863532/28/24/20/16A are 8-bit single chip microcontrollers with the following on-chip functional blocks:

- CPU : Operable at a minimum bus cycle time of 0.424 $\mu$ s
  - On-chip ROM capacity
    - Program ROM : 32K/28K/24K/20K/16K bytes
    - CGROM : 16K bytes
  - On-chip RAM capacity : 512 bytes
  - OSD RAM : 352  $\times$  9 bits
  - Closed-Caption TV controller and the on-screen display controller
  - Four channels  $\times$  6-bit AD Converter
  - Three channels  $\times$  7-bit PWM
  - Two channels  $\times$  16-bit timer/counter, 14-bit base timer
  - IIC-bus compliant serial interface circuit (Multi-master type)
  - ROM correction function
  - 12-source 8-vectored interrupt system
  - Integrated system clock generator and display clock generator
    - Only one X'tal oscillator (32.768kHz) for PLL reference is used for both generators
    - TV control and the Closed Caption function
- All of the above functions are fabricated on a single chip.

Note : This product includes the IIC bus interface circuit. If you intend to use the IIC bus interface, please notify us of this in advance of our receiving your program ROM code order.

Purchase of SANYO IIC components conveys a license under the Philips IIC Patents Rights to use these components in an IIC system, provided that the system conforms to the IIC Standard Specification as defined by Philips.

#### Trademarks

IIC is a trademark of Philips Corporation.

■ Any and all SANYO products described or contained herein do not have specifications that can handle applications that require extremely high levels of reliability, such as life-support systems, aircraft's control systems, or other applications whose failure can be reasonably expected to result in serious physical and/or material damage. Consult with your SANYO representative nearest you before using any SANYO products described or contained herein in such applications.

■ SANYO assumes no responsibility for equipment failures that result from using products at values that exceed, even momentarily, rated values (such as maximum ratings, operating condition ranges, or other parameters) listed in products specifications of any and all SANYO products described or contained herein.



## LC863532A/28A/24A/20A/16A

### Features

- (1) Read-Only Memory (ROM) : 32768 × 8 bits / 28672 × 8 bits / 24576 × 8 bits  
 20486 × 8 bits / 16384 × 8 bits for program  
 16128 × 8 bits for CGROM
- (2) Random Access Memory (RAM) : 384 × 8 bits (working area)  
 128 × 8 bits (working or ROM correction function)  
 352 × 9 bits (for CRT display)
- (3) OSD functions
- Screen display : 36 characters × 16 lines (by software)
  - RAM : 352 words (9 bits per word)
    - Display area : 36 words × 8 lines
    - Control area : 8 words × 8 lines
  - Characters
    - Up to 252 kinds of 16 × 32 dot character fonts  
 (4 characters including 1 test character are not programmable)
    - Each font can be divided into two parts and used as two fonts (Ex. 16 × 16 dot character font × 2)
    - At least 111 characters need to be divide between a 16×18 dot and 8 × 9 dot character font to display the caption fonts.
  - Various character attributes
    - Character colors : 16 colors (analog mode:  $I_{V_{p-p}}$  output) / 8 colors (digital/mode)
    - Character background colors : 16 colors (analog mode:  $I_{V_{p-p}}$  output) / 8 colors (digital/mode)
    - Fringe / shadow colors : 16 colors (analog mode:  $I_{V_{p-p}}$  output) / 8 colors (digital/mode)
    - Full screen colors : 16 colors (analog mode:  $I_{V_{p-p}}$  output) / 8 colors (digital/mode)
    - Rounding
    - Underline
    - Italic character (slanting)
  - Attribute can be changed without spacing
  - Vertical display start line number can be set for each row independently (Rows can be overlapped)
  - Horizontal display start position can be set for each row independently
  - Horizontal pitch (bit 9 - 16)<sup>\*1</sup> and vertical pitch (bit-32) can be set for each row independently
  - Different display modes can be set for each row independently
    - Caption • Text mode / OSD mode 1 / OSD mode 2 (Quarter size) / Simplified graphic mode
  - Ten character sizes<sup>\*1</sup>
    - Horez. × Vert. = (1 × 1), (1 × 2), (2 × 2), (2 × 4), (0.5 × 0.5)
    - (1.5 × 1), (1.5 × 2), (3 × 2), (3 × 4), (0.75 × 0.5)
  - Shuttering and scrolling on each row
  - Simplified Graphic Display
- \*1 Note : range depends on display mode : refer to the manual for details.

### (4) Bus Cycle Time / Instruction-Cycle Time

Bus cycle time	Instruction cycle time	Clock divider	System clock oscillation	Oscillation Frequency	Voltage
0.424μs	0.848μs	1/2	Internal VCO (Ref : X'tal 32.768kHz)	14.156MHz	4.5V to 5.5V
7.5μs	15.0μs	1/2	Internal RC	800kHz	4.5V to 5.5V
91.55μs	183.1μs	1/1	Crystal	32.768kHz	4.5V to 5.5V
183.1μs	366.2μs	1/2	Crystal	32.768kHz	4.5V to 5.5V

### (5) Ports

- Input / Output Ports : 4 ports (24 terminals)
    - Data direction programmable in nibble units : 1 port (8 terminals)
- (If the N-ch open drain output is selected by option, the corresponding port data can be read in output mode.)
- Data direction programmable for each bit individually : 3 ports (16 terminals)

(6) AD converter

- 4 channels × 6-bit AD converters

(7) Serial interfaces

- IIC-bus compliant serial interface (Multi-master type)

Consists of a single built-in circuit with two I/O channels. The two data lines and two clock lines can be connected internally.

(8) PWM output

- 3 channels × 7-bit PWM

(9) Timer

- Timer 0 : 16-bit timer/counter

With 2-bit prescaler + 8-bit programmable prescaler

Mode 0 : Two 8-bit timers with a programmable prescaler

Mode 1 : 8-bit timer with a programmable prescaler + 8-bit counter

Mode 2 : 16-bit timer with a programmable prescaler

Mode 3 : 16-bit counter

The resolution of timer is 1 tCYC.

- Timer 1 : 16-bit timer/PWM

Mode 0 : Two 8-bit timers

Mode 1 : 8-bit timer + 8-bit PWM

Mode 2 : 16-bit timer

Mode 3 : a variable-bit PWM (9 to 16 bits)

In mode 0/1, the resolution of timer/PWM is 1 tCYC

In mode 2/3, the resolution of timer/PWM is selectable by program; tCYC or 1/2 tCYC

- Base timer

Generate every 500ms overflow for a clock application (using 32.768kHz crystal oscillation for the base timer clock)

Generate every 976μs, 3.9ms, 15.6ms, 62.5ms overflow (using 32.768kHz crystal oscillation for the base timer clock)

Clock for the base timer is selectable from 32.768kHz crystal oscillation, system clock or programmable prescaler output of Timer 0

(10) Remote control receiver circuit (connected to the P73/INT3/T0IN terminal)

- Noise rejection function
- Polarity switching

(11) Watchdog timer

External RC circuit is required

Interrupt or system reset is activated when the timer overflows

(12) ROM correction function

Max 128 bytes / 2 addresses

(13) Interrupts

- 12 sources 8 vectored interrupts

1. External Interrupt INT0
2. External Interrupt INT1
3. External Interrupt INT2, Timer/counter T0L (Lower 8 bits)
4. External Interrupt INT3, base timer
5. Timer/counter T0H (Upper 8 bits)
6. Timer T1H, Timer T1L
7. Vertical synchronous signal interrupt ( $\overline{VS}$ ), horizontal line ( $\overline{HS}$ )
8. IIC

- Interrupt priority control

Three interrupt priorities are supported (low, high and highest) and multi-level nesting is possible. Low or high priority can be assigned to the interrupts from 3 to 8 listed above. For the external interrupt INT0 and INT1, low or highest priority can be set.

(14) Sub-routine stack level

- A maximum of 128 levels (stack is built in the internal RAM)

(15) Multiplication/division instruction

- 16 bits  $\times$  8 bits (7 instruction cycle times)
- 16 bits / 8 bits (7 instruction cycle times)

(16) 3 oscillation circuits

- Built-in RC oscillation circuit used for the system clock
- Built-in VCO circuit used for the system clock and OSD
- X'tal oscillation circuit used for base timer, system clock and PLL reference

(17) Standby function

- HALT mode

The HALT mode is used to reduce the power dissipation. In this operation mode, the program execution is stopped. This mode can be released by the interrupt request or the system reset.

- HOLD mode

The HOLD mode is used to stop the oscillations; RC (internal), VCO, and X'tal oscillations. This mode can be released by the following conditions.

- Pull the reset terminal ( $\overline{RES}$ ) to low level.
- Feed the selected level to either P70/INT0 or P71/INT1.

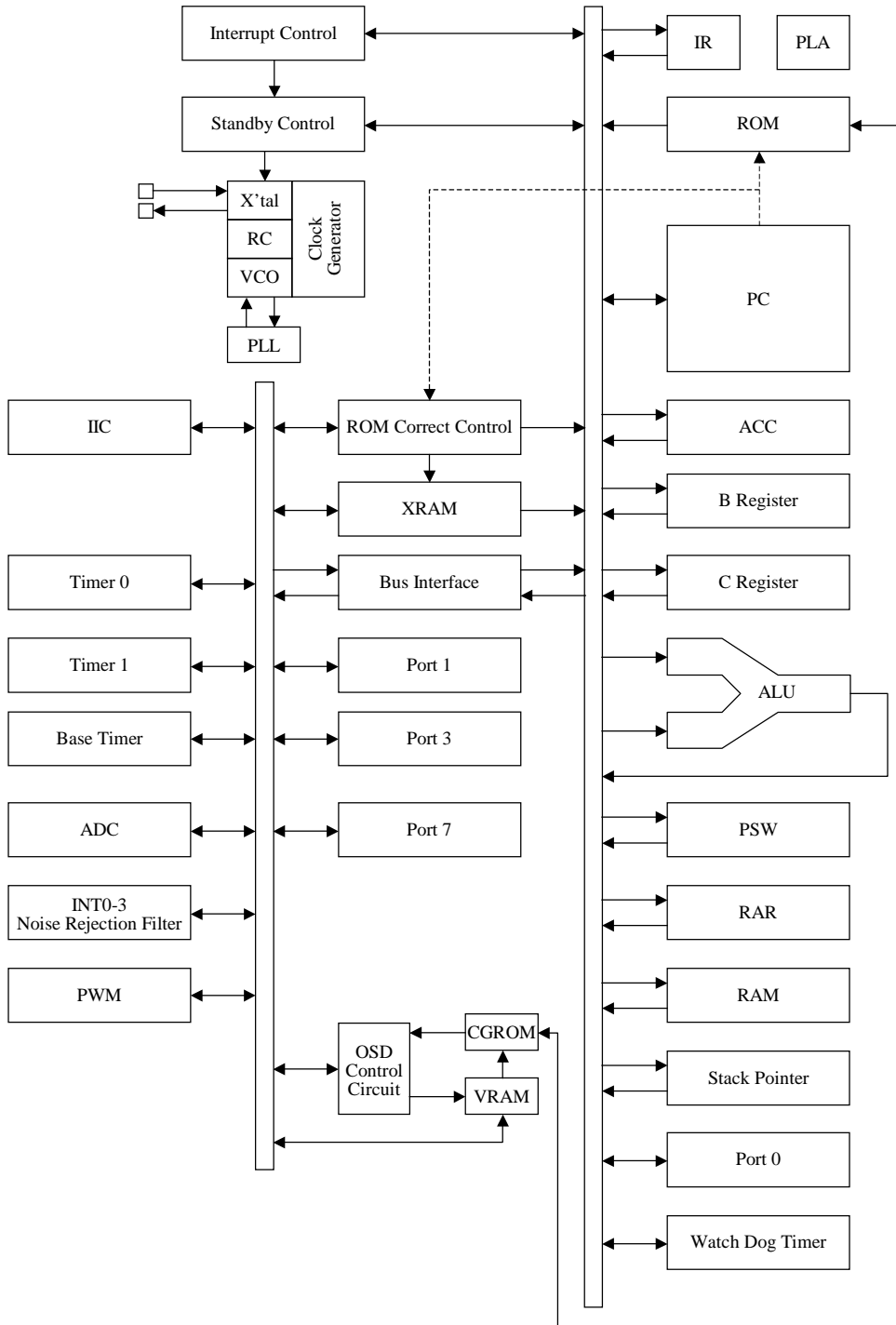
(18) Package

- MFP36S
- DIP36S

(19) Development tools

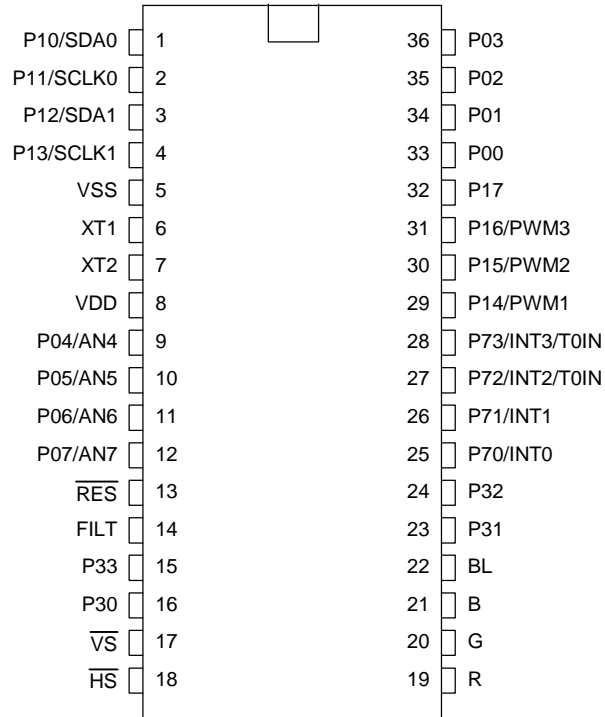
- Flash EEPROM: LC86F3548A
- Evaluation chip: LC863096
- Emulator: EVA86000 (main) + ECB863400 (evaluation chip board)
  - + POD36-CABLE (cable)
  - + POD36-DIP (for DIP36S)
  - or POD36-MFP (for MFP36S)

System Block Diagram



LC863532A/28A/24A/20A/16A

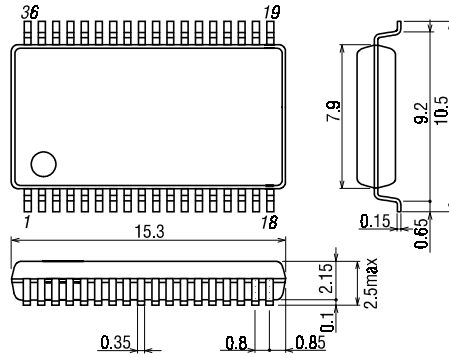
Pin Assignment



Package Dimension

(unit : mm)

3204

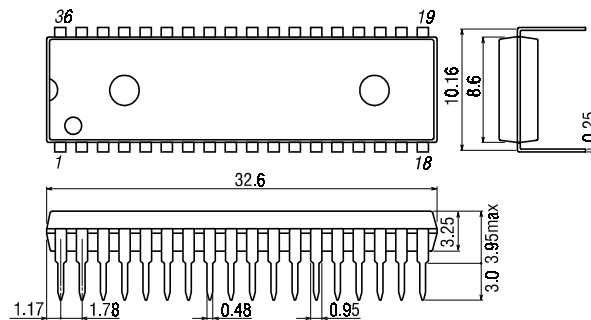


SANYO : MFP-36S

Package Dimension

(unit : mm)

3170



SANYO : DIP-36S

**Pin Description**

Pin Description Table

Terminal	I/O	Function Description	Option																
VSS	-	Negative power supply																	
XT1	I	Input terminal for crystal oscillator																	
XT2	O	Output terminal for crystal oscillator																	
VDD	-	Positive power supply																	
RES	I	Reset terminal																	
FILT	O	Filter terminal for PLL																	
$\overline{VS}$	I	Vertical synchronization signal input terminal																	
$\overline{HS}$	I	Horizontal synchronization signal input terminal																	
R	O	Red (R) output terminal of RGB image output																	
G	O	Green (G) output terminal of RGB image output																	
B	O	Blue (B) output terminal of RGB image output																	
BL	O	Fast blanking control signal Switch TV image signal and caption/OSD image signal																	
Port 0 P00 to P07	I/O	<ul style="list-style-type: none"> <li>•8-bit input/output port, Input/output can be specified in nibble unit (If the N-ch open drain output is selected by option, the corresponding port data can be read in output mode.)</li> <li>•Other functions AD converter input port (P04 to P07: 4 channels)</li> </ul>	Pull-up resistor provided/not provided Output Format CMOS/Nch-OD																
Port 1 P10 to P17	I/O	<ul style="list-style-type: none"> <li>•8-bit input/output port Input/output can be specified for each bit (programmable pull-up resistor provided)</li> <li>•Other functions</li> </ul> <table border="1" style="margin-left: 20px;"> <tr><td>P10</td><td>IIC0 data I/O</td></tr> <tr><td>P11</td><td>IIC0 clock output</td></tr> <tr><td>P12</td><td>IIC1 data I/O</td></tr> <tr><td>P13</td><td>IIC1 clock output</td></tr> <tr><td>P14</td><td>PWM1 output</td></tr> <tr><td>P15</td><td>PWM2 output</td></tr> <tr><td>P16</td><td>PWM3 output</td></tr> <tr><td>P17</td><td>Timer 1 (PWM) output</td></tr> </table>	P10	IIC0 data I/O	P11	IIC0 clock output	P12	IIC1 data I/O	P13	IIC1 clock output	P14	PWM1 output	P15	PWM2 output	P16	PWM3 output	P17	Timer 1 (PWM) output	Output Format CMOS/Nch-OD
P10	IIC0 data I/O																		
P11	IIC0 clock output																		
P12	IIC1 data I/O																		
P13	IIC1 clock output																		
P14	PWM1 output																		
P15	PWM2 output																		
P16	PWM3 output																		
P17	Timer 1 (PWM) output																		
Port 3 P30 to P33	I/O	<ul style="list-style-type: none"> <li>•4-bit input/output port Input/output can be specified for each bit (CMOS output/input with programmable pull-up resistor)</li> </ul>																	

**LC863532A/28A/24A/20A/16A**

Terminal	I/O	Function Description	Option																																													
Port 7 P70 P71 to P73	I/O	<ul style="list-style-type: none"> <li>•4-bit input/output port Input or output can be specified for each bit  <table border="1" style="margin-left: 20px;"> <tr> <td style="padding: 2px;">P70: I/O with programmable pull-up resistor</td> </tr> <tr> <td style="padding: 2px;">P71 to P73: CMOS output/input with programmable pull-up resistor</td> </tr> </table> </li> <li>•Other function <table border="1" style="margin-left: 20px;"> <tr> <td style="padding: 2px;">P70</td> <td style="padding: 2px;">INT0 input/HOLD release input/ Nch-Tr. output for watchdog timer</td> </tr> <tr> <td style="padding: 2px;">P71</td> <td style="padding: 2px;">INT1 input/HOLD release input</td> </tr> <tr> <td style="padding: 2px;">P72</td> <td style="padding: 2px;">INT2 input/Timer 0 event input</td> </tr> <tr> <td style="padding: 2px;">P73</td> <td style="padding: 2px;">INT3 input (noise rejection filter connected)/ Timer 0 event input</td> </tr> </table> </li> </ul> <p>Interrupt receiver format, vector addresses</p> <table border="1" style="margin-left: 20px; width: 100%;"> <thead> <tr> <th></th> <th>rising</th> <th>falling</th> <th>rising/ falling</th> <th>H level</th> <th>L level</th> <th>vector</th> </tr> </thead> <tbody> <tr> <td>INT0</td> <td>enable</td> <td>enable</td> <td>disable</td> <td>enable</td> <td>enable</td> <td>03H</td> </tr> <tr> <td>INT1</td> <td>enable</td> <td>enable</td> <td>disable</td> <td>enable</td> <td>enable</td> <td>0BH</td> </tr> <tr> <td>INT2</td> <td>enable</td> <td>enable</td> <td>enable</td> <td>disable</td> <td>disable</td> <td>13H</td> </tr> <tr> <td>INT3</td> <td>enable</td> <td>enable</td> <td>enable</td> <td>disable</td> <td>disable</td> <td>1BH</td> </tr> </tbody> </table>	P70: I/O with programmable pull-up resistor	P71 to P73: CMOS output/input with programmable pull-up resistor	P70	INT0 input/HOLD release input/ Nch-Tr. output for watchdog timer	P71	INT1 input/HOLD release input	P72	INT2 input/Timer 0 event input	P73	INT3 input (noise rejection filter connected)/ Timer 0 event input		rising	falling	rising/ falling	H level	L level	vector	INT0	enable	enable	disable	enable	enable	03H	INT1	enable	enable	disable	enable	enable	0BH	INT2	enable	enable	enable	disable	disable	13H	INT3	enable	enable	enable	disable	disable	1BH	
P70: I/O with programmable pull-up resistor																																																
P71 to P73: CMOS output/input with programmable pull-up resistor																																																
P70	INT0 input/HOLD release input/ Nch-Tr. output for watchdog timer																																															
P71	INT1 input/HOLD release input																																															
P72	INT2 input/Timer 0 event input																																															
P73	INT3 input (noise rejection filter connected)/ Timer 0 event input																																															
	rising	falling	rising/ falling	H level	L level	vector																																										
INT0	enable	enable	disable	enable	enable	03H																																										
INT1	enable	enable	disable	enable	enable	0BH																																										
INT2	enable	enable	enable	disable	disable	13H																																										
INT3	enable	enable	enable	disable	disable	1BH																																										

Note: A capacitor of at least 10µF must be inserted between VDD and VSS when using this IC.

- Output form and existance of pull-up resistor for all ports can be specified for each bit.
- Programmable pull-up resistor is always connected regardless of port option, CMOS or N-ch open drain output in port 1.
- Port status in reset

Terminal	I/O	Pull-up resistor status at selecting CMOS output option
Port 0	I	Pull-up resistor OFF, ON after reset release
Port 1	I	Programmable pull-up resistor OFF



**LC863532A/28A/24A/20A/16A**

1. Absolute Maximum Ratings at VSS=0V and Ta=25°C

Parameter	Symbol	Pins	Conditions	Ratings			unit	
				VDD[V]	min.	typ.		max.
Supply voltage	VDDMAX	VDD			-0.3		+7.0	V
Input voltage	VI(1)	• RES, $\overline{HS}$ , $\overline{VS}$ , CVIN			-0.3		VDD+0.3	
Output voltage	VO(1)	R, G, B, BL, FILT			-0.3		VDD+0.3	
Input/output voltage	VIO	•Ports 0, 1, 3, 7			-0.3		VDD+0.3	
High level output current	Peak output current	IOPH(1)	•Ports 0, 1, 3, 7	•CMOS output •For each pin.	-4			mA
		IOPH(2)	R, G, B, BL	•CMOS output •For each pin.	-5			
	Total output current	$\Sigma$ IOAH(1)	Ports 0, 1	The total of all pins.	-20			
		$\Sigma$ IOAH(2)	Ports 3, 7	The total of all pins.	-10			
		$\Sigma$ IOAH(3)	R, G, B, BL	The total of all pins.	-12			
Low level output current	Peak output current	IOPL(1)	Ports 0, 1, 3	For each pin.			20	
		IOPL(2)	Port 7	For each pin.			15	
		IOPL(3)	R, G, B, BL	For each pin.			5	
	Total output current	$\Sigma$ IOAL(1)	Ports 0, 1	The total of all pins.			40	
		$\Sigma$ IOAL(2)	Ports 3, 7	The total of all pins.			20	
		$\Sigma$ IOAL(3)	R, G, B, BL	The total of all pins.			12	
Maximum power dissipation	Pdmax	MFP36S	Ta=-10 to +70°C				340	mW
		DIP36S					500	
Operating temperature range	Topg				-10		+70	°C
Storage temperature range	Tstg				-55		+125	

**LC863532A/28A/24A/20A/16A**

**2. Recommended Operating Range at Ta=-10°C to +70°C, VSS=0V**

Parameter	Symbol	Pins	Conditions	Ratings			unit	
				VDD[V]	min.	typ.		max.
Operating supply voltage range	VDD(1)	VDD	$0.844\mu s \leq t_{CYC} \leq 0.852\mu s$		4.5		5.5	V
	VDD(2)		$4\mu s \leq t_{CYC} \leq 400\mu s$		4.5		5.5	
Hold voltage	VHD	VDD	RAMs and the registers data are kept in HOLD mode.		2.0		5.5	
High level input voltage	VIH(1)	Port 0	Output disable	4.5 to 5.5	0.6VDD		VDD	
	VIH(2)	•Ports 1,3 (Schmitt) •Port 7 (Schmitt) port input/interrupt • $\overline{HS}$ , $\overline{VS}$ , $\overline{RES}$ (Schmitt)	Output disable	4.5 to 5.5	0.75VDD		VDD	
	VIH(3)	Port 70 Watchdog timer input	Output disable	4.5 to 5.5	VDD-0.5		VDD	
Low level input voltage	VIL(1)	Port 0	Output disable	4.5 to 5.5	VSS		0.2VDD	
	VIL(2)	•Ports 1,3 (Schmitt) •Port 7 (Schmitt) port input/interrupt • $\overline{HS}$ , $\overline{VS}$ , $\overline{RES}$ (Schmitt)	Output disable	4.5 to 5.5	VSS		0.25VDD	
	VIL(3)	Port 70 Watchdog timer input	Output disable	4.5 to 5.5	VSS		0.6VDD	
Operation cycle time	tCYC(1)		•All functions operating	4.5 to 5.5	0.844	0.848	0.852	$\mu s$
	tCYC(2)		•AD converter operating •OSD is not operating	4.5 to 5.5	0.844		30	
	tCYC(3)		•OSD, AD converter is not operating	4.5 to 5.5	0.844		400	
Oscillation frequency range	FmRC		Internal RC oscillation	4.5 to 5.5	0.4	0.8	3.0	MHz

**LC863532A/28A/24A/20A/16A**

3. Electrical Characteristics at Ta=-10°C to +70°C, VSS=0V

Parameter	Symbol	Pins	Conditions	Ratings			unit	
				VDD[V]	min.	typ.		max.
High level input current	IIH(1)	Ports 0, 1, 3, 7	<ul style="list-style-type: none"> <li>•Output disable</li> <li>•Pull-up MOS Tr. OFF</li> <li>•VIN=VDD (including the off-leak current of the output Tr.)</li> </ul>	4.5 to 5.5			1	μA
	IIH(2)	<ul style="list-style-type: none"> <li>•<math>\overline{\text{RES}}</math></li> <li>•<math>\overline{\text{HS}}</math>, <math>\overline{\text{VS}}</math></li> </ul>	•VIN=VDD	4.5 to 5.5			1	
Low level input current	IIL(1)	Ports 0, 1, 3, 7	<ul style="list-style-type: none"> <li>•Output disable</li> <li>•Pull-up MOS Tr. OFF</li> <li>•VIN=VSS (including the off-leak current of the output Tr.)</li> </ul>	4.5 to 5.5	-1			
	IIL(2)	<ul style="list-style-type: none"> <li>•<math>\overline{\text{RES}}</math></li> <li>•<math>\overline{\text{HS}}</math>, <math>\overline{\text{VS}}</math></li> </ul>	VIN=VSS	4.5 to 5.5	-1			
High level output voltage	VOH(1)	•CMOS output of ports 0,1,3,71-73	IOH=-1.0mA	4.5 to 5.5	VDD-1			V
	VOH(2)	R, G, B, BL	IOH=-0.1mA R.G.B: digital mode	4.5 to 5.5	VDD-0.5			
Low level output voltage	VOL(1)	Ports 0,1,3,71-73	IOL=10mA	4.5 to 5.5			1.5	
	VOL(2)	Ports 0,3,71-73	IOL=1.6mA	4.5 to 5.5			0.4	
	VOL(3)	<ul style="list-style-type: none"> <li>•R, G, B, BL</li> <li>•Port 1</li> </ul>	IOL=3.0mA R.G.B: digital mode	4.5 to 5.5			0.4	
	VOL(4)	Port 70	IOL=1mA	4.5 to 5.5			0.4	
Pull-up MOS Tr. resistance	Rpu	•Ports 0, 1, 3, 7	VOH=0.9VDD	4.5 to 5.5	13	38	80	kΩ
Bus terminal short circuit resistance (SCL0-SCL1, SDA0-SDA1)	RBS	<ul style="list-style-type: none"> <li>•P10-P12</li> <li>•P11-P13</li> </ul>		4.5 to 5.5			130	Ω
Hysteresis voltage	VHIS	<ul style="list-style-type: none"> <li>•Ports 1, 3, 7</li> <li>•<math>\overline{\text{RES}}</math></li> <li>•<math>\overline{\text{HS}}</math>, <math>\overline{\text{VS}}</math></li> </ul>	Output disable	4.5 to 5.5		0.1VDD		V
Pin capacitance	CP	All pins	<ul style="list-style-type: none"> <li>•f=1MHz</li> <li>•Every other terminals are connected to VSS.</li> <li>•Ta=25°C</li> </ul>	4.5 to 5.5		10		pF

**LC863532A/28A/24A/20A/16A**

4. IIC Input/Output Conditions at Ta=-10°C to +70°C, VSS=0V

Parameter	Symbol	Standard		High speed		unit
		min.	max.	min.	max.	
SCL Frequency	fSCL	0	100	0	400	kHz
BUS free time between stop - start	tBUF	4.7	-	1.3	-	μs
HOLD time of start, restart condition	tHD;STA	4.0	-	0.6	-	μs
L time of SCL	tLOW	4.7	-	1.3	-	μs
H time of SCL	tHIGH	4.0	-	0.6	-	μs
Set-up time of restart condition	tSU;STA	4.7	-	0.6	-	μs
HOLD time of SDA	tHD;DAT	0	-	0	0.9	μs
Set-up time of SDA	tSU;DAT	250	-	100	-	ns
Rising time of SDA, SCL	tR	-	1000	20+0.1Cb	300	ns
Falling time of SDA, SCL	tF	-	300	20+0.1Cb	300	ns
Set-up time of stop condition	tSU;STO	4.0	-	0.6	-	μs

Refer to figure 7

(Note) Cb : Total capacitance of all BUS (unit : pF)

5. Pulse Input Conditions at Ta=-10°C to +70°C, VSS=0V

Parameter	Symbol	Pins	Conditions	VDD[V]	Ratings			unit
					min.	typ.	max.	
High/low level pulse width	tPIH(1) tPIL(1)	•INT0, INT1 •INT2/T0IN	•Interrupt acceptable •Timer0-countable	4.5 to 5.5	1			tCYC
	tPIH(2) tPIL(2)	INT3/T0IN (1 tCYC is selected for noise rejection clock.)	•Interrupt acceptable •Timer0-countable	4.5 to 5.5	2			
	tPIH(3) tPIL(3)	INT3/T0IN (16 tCYC is selected for noise rejection clock.)	•Interrupt acceptable •Timer0-countable	4.5 to 5.5	32			
	tPIH(4) tPIL(4)	INT3/T0IN (64 tCYC is selected for noise rejection clock.)	•Interrupt acceptable •Timer0-countable	4.5 to 5.5	128			
	tPIL(5)	RES	Reset acceptable	4.5 to 5.5	200			μs
	tPIH(6) tPIL(6)	HS, VS	•Display position controllable (Note) •The active edge of HS and VS must be apart at least 1 tCYC. •Refer to figure 6.	4.5 to 5.5	8			
Rising/falling time	tTHL tTLH	HS	Refer to figure 6.	4.5 to 5.5			500	ns

**LC863532A/28A/24A/20A/16A**

**6. AD Converter Characteristics at Ta=-10°C to +70°C, VSS=0V**

Parameter	Symbol	Pins	Conditions	Ratings			unit	
				VDD[V]	min.	typ.		max.
Resolution	N			4.5 to 5.5		6		bit
Absolute precision	ET		(Note)				±1	LSB
Conversion time	tCAD	Vref selection to conversion finish	1 bit conversion time = 2 × Tcyc			1.69		μs
Analog input voltage range	VAIN	AN4 - AN7			VSS		VDD	V
Analog port input current	I <sub>AINH</sub> I <sub>AINL</sub>		VAIN=VDD VAIN=VSS				1	
					-1			

(Note) Absolute precision does not include quantizing error (1/2LSB).

**7. Analog Mode RGB Characteristics at Ta=-10°C to +70°C, VSS=0V**

Parameter	Symbol	Pins	Conditions	Ratings			unit	
				VDD[V]	min.	typ.		max.
Analog output voltage		R.G.B Analog output mode	Low level output	5.0	0.45	0.5	0.55	V
			Intensity output		0.90	1.0	1.10	
			Hi level output		1.35	1.5	1.65	
Time setting		R.G.B	70% 10pf load				50	ns

**LC863532A/28A/24A/20A/16A**

**8. Sample Current Dissipation Characteristics at Ta=-10°C to +70°C, VSS=0V**

The sample current dissipation characteristics is the measurement result of Sanyo provided evaluation board when the recommended circuit parameters shown in the sample oscillation circuit characteristics are used externally. The currents through the output transistors and the pull-up MOS transistors are ignored.

Parameter	Symbol	Pins	Conditions	Ratings			unit		
				VDD[V]	min.	typ.		max.	
Current dissipation during basic operation (Note 3)	IDDOP(1)	VDD	<ul style="list-style-type: none"> <li>•FmX'tal=32.768kHz X'tal oscillation</li> <li>•System clock : VCO</li> <li>•VCO for OSD operating</li> <li>•OSD is Digital mode</li> <li>•Internal RC oscillation stops</li> </ul>	4.5 to 5.5		14	25	mA	
	IDDOP(2)	VDD	<ul style="list-style-type: none"> <li>•FmX'tal=32.768kHz X'tal oscillation</li> <li>•System clock : VCO</li> <li>•VCO for OSD operating</li> <li>•OSD is Analog mode</li> <li>•Internal RC oscillation stops</li> </ul>	4.5 to 5.5		23	37		
	IDDOP(3)	VDD	<ul style="list-style-type: none"> <li>•FmX'tal=32.768kHz X'tal oscillation</li> <li>•System clock : X'tal</li> <li>•VCO for system VCO for OSD, internal RC oscillation stop</li> <li>•Data slicer, AD converters stop</li> </ul>	4.5 to 5.5		100	300		μA
Current dissipation in HALT mode (Note 3)	IDDHALT(1)	VDD	<ul style="list-style-type: none"> <li>•HALT mode</li> <li>•FmX'tal=32.768kHz X'tal oscillation</li> <li>•System clock : VCO</li> <li>•VCO for OSD stops</li> <li>•Internal RC oscillation stops</li> </ul>	4.5 to 5.5		5	10	mA	
	IDDHALT(2)	VDD	<ul style="list-style-type: none"> <li>•HALT mode</li> <li>•FmX'tal=32.768kHz X'tal oscillation</li> <li>•VCO for system stops</li> <li>•VCO for OSD stops</li> <li>•System clock : Internal RC</li> </ul>	4.5 to 5.5		360	1000		μA
	IDDHALT(3)	VDD	<ul style="list-style-type: none"> <li>•HALT mode</li> <li>•FmX'tal=32.768kHz X'tal oscillation</li> <li>•VCO for system stops</li> <li>•VCO for OSD stops</li> <li>•System clock : X'tal</li> </ul>	4.5 to 5.5		40	200		μA
Current dissipation in HOLD mode (Note 3)	IDDHOLD	VDD	<ul style="list-style-type: none"> <li>•HOLD mode</li> <li>•All oscillation stops.</li> </ul>	4.5 to 5.5		0.05	20	μA	

(Note 3) The currents through the output transistors and the pull-up MOS transistors are ignored.

## LC863532A/28A/24A/20A/16A

### Recommended Oscillation Circuit and Sample Characteristics

The sample oscillation circuit characteristics in the table below is based on the following conditions:

- Recommended circuit parameters are verified by an oscillator manufacturer using a Sanyo provided oscillation evaluation board.
- Sample characteristics are the result of the evaluation with the recommended circuit parameters connected externally.

Recommended oscillation circuit and sample characteristics (Ta = -10 to +70°C)

Frequency	Manufacturer	Oscillator	Recommended circuit parameters				Operating supply voltage range	Oscillation stabilizing time		Notes
			C1	C2	Rf	Rd		typ.	max	
32.768kHz	Seiko Epson	C-002RX	18pF	18pF	open	390kΩ	4.5 to 5.5V	1.00S	1.50S	

Notes The oscillation stabilizing time period is the time until the VCO oscillation for the internal system becomes stable after the following conditions. (Refer to Figure 2.)

1. The VDD becomes higher than the minimum operating voltage after the power is supplied.
2. The HOLD mode is released.

The sample oscillation circuit characteristics may differ applications. For further assistance, please contact with oscillator manufacturer with the following notes in your mind.

- Since the oscillation frequency precision is affected by wiring capacity of the application board, etc., adjust the oscillation frequency on the production board.
- The above oscillation frequency and the operating supply voltage range are based on the operating temperature of -10°C to +70°C. For the use with the temperature outside of the range herein, or in the applications requiring high reliability such as car products, please consult with oscillator manufacturer.
- When using the oscillator which is not shown in the sample oscillation circuit characteristics, please consult with Sanyo sales personnel.

Since the oscillation circuit characteristics are affected by the noise or wiring capacity because the circuit is designed with low gain in order to reduce the power dissipation, refer to the following notices.

- The distance between the clock I/O terminal (XT1 terminal XT2 terminal) and external parts should be as short as possible.
- The capacitors' VSS should be allocated close to the microcontroller's GND terminal and be away from other GND.
- The signal lines with rapid state changes or with large current should be allocated away from the oscillation circuit.

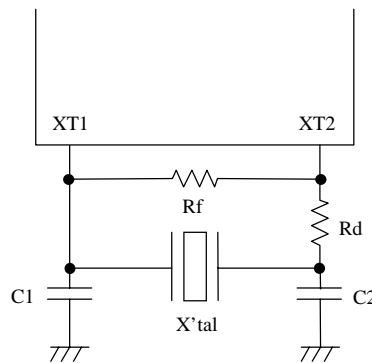


Figure 1 Recommended oscillation circuit.

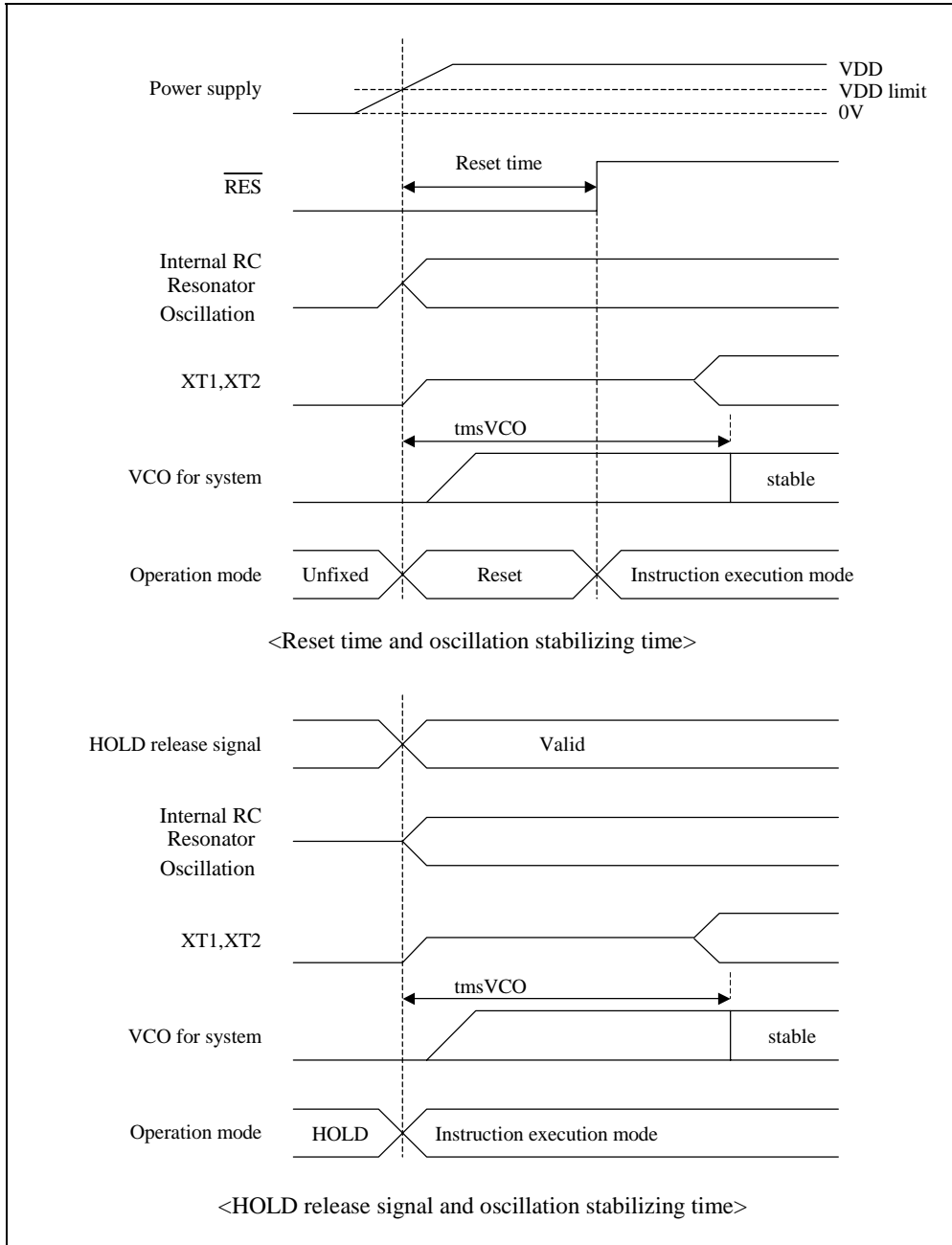


Figure 2 Oscillation stabilizing time



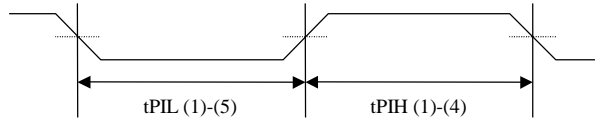


Figure 3 Pulse input timing condition - 1

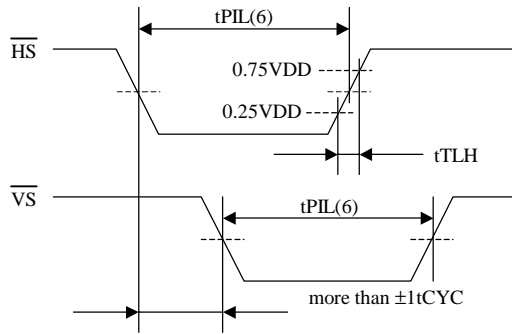


Figure 4 Pulse input timing condition - 2

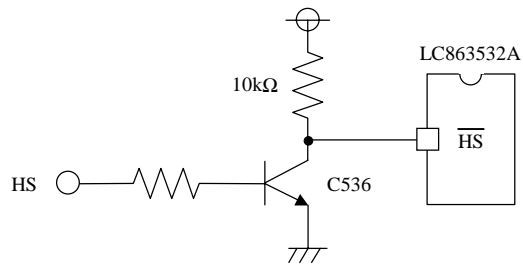


Figure 5 Recommended Interface circuit

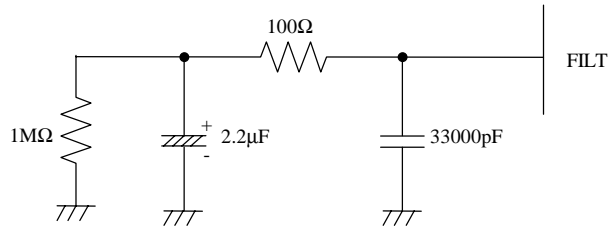
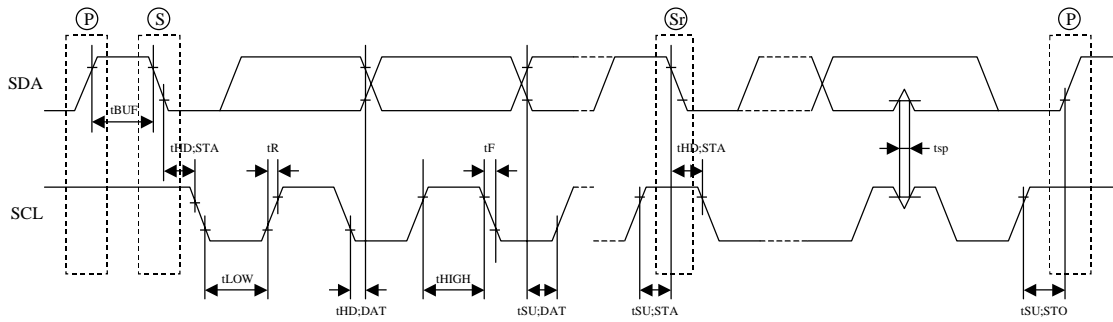


Figure 6 FILT recommended circuit

(Note) Place FILT parts on board as close to the microcontroller as possible.



S : start condition  
 P : stop condition  
 Sr : restart condition

tsp : Spike suppression

Standard mode : not exist  
 High speed mode : less than 50ns

Figure 7 IIC timing

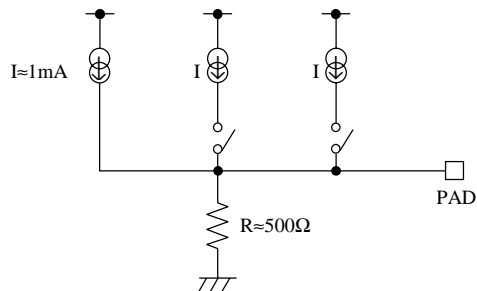


Figure 8 R.G.B. analog output equivalent circuit

memo :

- Specifications of any and all SANYO products described or contained herein stipulate the performance, characteristics, and functions of the described products in the independent state, and are not guarantees of the performance, characteristics, and functions of the described products as mounted in the customer's products or equipment. To verify symptoms and states that cannot be evaluated in an independent device, the customer should always evaluate and test devices mounted in the customer's products or equipment.
- SANYO Electric Co., Ltd. strives to supply high-quality high-reliability products. However, any and all semiconductor products fail with some probability. It is possible that these probabilistic failures could give rise to accidents or events that could endanger human lives, that could give rise to smoke or fire, or that could cause damage to other property. When designing equipment, adopt safety measures so that these kinds of accidents or events cannot occur. Such measures include but are not limited to protective circuits and error prevention circuits for safe design, redundant design, and structural design.
- In the event that any or all SANYO products (including technical data, services) described or contained herein are controlled under any of applicable local export control laws and regulations, such products must not be exported without obtaining the export license from the authorities concerned in accordance with the above law.
- No part of this publication may be reproduced or transmitted in any form or by any means, electronic or mechanical, including photocopying and recording, or any information storage or retrieval system, or otherwise, without the prior written permission of SANYO Electric Co., Ltd.
- Any and all information described or contained herein are subject to change without notice due to product/technology improvement, etc. When designing equipment, refer to the "Delivery Specification" for the SANYO product that you intend to use.
- Information (including circuit diagrams and circuit parameters) herein is for example only ; it is not guaranteed for volume production. SANYO believes information herein is accurate and reliable, but no guarantees are made or implied regarding its use or any infringements of intellectual property rights or other rights of third parties.

This catalog provides information as of December, 2000. Specifications and information herein are subject to change without notice.