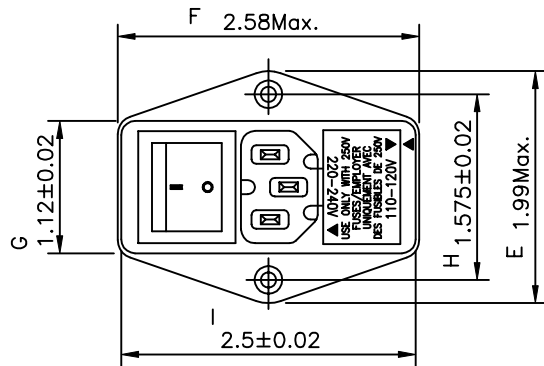
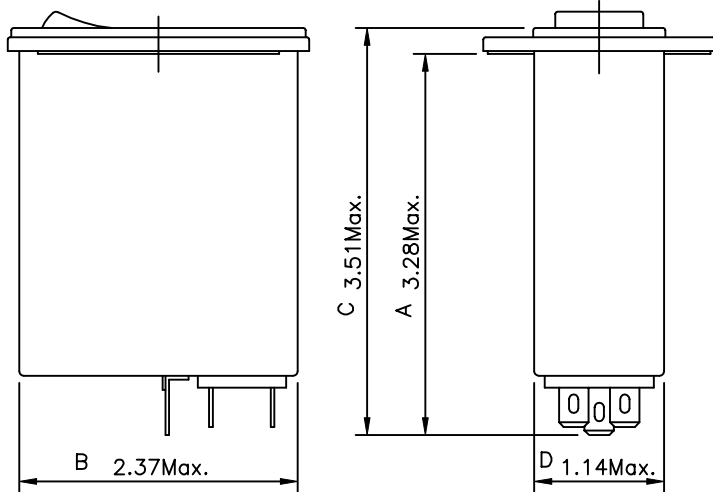
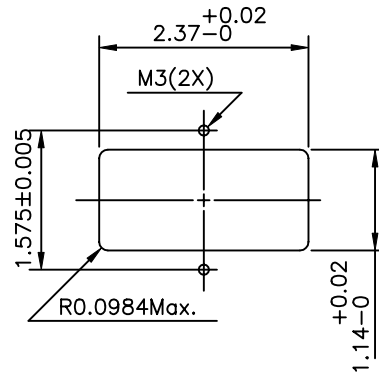


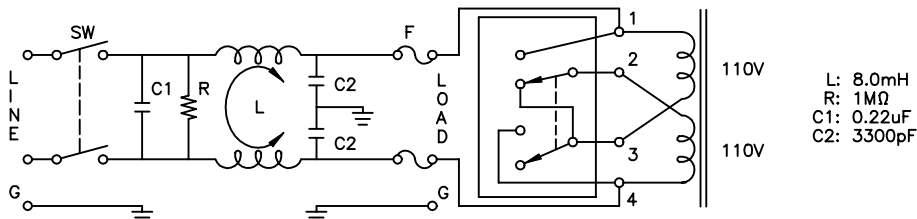
PHYSICAL DIMENSIONS:



SUGGESTED MOUNTING CUTOUT



SCHEMATIC:



L: 8.0mH  
R: 1MΩ  
C1: 0.22μF  
C2: 3300pF

Revision			
Rev.	Description	Date	Approved

1. ELECTRICAL CHARACTERISTICS:

- 1-1. VOLTAGE RATING ..... 115/250VAC
- 1-2. CURRENT RATING
  - A. AT 115VAC ..... 3 A RMS Max.
  - B. AT 250VAC ..... 3 A RMS Max.
- 1-3. OPERATING FREQUENCY..... 50/60 Hz
- 1-4. LEAKAGE CURRENT: EACH LINE TO GROUND
  - A. @115VAC 60Hz ..... 0.25 mA Max.
  - B. @250VAC 50Hz ..... 0.45 mA Max.
- 1-5. HIPOT RATING (FOR ONE MINUTE)
  - A. LINE TO GROUND ..... 2250VDC
  - B. LINE TO LINE ..... 1450VDC
- 1-6. TEMPERATURE RANGE: -25 TO +85 DEGREE C
- 1-7. MINIMUM INSERTION LOSS IN dB: (AT 50 OHM SYSTEM)

FREQ. MHz	.01	.05	.10	.15	.50	1.0	5.0	10	30
COM. MODE dB	/	20	25	30	38	38	38	38	25
DIF. MODE dB	/	2	9	12	30	40	30	40	30

1-8. SAFETY



Dim range (mm)	Tolerance +/- (mm)	Qualtek Electronics Corp. PPC DIVISION		
		Part Number: 864-03/001		
0-1	0.15	Description: EMI FILTER MULTI-FUNCTION		
1-6	0.20			
6-18	0.30	UNIT: INCH		Approved/Date
18-50	0.50			
50-120	0.70	Drawn/Date	Checked/Date	Approved/Date
120-250	0.90	B.ZHANG	01-14-03	
250-500	1.20	01-14-03		