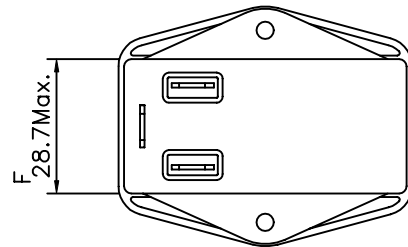
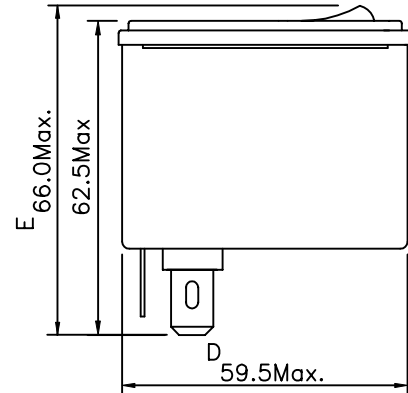
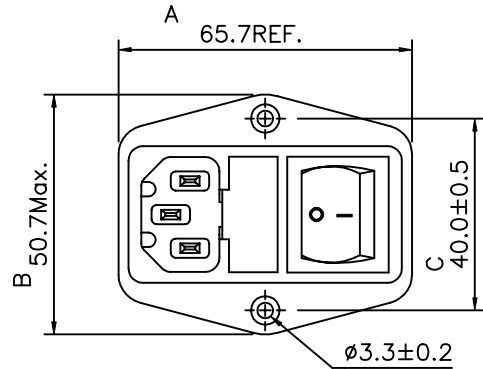
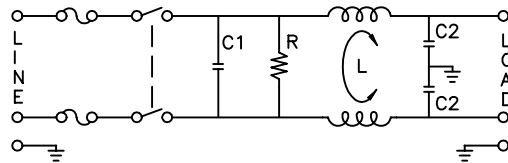


PHYSICAL DIMENSIONS:

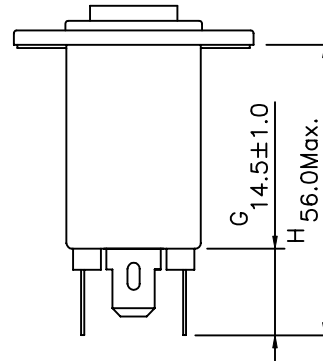
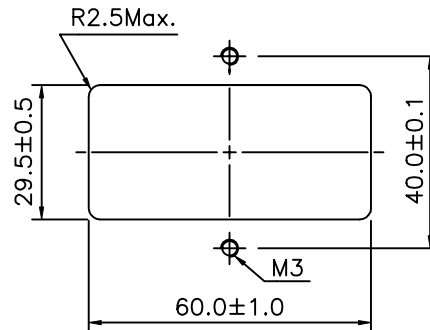


SCHEMATIC:



L: 7.5mH
 C1: 0.22uF
 C2: 2200pF
 R: 1.0M

SUGGEST MOUNTING CUTOUT



Revision

Rev.	Description	Date	Approved

1. ELECTRICAL CHARACTERISTICS:

1-1. VOLTAGE RATING 115/250VAC

1-2. CURRENT RATING

A. AT 115VAC 1 A RMS Max.
 B. AT 250VAC 1 A RMS Max.

1-3. OPERATING FREQUENCY..... 50/60 Hz

1-4. LEAKAGE CURRENT: EACH LINE TO GROUND

A. @115VAC 60Hz 0.20 mA Max.
 B. @250VAC 50Hz 0.40 mA Max.

1-5. HIPOT RATING (FOR ONE MINUTE)

A. LINE TO GROUND 2250VDC
 B. LINE TO LINE 1450VDC

1-6. TEMPERATURE RANGE: -25 TO +85 DEGREE C

1-7. MINIMUM INSERTION LOSS IN dB: (AT 50 OHM SYSTEM)

FREQ. MHz	.01	.05	.10	.15	.50	1.0	5.0	10	30
COM. MODE dB	10	20	25	28	40	40	35	35	35
DIF. MODE dB	/	2	8	10	20	28	35	38	35

1-8. SAFETY



Dim range (mm)	Tolerance +/- (mm)	Qualtek Electronics Corp. PPC DIVISION		
		Part Number: 880-01/001		
0-1	0.15	Description:		UNIT: mm
1-6	0.20	EMI FILTER		
6-18	0.30	Drawn/Date		Approved/Date
18-50	0.50			
50-120	0.70	B.ZHANG	01-16-03	JJH/01-16-03
120-250	0.90	01-16-03		
250-500	1.20			