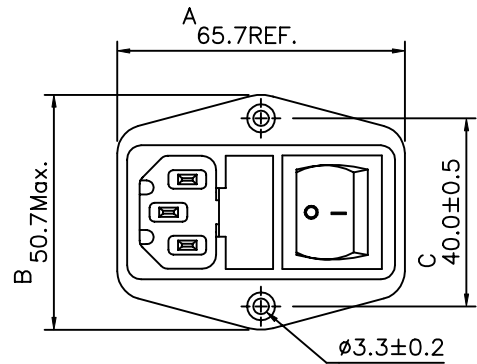
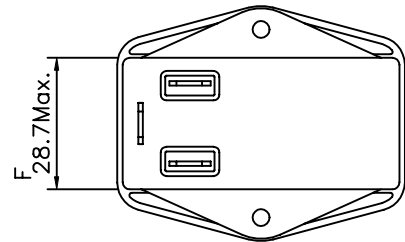
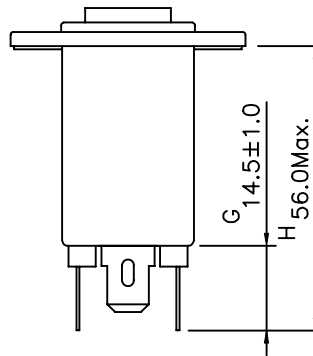
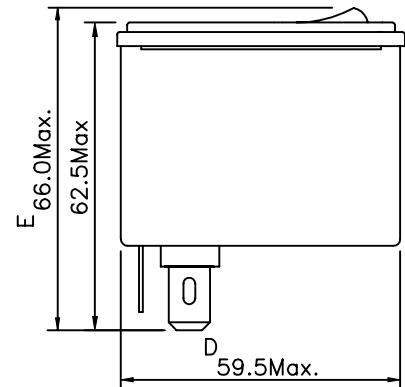
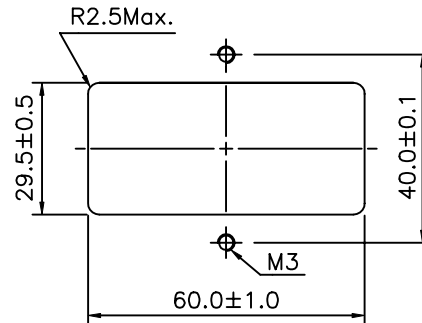


Revision			
Rev.	Description	Date	Approved

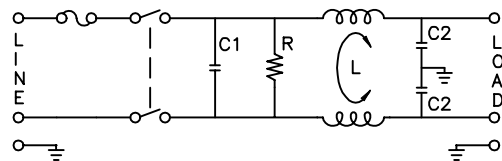
PHYSICAL DIMENSIONS:



SUGGEST MOUNTING CUTOUT



SCHEMATIC:



L: 7.5mH
 C1: 0.22uF
 C2: 2200pF
 R: 1.0M

1. ELECTRICAL CHARACTERISTICS:

- 1-1. VOLTAGE RATING 115/250VAC
- 1-2. CURRENT RATING
 - A. AT 115VAC 1 A RMS Max.
 - B. AT 250VAC 1 A RMS Max.
- 1-3. OPERATING FREQUENCY..... 50/60 Hz
- 1-4. LEAKAGE CURRENT: EACH LINE TO GROUND
 - A. @115VAC 60Hz 0.20 mA Max.
 - B. @250VAC 50Hz 0.40 mA Max.
- 1-5. HIPOT RATING (FOR ONE MINUTE)
 - A. LINE TO GROUND 2250VDC
 - B. LINE TO LINE 1450VDC
- 1-6. TEMPERATURE RANGE: -25 TO +85 DEGREE C
- 1-7. MINIMUM INSERTION LOSS IN dB: (AT 50 OHM SYSTEM)

FREQ. MHz	.01	.05	.10	.15	.50	1.0	5.0	10	30
COM. MODE dB	10	20	25	28	40	40	35	35	35
DIF. MODE dB	/	2	8	10	20	28	35	38	35

1-8. SAFETY



1-9. USE 5X20mm FUSE

Dim range (mm)	Tolerance +/- (mm)	Qualtek Electronics Corp. PPC DIVISION		
		Part Number: 880-01/004		
0-1	0.15	Description: EMI FILTER MULTI-FUNCTION		
1-6	0.20	UNIT: mm Rev A		
6-18	0.30	Approved/Date		
18-50	0.50	Approved/Date		
50-120	0.70	Approved/Date		
120-250	0.90	Approved/Date		
250-500	1.20	B.ZHANG 03-18-04	PC/03-18-04	JJH/03-18-04