

8514019 SPRAGUE, SEMICONDS/ICS

93D 03602 D

T-29-25

PLASTIC-CASE JUNCTION FIELD-EFFECT TRANSISTORS

N-Channel JFETs

ELECTRICAL CHARACTERISTICS at TA = 25°C

Table with columns: Device Type, V(Drain)SS, I(Static)SS, Limits, Conditions, I(Static)SS, gfs, Ciss1, Ciss1, rds Max., Process. Rows include TP5951, TP6449, TP6450, TP6451, TP6452, TP6453, TP6454, BF244A, BF244B, BF244C, BF246A, BF246B, BF246C, BF256A, BF256B, BF256C, BFR30, BFR31, J111, J111A, J112, J112A, J113, J113A, J201, J202, J203, J210, J211, J212, J230, J231, J232, J300A, J300B, J300C, J304, J305, MPF102, MPF103, MPF104, MPF105, MPF106, MPF107, MPF108, MPF109.

- NOTES:
1) VGS = 0 V.
2) IO in mA.
3) VDS = 0 V, VGS in volts.
4) IO = 10 mA.
5) IO = 5.0 mA.
6) IO = 1.0 mA.
7) IO = 500 μA.
8) IO = 200 μA.

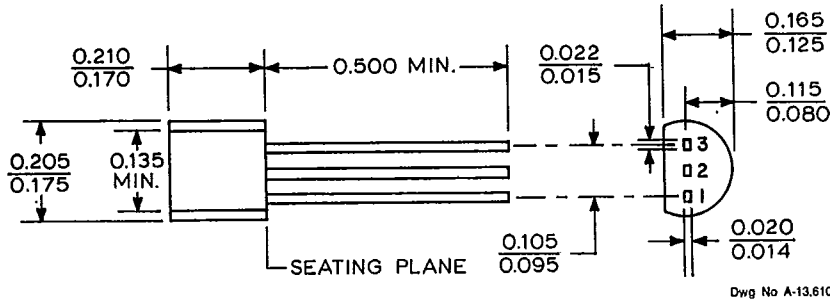


T-91-20

PACKAGE INFORMATION

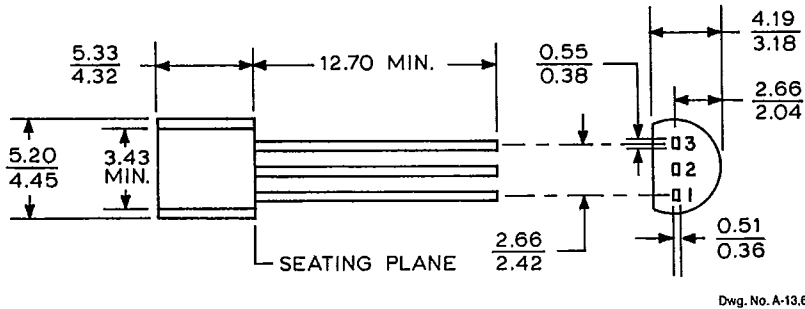
TO-226AA/STYLES CG AND CO

DIMENSIONS IN INCHES

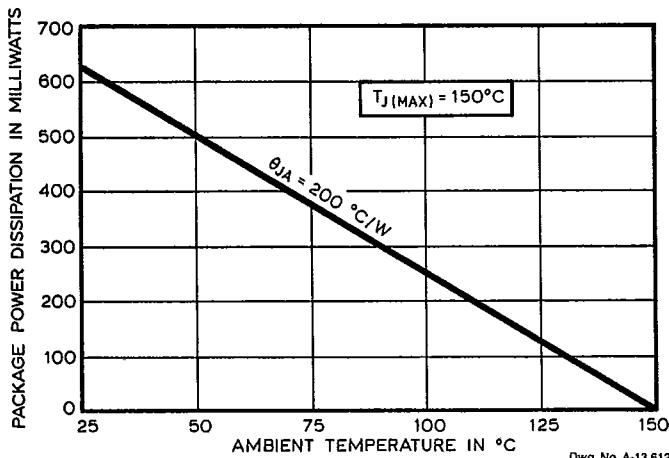


DIMENSIONS IN MILLIMETERS

Based on 1" = 25.4 mm



MAXIMUM ALLOWABLE PACKAGE POWER DISSIPATION AS A FUNCTION OF AMBIENT TEMPERATURE



CG PINOUT

Pin	Terminal
1	Drain
2	Source
3	Gate

CO PINOUT

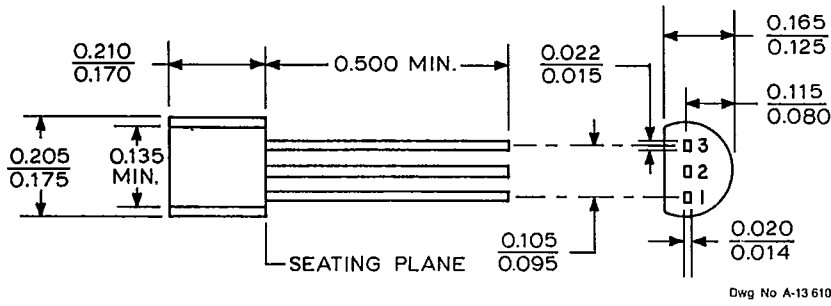
Pin	Terminal
1	Source
2	Drain
3	Gate

T-91-20

PACKAGE INFORMATION

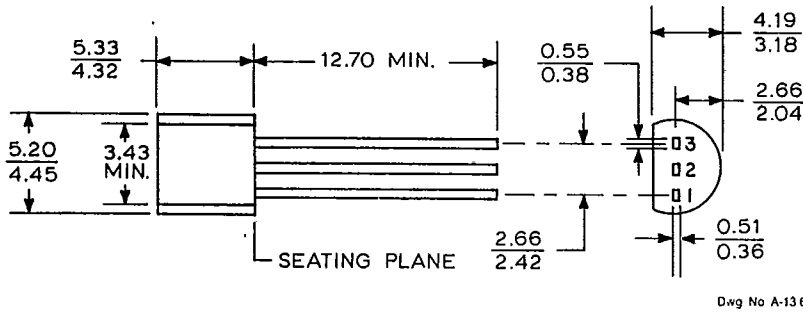
TO-226AA/STYLES CI AND CN

DIMENSIONS IN INCHES

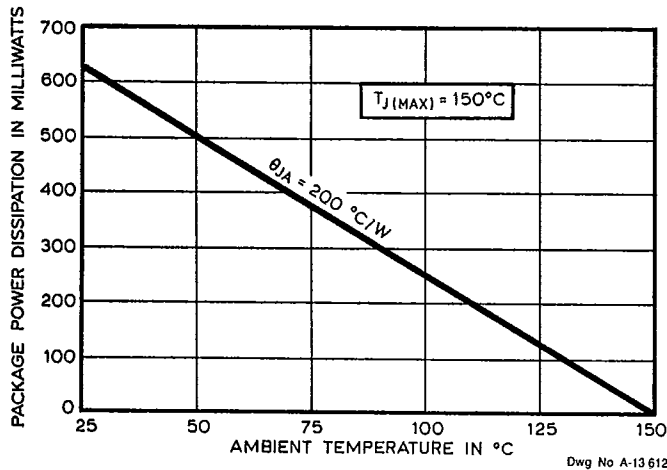


DIMENSIONS IN MILLIMETERS

Based on 1" = 25.4 mm



MAXIMUM ALLOWABLE PACKAGE POWER DISSIPATION AS A FUNCTION OF AMBIENT TEMPERATURE



CI PINOUT

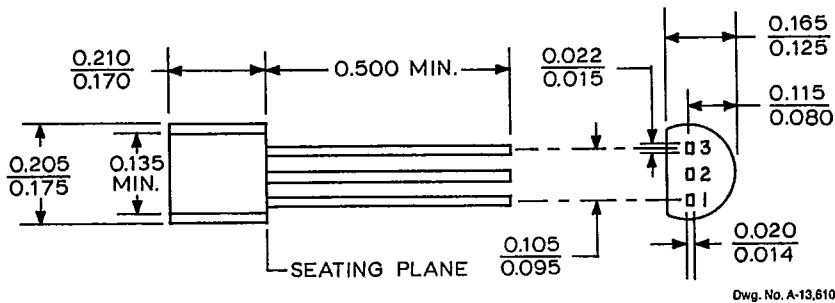
Pin	Terminal
1	Drain
2	Gate
3	Source

CN PINOUT

Pin	Terminal
1	Source
2	Gate
3	Drain

TO-226AA/STYLES CJ AND CY

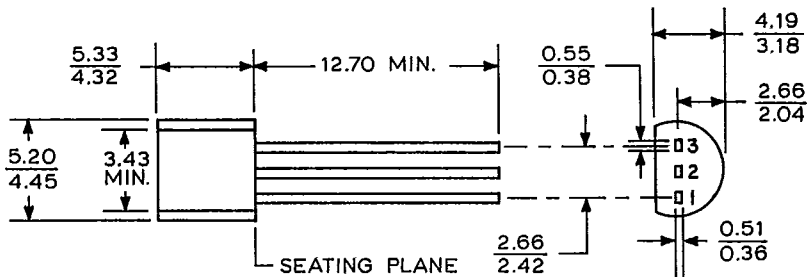
DIMENSIONS IN INCHES



Dwg. No. A-13,610

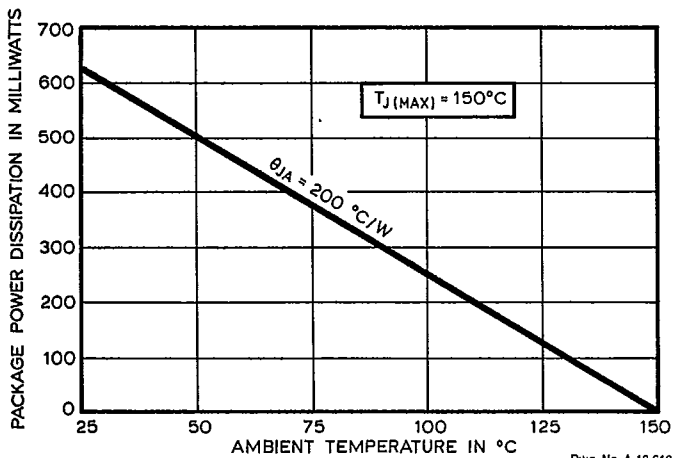
DIMENSIONS IN MILLIMETERS

Based on 1" = 25.4 mm



Dwg. No. A-13,611

MAXIMUM ALLOWABLE PACKAGE POWER DISSIPATION AS A FUNCTION OF AMBIENT TEMPERATURE



Dwg. No. A-13,612



CJ PINOUT

Pin	Terminal
1	Gate
2	Source
3	Drain

CY PINOUT

Pin	Terminal
1	Gate
2	Drain
3	Source