



KS8993F Product Brief

Single-Chip Fast Ethernet Media Converter with TS-1000 OAM

Description

The KS8993F is the industry's first single-chip Fast Ethernet media converter that implements TS-1000 operations, administration, and management (OAM) frames for communicating link integrity and status between the customer office (CO) and the customer premise equipment (CPE). Integrating two 10/100 PHYs, three MACs, a Layer 2 managed switch, and a frame buffer in a compact solution, the KS8993F is ideal for use in 100BASE-FX to 10BASE-T or 100BASE-TX conversion in FTTX applications.

The high-performance switching engine supports both QoS and VLAN as well as a full array of management capabilities.

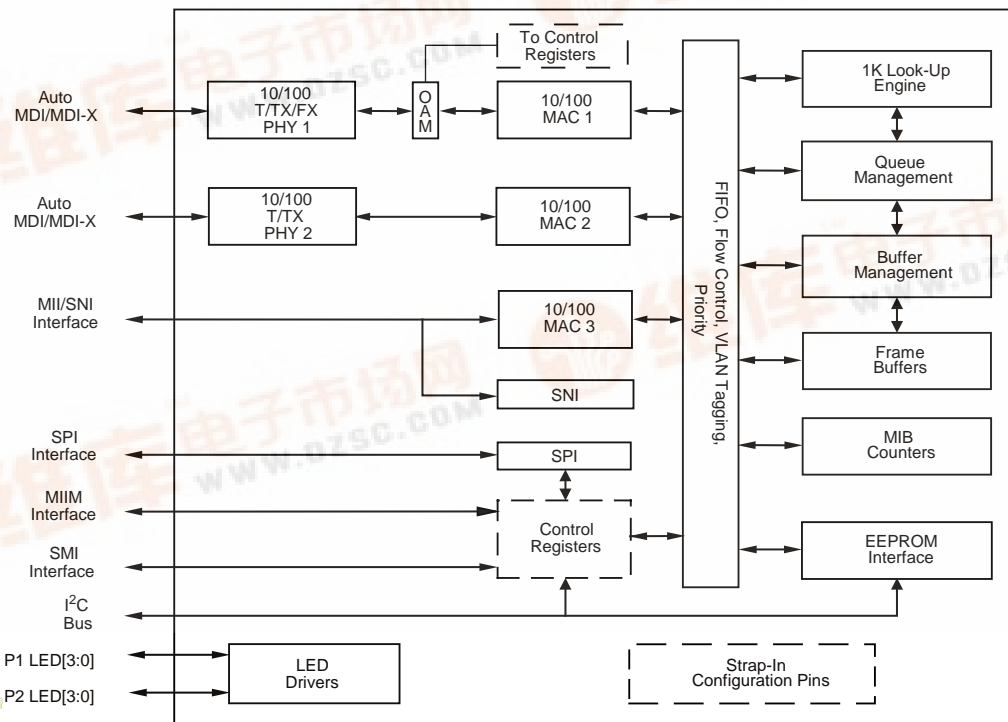
User defined registers (UDRs), another industry first, provide design flexibility and enable low-cost solutions, making the KS8993F an excellent choice for any new media converter design.

Features

- First single-chip 10BASE-T/100BASE-TX to 100BASE-FX media converter with TS-1000 OAM
- Integrated 3-port 10/100 Ethernet switch with three MACs and three PHYs
- UDRs bring OAM to low-cost/complexity nodes
- Full complement of MII/SNI, SPI, MIIM, SMI, and I²C interfaces
- Quality of service (QoS) and class of service (CoS) packet prioritization
- Advanced switching functions, including support for 802.1q VLANs and broadcast storm protection
- Automatic MDI/MDI-X crossover with disable and enable option
- Low power dissipation: <800 mW (includes PHY transmit drivers)

For additional information, contact your local Micrel Field Application Engineer or salesperson.

Block Diagram



OAM Features

- Supports OAM sub-layer which conforms to TS-1000 specification from the Telecommunication Technology Committee
- Sends and receives OAM frames between center and terminal side
- Loopback modes for testing fiber connections
- Far-end fault detection with disable and enable
- Link transparency to indicate link down from link partner

QoS/CoS Packets Prioritization Support

- Per port, 802.1p and DiffServ-based
- Re-mapping of 802.1p priority field per port basis

Advanced Switch Features

- IEEE 802.1q VLAN
- VLAN ID tag/untag options
- IEEE 802.1p/q tag insertion or removal
- Programmable rate limiting from 0Mbps to 100 Mbps
- Broadcast storm protection with percent control
- Double tagging

Switch Management Features

- Port mirroring/monitoring/sniffing
- Thirty-four MIB counters per port
- Loopback modes for remote diagnostic of failure

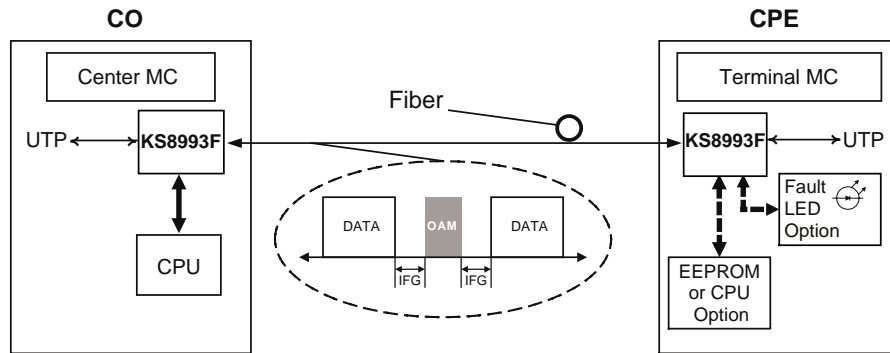
Comprehensive Configuration Register Access

- Serial management interface (SMI), SPI, and I²C to all internal registers
- MII management (MIIM) interface to PHY registers
- I/O pin strapping and EEPROM to program select registers in unmanaged switch mode

Optimized Power Modes, Packaging, and Power Supplies

- Full-chip hardware power-down
- Per port-based software power-save on PHY (idle link detection)
- Comprehensive LED indicator support for link, activity, full/half duplex, and 10/100 speed
- Core: 1.8V
- I/O and transceiver: 3.3V or 2.5V
- Industrial temperature (available from Q2'04)
- Available in 128-pin PQFP

Typical FTTX Application



Note that the KS8993F can be configured via SMI, SPI, or I²C bus.

Contact Micrel Semiconductor

Location	Address	Telephone	Fax
Corporate HQ	1849 Fortune Drive San Jose, CA 95131 USA	+1 (408) 944-0800	+1 (408) 474-1000
Eastern USA	93 Branch Street Medford, NJ 08055 USA	+1 (609) 654-0078	+1 (609) 546-0989
Central USA	722 S. Denton Tap Suite 130 Coppell, TX 75019 USA	+1 (972) 393-2533	+1 (972) 393-2540
Western USA	2180 Fortune Drive San Jose, CA 95131 USA	+1 (408) 944-0800	+1 (408) 914-7878
China	Room 712, Block B, Intl. Chamber of Commerce Bldg., Fuhua Rd 1, Futian ShenZhen, PR China 518026	+86 (755) 8302-7618	+86 (755) 8302-7637
Korea	4F, KTB Building, 826-14, Yeoksam-dong, Kangnam-ku Seoul 135-080 Korea	+82 (2) 3466-3000	+82 (2) 3466-2999
Taiwan	4F, No. 18, Lane 321, Yang-Guang Street, Nei-Hu Chu Taipei, 11475 Taiwan, R.O.C.	+886 (2) 8751-0600	+886 (2) 8751-0746
Singapore	8 Temasek Blvd., #42-01 Suntec Tower Three Singapore 038988	+65-6832-7692	+65-6832-7693
Japan	1-16-15 Dogenzaka, Shibuyaku Tokyo 150-0043 Japan	+81 (3) 5428-0871	+81 (3) 5428-0872
Europe	1st Floor, 3 Lockside Place, Mill Lane Newbury, Berks RG14 5QS UK	+44 1635 524455	+44 1635 524466
Western Europe	10, avenue du Quebec, Villebon BP116 Courtaboeuf Cedex 91944 France	+33 (0) 1-6092-4190	+33 (0) 1-6092-4189