

1.0 FEATURES

- Wide operating voltage (2 - 6V)
- Low standby power consumption
- On-chip RC oscillator, no crystal required
- Four time transmission with polarity checking
- Maximum of 4,194,304 combinations encoding capability
- Minimize external components
- Easy interface with RF, Ultrasonic or Infrared transmission Media
- Bonding option available to maximize encoding capacity possible addressing states. (0, 1, open and 4th state)

特點

- 工作電壓 (2 - 6V)
- 靜態功耗低
- 芯片上置有振盪器, 無需液晶體
- 4次極態校驗發送
- 最多可有 4,194,304 種編碼能力
- 外接零件少
- 容易與 RF, 超音波或紅外線 傳送媒體連接
- 可選擇接駁方式, 4種形態(0, with 4 開啓及 4th), 可增加編碼能力

2.0 ELECTRICAL CHARACTERISTICS 電特性

V_{DD} = 5V, T_A = 25°C (unless otherwise specified 特別註明除外)

PARAMETER	SYMBOL	LIMITS			UNIT
		MIN	TYP	MAX	
Operating Voltage 工作電壓	V _{DD}	2	5	6	V
Standby Current 靜態電流	I _{SB}	-	-	0.6	μA
Operating Current 工作電流	I _{DD}	-	-	400	μA
Output Voltage High 輸出高電壓	V _{OH}	4.0	-	-	mA
Output Voltage Low 輸出低電壓	V _{OL}	-	-	0.19	mA
Frequency 頻率	FREQ	45	-	72	KHz
Source Current 來源電流 (V _{OH} = 4V)	I _{oh}	-2.0	-	-	mA
Sink Current 灌進電流 (V _{OL} = 1V)	I _{ol}	2.0	-	-	mA
Input Current 輸入電流	I _{in} (TE)	-	-	25	μA

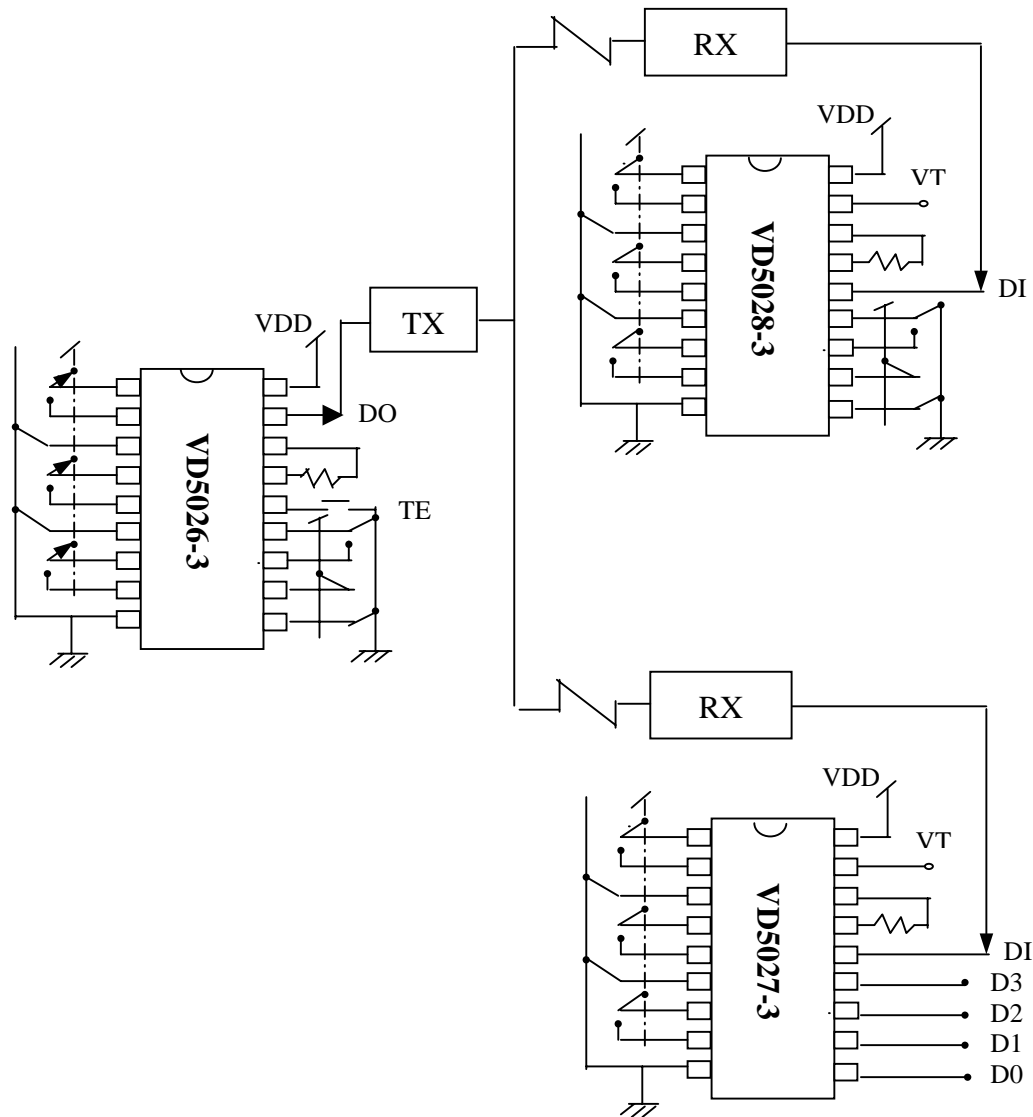
3.0 APPLICATION 應用

- Security systems 保安系統
- Theft alarm systems 防盜警告系統
- Cordless telephone 無線電話
- Smoke and fire alarm systems 煙火警告系統
- TV GAME remote controllers 電視遊戲無線搖控器
- Garage door controller 車房門控制器
- Other remote control systems (TOYS, TV ...) 其他搖控系統



4.0 APPLICATION INFORMATION 應用資料

Three state Operation



The IC substrate should be connected to V_{DD} . 芯片襯底請接 V_{DD} .

