



Volume Controller IC

PT2310

DESCRIPTION

The PT2310 is an electronic volume controller IC designed for audio equipment. Utilize CMOS Technology; it has 2 individual channels attenuator built inside and ideal for both mono and stereo applications. The PT2310 provides wide frequency response range, very low total harmonic distortion and low noise. It also has a built-in loudness compensation function for the sound effect improvement.

FEATURES

- CMOS Technology
- Low Power Consumption
- Two channel independent volume attenuator
- Simplified External Components
- Wide Supply Voltage 4.5V~12V, controlled by MCU interface
- Attenuation Range 0dB~-78dB (2dB/Step)
- Built-in Loudness Compensation Function
- Wide Frequency Response, Low Total Harmonic Distortion and Low Noise
- Available in 16 Pins DIP and 16 Pins SOP

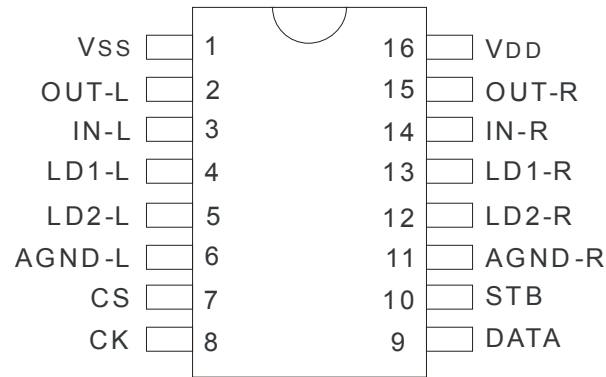
APPLICATIONS

- Audio Equipments
- TV
- Multi-media Sound Device





PIN CONFIGURATION

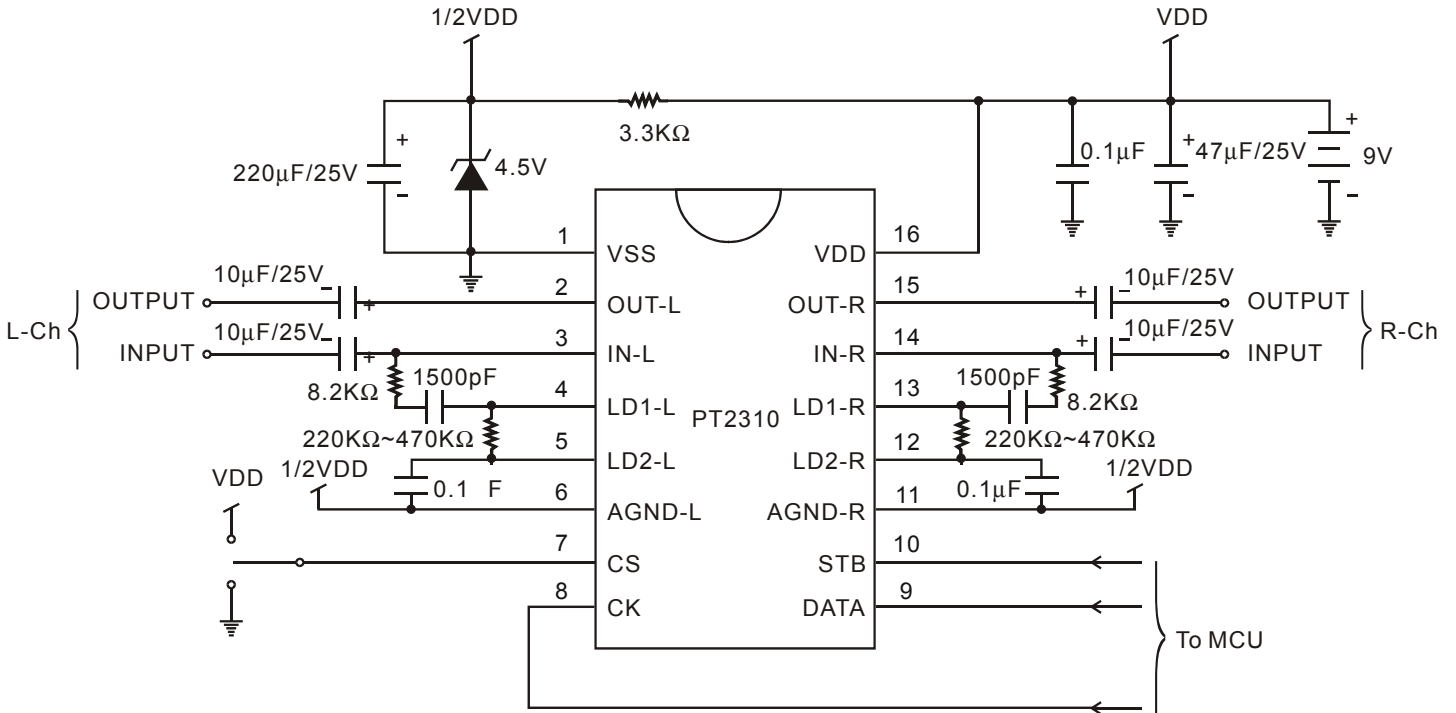


PT2310





APPLICATION CIRCUIT 1

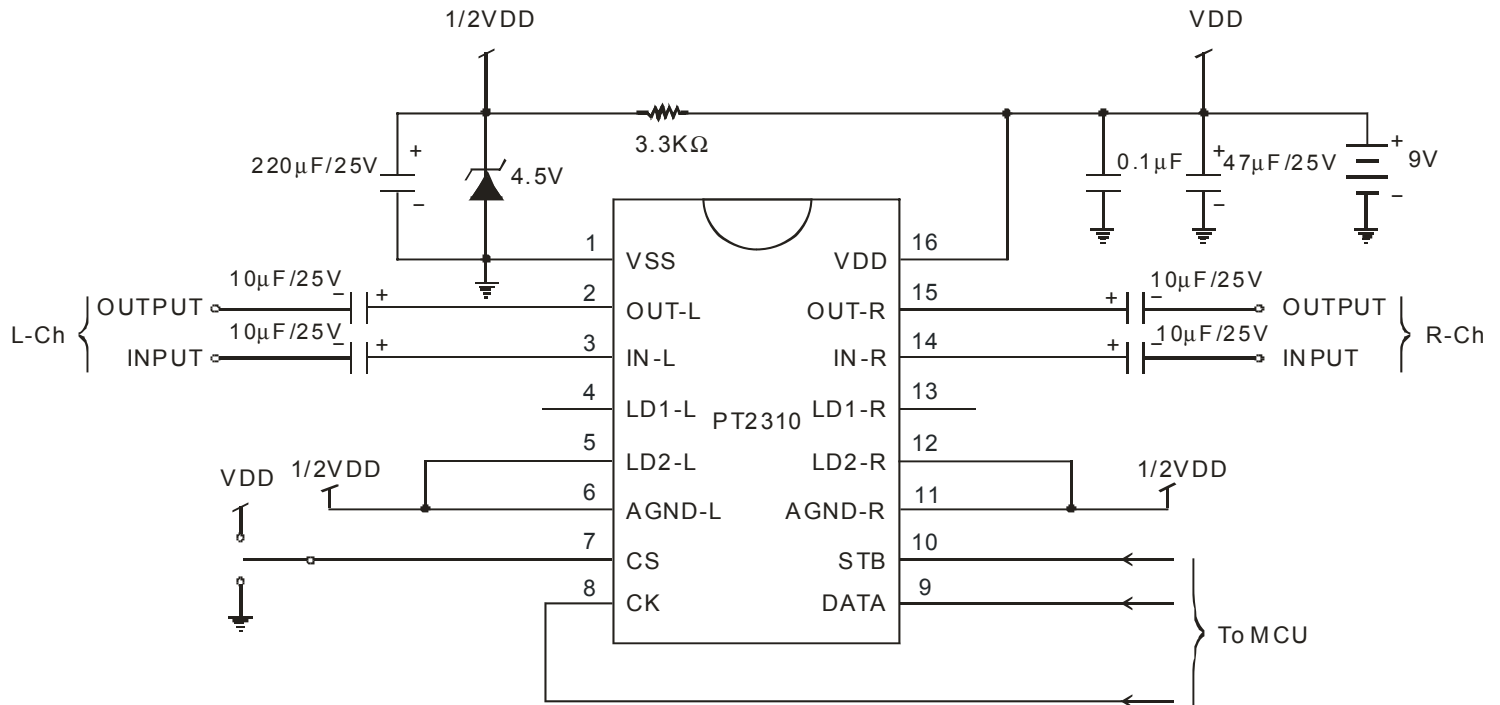


Note: With Loudness function





APPLICATION CIRCUIT 2



Note: Without Loudness function



ORDER INFORMATION

Order Part Number	Package Type	Top Code
PT2310	16 Pins, DIP, 300mil	PT2310
PT2310-S	16 Pins, SOP, 300mil	PT2310-S
PT2310 (L)	16 Pins, DIP, 300mil	PT2310
PT2310-S (L)	16 Pins, SOP, 300mil	PT2310-S

Note:

1. (L), (C) or (S) = Lead Free
2. The Lead Free mark is put in front of the data code.

