

[查询EM8620L供应商](#)

[捷多邦, 专业PCB打样工厂, 24小时加急出货](#)



# EM8620L Series

## Digital Media Processors with MPEG-4.10 (H.264) and SMPTE 421M (VC-1)

### Target Markets

- Digital media adapters
- IPTV
- DVD players/recorders with networking and/or PVR
- HDTV
- Portable media players

### Supported Technologies

- DVD-Video, Superbit™ DVD, DVD-R/-RW/+R/+RW, SVCD, VCD, CD/-R/-RW, Picture CD (JPEG) media formats
- Audio DSP for wide variety of audio codecs

### Video Decoding

- MPEG-4.10 (H.264) BP@L3, MP@L4.0 and HP@L4.0
- SMPTE 421M (VC-1) MP@HL and AP@L3
- WMV9 MP@HL
- MPEG-2 MP@HL
- MPEG-4.2 ASP@L5 (720p, without GMC)

### Advanced Video Processing

- 32-bit OSD
- 2D graphics
- Motion adaptive deinterlacing
- Adaptive flicker filtering
- Programmable up/downscaling
- Prioritized alpha mixing

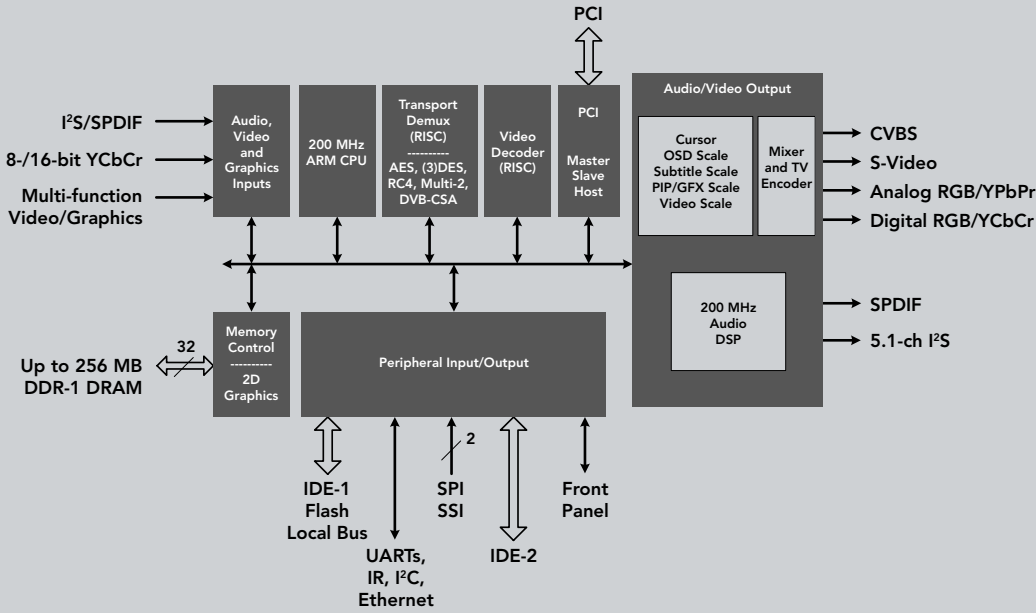
The EM8620L family provides highly-integrated solutions for products requiring high-definition MPEG-4.10 (H.264), SMPTE 421M (VC-1), WMV9, MPEG-4.2 and MPEG-2 decoding.

Incorporating flexible, advanced audio/video processing, the EM8620L family enables cost-effective solutions for consumer products such as digital media adapters, IPTV set-top boxes, networked DVD players, portable media players and HDTVs.



Powering the digital media generation





	EM8620L	EM8622L	EM8624L
Pin-Compatible	EM8610L	EM8620L	
VC-1 and MPEG-4.10 (H.264) Decoding		•	•
OpenType Font Rendering Acceleration	•	•	•
JPEG Decoding Acceleration		•	•
Video Input	8-bit BT.656	8-bit BT.656 with VBI capture	8-/16-bit BT.601/656 with VBI capture
Graphics Input Port			•
Ethernet			•
ISO 7816		shared	dedicated
DRAM Support	32-bit 64 MB	32-bit 128 MB	32-bit 256 MB
External Parallel Flash Support	8-bit 64 MB	8-bit 64 MB	8-bit 64 MB
PCI Peripherals	3	3	4
Clock Rate (MHz)	166	200	200
Non-Macrovision Version	EM8621L	EM8623L	EM8625L

## Sales Offices

**U.S.A (Headquarters)**  
 1221 California Circle  
 Milpitas, CA 95035-3024  
 Tel: (408) 262-9003  
 Fax: (408) 957-9740  
 www.sigmadesigns.com  
 sales@sdesigns.com  
 intl\_sales@sdesigns.com

**China**  
 Sigma Designs China Office  
 S. Unit 218, Changsong Building  
 Tairan Industry Zone,  
 Futian district,  
 Shenzhen, PRC  
 Postcode 518040  
 Tel: +86 755-83435669  
 Fax: +86 755-83435629

**Europe**  
 Sigma Designs, Inc.  
 Tel: +32 474-501234  
 Fax: +32 234-72260

**Hong Kong**  
 Sigma Designs (Asia) Ltd.  
 Unit 4001B, Tower 2, Metroplaza  
 223 Hing Fong Road  
 Kwai Fong, N.T. Hong Kong  
 Tel: +852 2401-7388  
 Fax: +852 2610-2177

**Japan**  
 Sigma Designs Japan  
 4-16-8 Nakahara, Mitaka-shi,  
 Tokyo 181-0005, Japan  
 Tel: +81 422-79-3067  
 Fax: +81 422-79-3067

**Taiwan**  
 Sigma Designs Taiwan  
 Far East World Center, C Tower  
 8F-8, No. 79, Sec 1  
 Hsin Tai Wu Road  
 Hsichih, Taipei Hsien  
 Taiwan  
 Tel: +886 2-2698-2066  
 Fax: +886 2-2698-2099

## Distributors

**Japan**  
 MACNICA, Inc.  
 Brilliant Technologies Company  
 Macnica Bldg. No 1, 1-6-3 Shin-Yokohama  
 Kohoku-Ku, Yokohama-City, 222-8561  
 Japan  
 Tel: +81 45-470-9831  
 Fax: +81 45-470-9832  
 www.k

**Korea**  
 Uniquet Korea  
 8th Floor Dongsung Bldg.  
 158-24, Samsung-Dong  
 Kangnam-Ku, Seoul 135-090  
 Korea  
 Tel: +82 2-3452-6622  
 Fax: +82 2-3452-6623  
 www.uniquet.co.kr

