

VIDEO DELAY LINES VIDEO DELAY LINES VIDEO

Video Delay Lines Used by most of the worlds major television studios and broadcast equipment manufacturers.

T-47-21

Fixed video delay lines

	5.5MHz		10MHz		Impedance Ω	5.5MHz Insertion Loss (dB)	10MHz Insertion Loss (dB)
	Order Code	Order Code	Total Delay (ns)				
0600B Series Outline 1	1101200200	1101200201	120	75 Ω	<0.50	<1.0	
	1101300200	1101300201	130	75 Ω	<0.50	<1.0	
	1101400200	1101400201	140	75 Ω	<0.50	<1.0	
	1101500200	1101500201	150	75 Ω	<0.50	<1.0	
	1101550200	1101550201	155	75 Ω	<0.50	<1.0	
	1101600200	1101600201	160	75 Ω	<0.50	<1.0	
	1101700200	1101700201	170	75 Ω	<0.50	<1.0	
	1101800200	1101800201	180	75 Ω	<0.50	<1.0	
	1101900200	1101900201	190	75 Ω	<0.50	<1.0	
	1102000200	1102000201	200	75 Ω	<0.50	<1.0	
0600H Series Outline 2	1103000200	1103000201	300	75 Ω	<0.80	<1.5	
	1104000200	1104000201	400	75 Ω	<0.90	<1.5	
	1105000200	1105000201	500	75 Ω	<1.5	<1.5	
0600J Series Outline 3	1106000200	1106000201	600	75 Ω	<1.5	<3.5	
	1107000200	1107000201	700	75 Ω	<1.8	<3.5	
	1108000200	1108000201	800	75 Ω	<1.9	<4.5	
	1109000200	1109000201	900	75 Ω	<2.3	<4.5	
	1110000200	1110000201	1000	75 Ω	<2.5	<4.5	

- Delay Tolerance $\pm 2\%$
- Amplitude/Frequency Response ± 0.1 dB to 5.5 MHz w.r.t. 100 kHz
- Ripple < 0.1 dB to 5.5 MHz w.r.t. 100 kHz
- Group Delay < 0.15 dB 5.5 MHz to 10 MHz
- Return Loss ≥ 25 dB 5.5 MHz
- Operating Temperature 0°C to $+70^\circ\text{C}$
- Storage Temperature -50°C to $+125^\circ\text{C}$
- Operating Voltage 30 volts DC Max.
- Insulation Resistance 100 Megohms at 100 volts DC

Programmable video delay lines

	Order Code	Total Delay (ns)	Main Section Delay (ns)	Impedance Ω	Bandwidth (MHz)	Insertion Loss (dB)	Return Loss (dB)
0600G SERIES OUTLINE 4	1201150200	115	40	75 Ω	5.5	<0.5	25
	1201350200	135	60	75 Ω	5.5	<0.5	25
	1201550200	155	80	75 Ω	5.5	<0.5	25
0600V SERIES OUTLINE 6	1201550206	155	40 + 40	75 Ω	5.5	<0.5	25
	1201950206	195	60 + 60	75 Ω	5.5	<0.5	25
	1202350206	235	80 + 80	75 Ω	5.5	<0.5	25

- Sectional Delay Tolerance 80 ns ± 2 ns
- 40 ns ± 2 ns
- 20 ns ± 2 ns
- 0 ns
- 10 ns ± 3 ns
- 0 ns
- 5 ns ± 3 ns
- 0 ns
- Amplitude/Frequency Response ± 0.1 dB to 5.5 MHz w.r.t. 100 kHz
- Ripple < 0.1 dB to 5.5 MHz
- Return Loss ≥ 25 dB to 5.5 MHz
- Group Delay ± 5 ns to 4.43 MHz
- Operating Temperature 0°C to $+70^\circ\text{C}$
- Storage Temperature -50°C to $+125^\circ\text{C}$
- Operating Voltage 30 volts DC max.
- Insulation Resistance 100 Megohms at 100 volts DC

PULSE DELAY LINES PULSE DELAY LINES PULSE DELAY

Tapped

0390 SERIES

**CASE
OUTLINE
5**

Order Code	Total Delay (ns)	Impedance Ω	Max. Rise Time (ns)
2300250208	25	75 Ω	5
2300400208	40	75 Ω	8
2300500208	50	75 Ω	10
2300750208	75	75 Ω	15
2301000208	100	75 Ω	20
2301500208	150	75 Ω	30
2303000208	300	75 Ω	60
2300500608	50	270 Ω	10
2300750608	75	270 Ω	15
2301000608	100	270 Ω	20
2301500608	150	270 Ω	30
2302000608	200	270 Ω	40
2302500608	250	270 Ω	50
2305000608	500	270 Ω	100
2300500708	50	500 Ω	10
2300750708	75	500 Ω	15
2301000708	100	500 Ω	20
2301500708	150	500 Ω	30
2302000708	200	500 Ω	40
2302500708	250	500 Ω	50

Programmable

Order Code	Total Delay	Sections	Impedance	Max. Rise Time
2201550208	155 ns	5 10 20 40 80 ns	75 Ω	35 ns
2206200208	620 ns	20 40 80 160 320 ns	75 Ω	125 ns

CASE OUTLINE 4

Order Code	Total Delay	Sections	Impedance	Max. Rise Time
0407 E	1500 ns	100 + 200 + 400 + 800 ns	75 Ω	160 ns

CASE OUTLINE 7

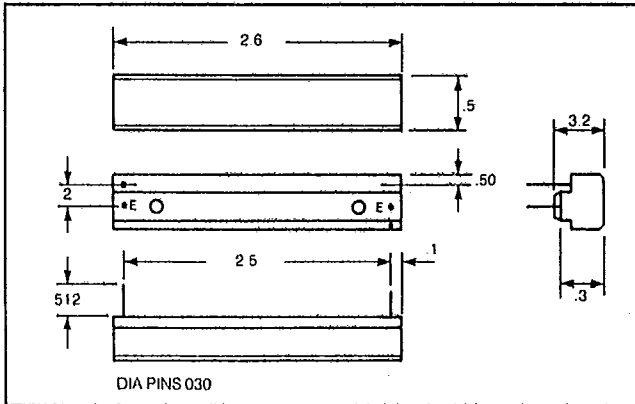


PULSE DELAY LINES PULSE DELAY LINES PULSE DELAY

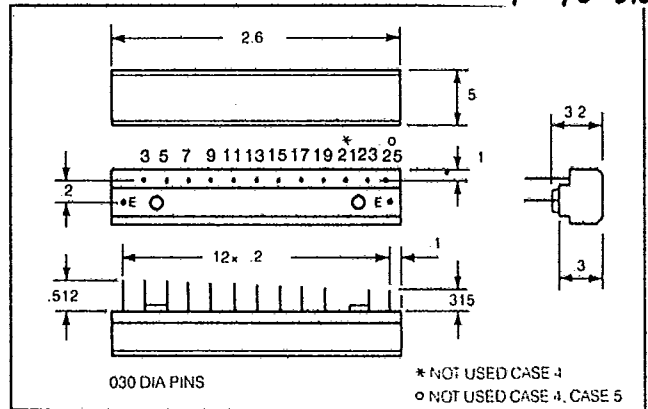
6116225 MICROSONICS INC

97D 00251 D

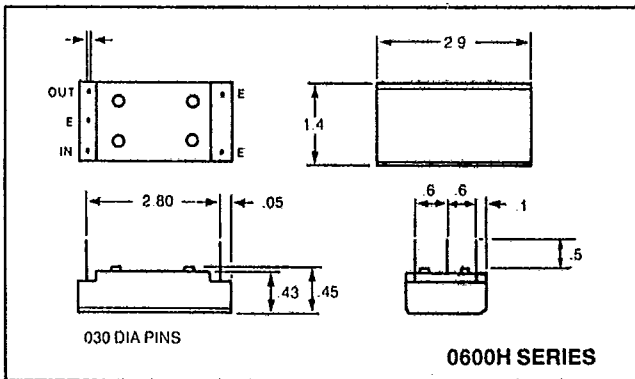
B-47-17
T-90-20



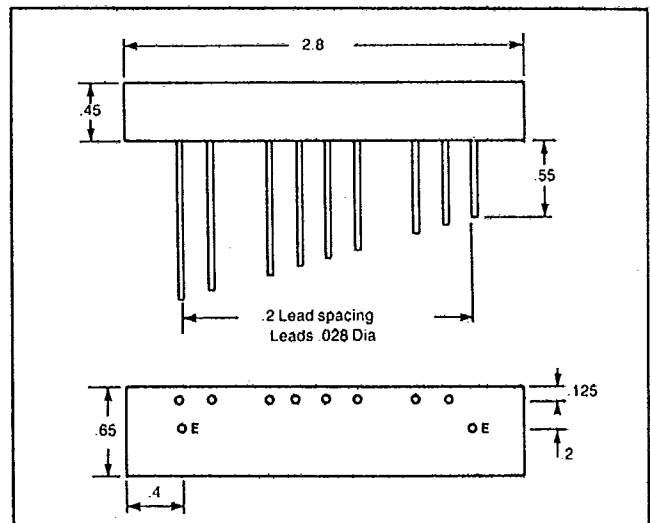
Case 1



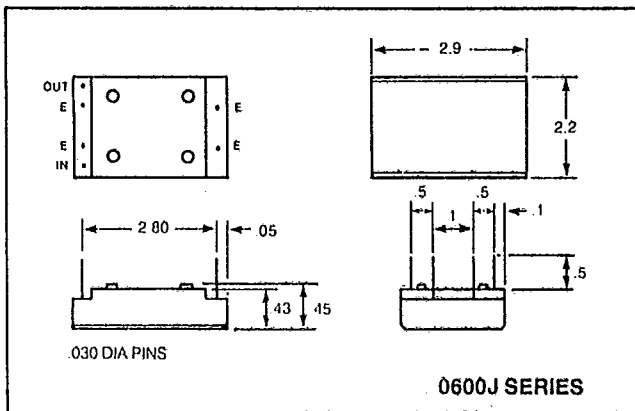
Case 4, 5, 6



Case 2



Case 7



Case 3

