



Micro Commercial Components

Micro Commercial Components  
20736 Marilla Street Chatsworth  
CA 91311  
Phone: (818) 701-4933  
Fax: (818) 701-4939

# 2N7002DW

## Features

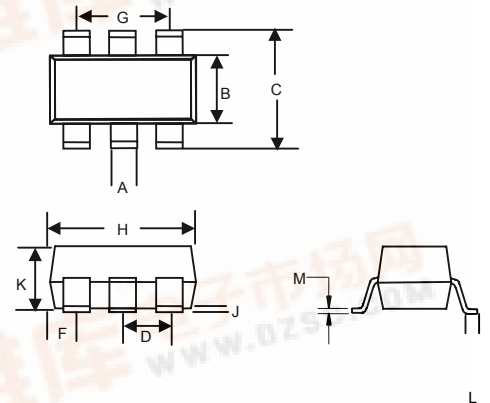
- Case Material: Molded Plastic. UL Flammability Classification Rating 94V-0
- Power Dissipation: 0.2W(Tamb=25°C)
- Drain Current: 115mA
- Drain-source Voltage: 60V
- Operating Junction Temperature: -55 to +150°C
- Storage Temperature: -55 to +150°C
- Marking: K72

## N-Channel MOSFET

### Electrical Characteristics @ 25°C Unless Otherwise Specified

Symbol	Parameter	Min	Typ	Max	Units
$V_{(BR)DSS}$	Drain-Source Breakdown Voltage* ( $V_{GS}=0Vdc, I_D=10\mu Adc$ )	60	70	---	Vdc
$V_{th(GS)}$	Gate-Threshold Voltage* ( $V_{DS}=V_{GS}, I_D=250\mu Adc$ )	1.0	1.5	2.0	Vdc
$I_{GSS}$	Gate-body Leakage* ( $V_{DS}=0Vdc, V_{GS}=\pm 20Vdc$ )	---	---	$\pm 10$	nAdc
$I_{DSS}$	Zero Gate Voltage Drain Current* ( $V_{DS}=60Vdc, V_{GS}=0Vdc$ ) ( $V_{DS}=60Vdc, V_{GS}=0Vdc, T_j=125^\circ C$ )	---	---	1 500	$\mu Adc$
$I_{D(ON)}$	On-state Drain Current* ( $V_{DS}=7.5Vdc, V_{GS}=10Vdc$ )	0.5	1.0	---	Adc
$r_{DS(on)}$	Drain-Source On-Resistance* ( $V_{GS}=5Vdc, I_D=50mAdc$ ) ( $V_{GS}=10Vdc, I_D=500mAdc$ )	---	3.2 4.4	7.5 13.5	$\Omega$
$g_{FS}$	Forward Transconductance* ( $V_{DS}=10Vdc, I_D=200mAdc$ )	80	---	---	ms
$C_{iss}$	Input Capacitance	---	22	50	pF
$C_{oss}$	Output Capacitance	---	11	25	
$C_{rss}$	Reverse Transfer Capacitance	---	2	5	

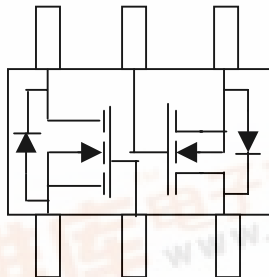
## SOT-363



### Switching

$t_{d(on)}$	Turn-on Time	$V_{DD}=30Vdc,$ $V_{GEN}=10Vdc$ $R_L=150\Omega, I_D=200mA,$ $R_G=25\Omega$	---	7	20	ns
$t_{d(off)}$	Turn-off Time		---	11	20	

\* Pulse test, pulse width  $\leq 300 \mu s$ , duty cycle  $\leq 20\%$



DIM	INCHES		MM		NOTE
	MIN	MAX	MIN	MAX	
A	.004	.012	0.10	0.30	
B	.045	.053	1.15	1.35	
C	.079	.087	2.00	2.20	
D	.026		0.65Nominal		
F	.012	.016	0.30	0.40	
H	.071	.087	1.80	2.20	
J	---	.004	---	0.10	
K	.035	.039	0.90	1.00	
L	.010	.016	0.25	0.40	
M	.004	.016	0.10	0.25	





Micro Commercial Components

**\*\*\*IMPORTANT NOTICE\*\*\***

*Micro Commercial Components Corp.* reserves the right to make changes without further notice to any product herein to make corrections, modifications, enhancements, improvements, or other changes. *Micro Commercial Components Corp.* does not assume any liability arising out of the application or use of any product described herein; neither does it convey any license under its patent rights, nor the rights of others. The user of products in such applications shall assume all risks of such use and will agree to hold *Micro Commercial Components Corp.* and all the companies whose products are represented on our website, harmless against all damages.

**\*\*\*APPLICATIONS DISCLAIMER\*\*\***

Products offer by *Micro Commercial Components Corp.* are not intended for use in Medical, Aerospace or Military Applications.

