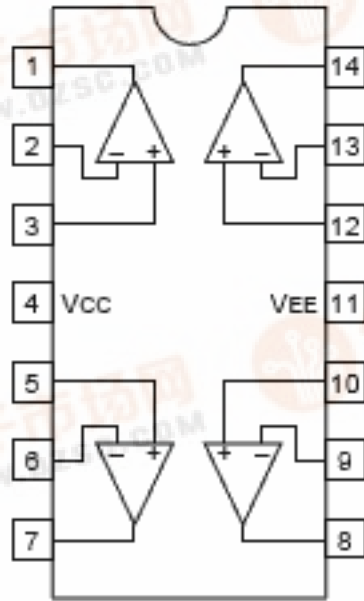


UPC458C
IL08

QUAD OPERATIONAL AMPLIFIER
—TOP VIEW—



$V_{CC} - V_{EE} \leq 38V$

