



STV0297J

Universal digital cable demodulator

DATA BRIEF

Description

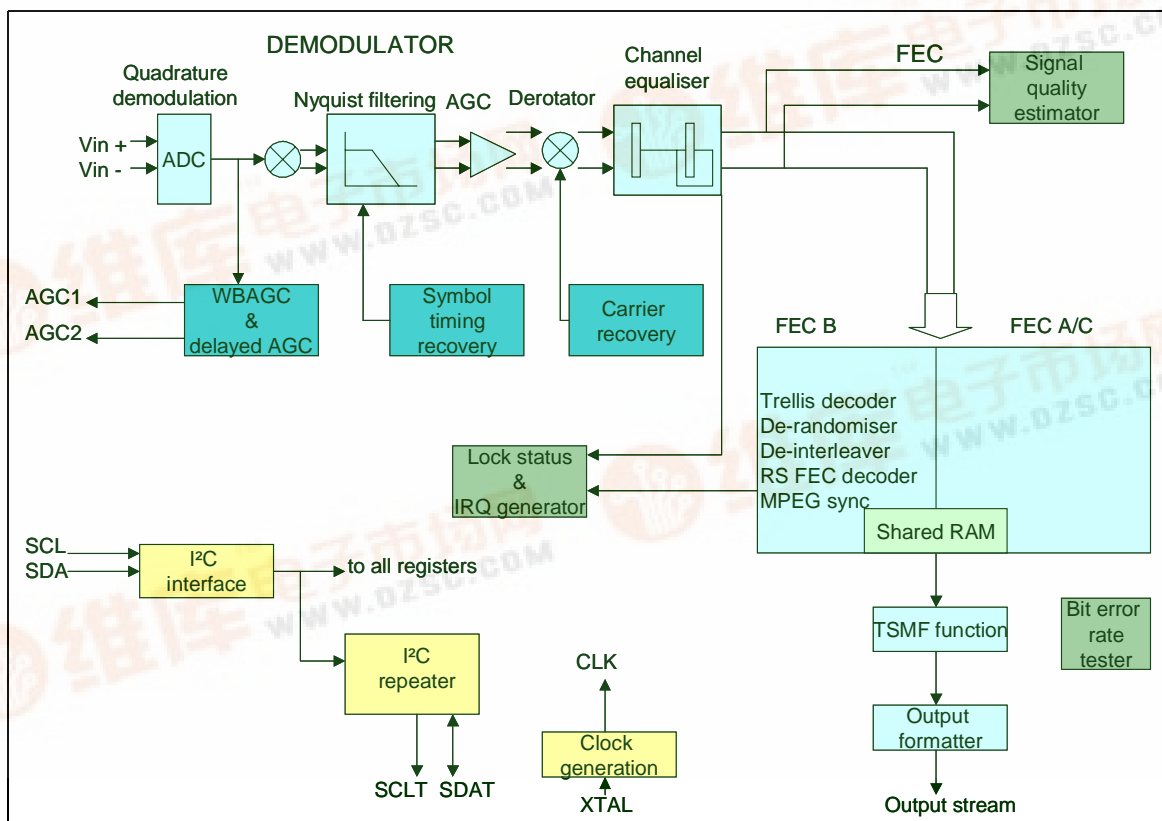
The **STV0297J** is a highly integrated device, compliant with DVB-C/ITUJ83-A/B/C.

It provides a small footprint, low-power solution enabling it to be easily integrated into broadcast and interactive set-top boxes and network interface modules.

Furthermore, the **STV0297J** is the first QAM demodulator with the integrated support for transport stream multiplex frame required for Japanese cable set-top boxes.



Application: Advanced solution for very low-cost broadcast and interactive cable set-top boxes



Features

- Integrated high performance ADC
- Support for 4-, 16-, 32-, 64-, 128-, 256-point constellation variable symbol
- Rate from 0.87 MBaud to 11.7 MBaud
- Robust integrated adaptative equaliser
- I²C serial bus and I²C repeater
- DVB common parallel interface-compliant serial and parallel data output
- Lock time <100ms
- Low power consumption <0.5W typ.
- TQFP 64 10x10 package

Ordering information

Device number	Description
STV0297J	QAM FEC A/B/C
STV0297JT	QAM FEC A/B/C with tape and reel
STV0297J-TMM	Development platform

Information furnished is believed to be accurate and reliable. However, STMicroelectronics assumes no responsibility for the consequences of use of such information nor for any infringement of patents or other rights of third parties which may result from its use. No license is granted by implication or otherwise under any patent or patent rights of STMicroelectronics. Specifications mentioned in this publication are subject to change without notice. This publication supersedes and replaces all information previously supplied. STMicroelectronics products are not authorized for use as critical components in life support devices or systems without the express written approval of STMicroelectronics.

The ST logo is a registered trademark of STMicroelectronics
All other names are the property of their respective owners

© 2004 STMicroelectronics - All Rights Reserved

STMicroelectronics Group of Companies

Australia - Belgium - Brazil - Canada - China - Czech Republic - Finland - France - Germany - Hong Kong - India - Israel - Italy
Japan - Malaysia - Malta - Morocco - Singapore - Spain - Sweden - Switzerland - United Kingdom - United States

www.st.com

