



SiI 9031 PanelLink Cinema Receiver



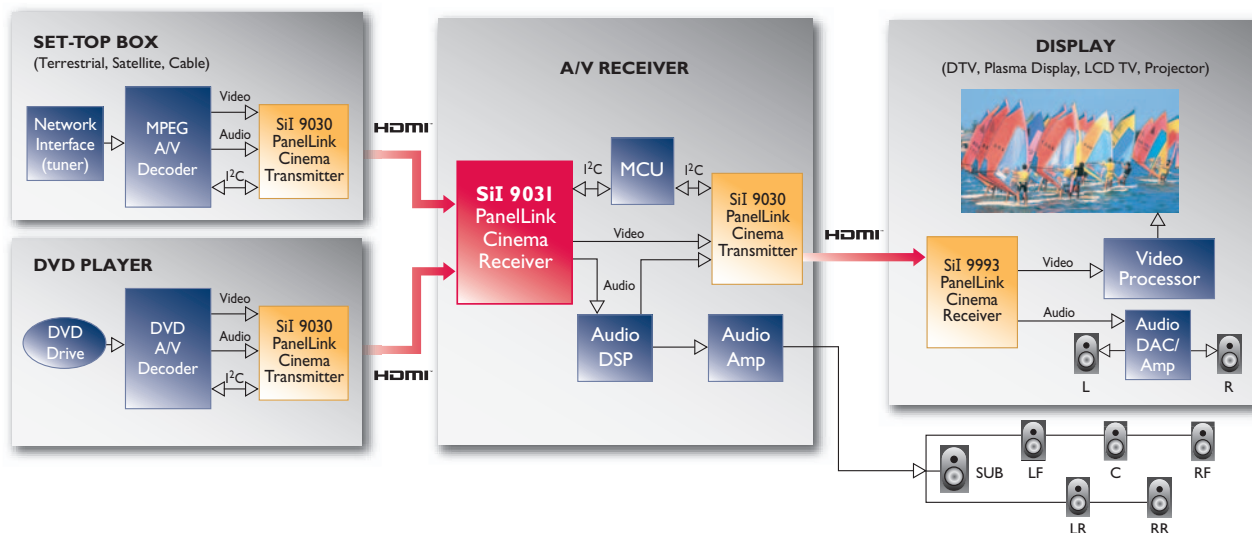
Applications

- A/V Receivers
- HDTVs
- Plasma TVs
- LCD TVs

Silicon Image introduces the second generation of its PanelLink Cinema™ product family with advances in performance and functionality well beyond other digital interface products on the market. With the first groundbreaking HDMI parts, PanelLink Cinema brought a new level of digital quality to mass-market home theater systems. The latest advances increase audio format support, video resolution and HDMI port count, while reducing overall system cost. PanelLink Cinema products are fully HDMI 1.0 compliant. As always, Silicon Image has built PanelLink Cinema silicon for rapid integration into consumer electronics system architectures.

The SiI 9031 is an advanced dual-input HDMI receiver that fits directly into home theater products such as A/V receivers and digital televisions (D TVs), including HDTVs, plasma TVs and LCD TVs. To improve manufacturers' time-to-market and reduce design time, the SiI 9031 is backward compatible with first-generation PanelLink Cinema receivers. In addition to all the features in the original PanelLink Cinema receivers, the SiI 9031 has two HDMI input ports for connecting both a DVD player and a set-top box to a single television or A/V receiver. The SiI 9031 supports the DVD Audio standard including 7.1-surround audio at 96kHz and stereo audio at 192kHz. The SiI 9031 also supports HDCP repeater functionality for applications such as A/V receivers.

The built-in High-bandwidth Digital Content Protection (HDCP) decryption engine secures the digital link for transmission of valuable high-definition video and audio. Each SiI 9031 is pre-programmed with unique HDCP keys, providing the highest level of security while reducing manufacturing complexity and cost.



ALL DIGITAL - NO LIMITS





SiI 9031 Features

PanelLink Cinema Receiver

Industry-Standard Compliance

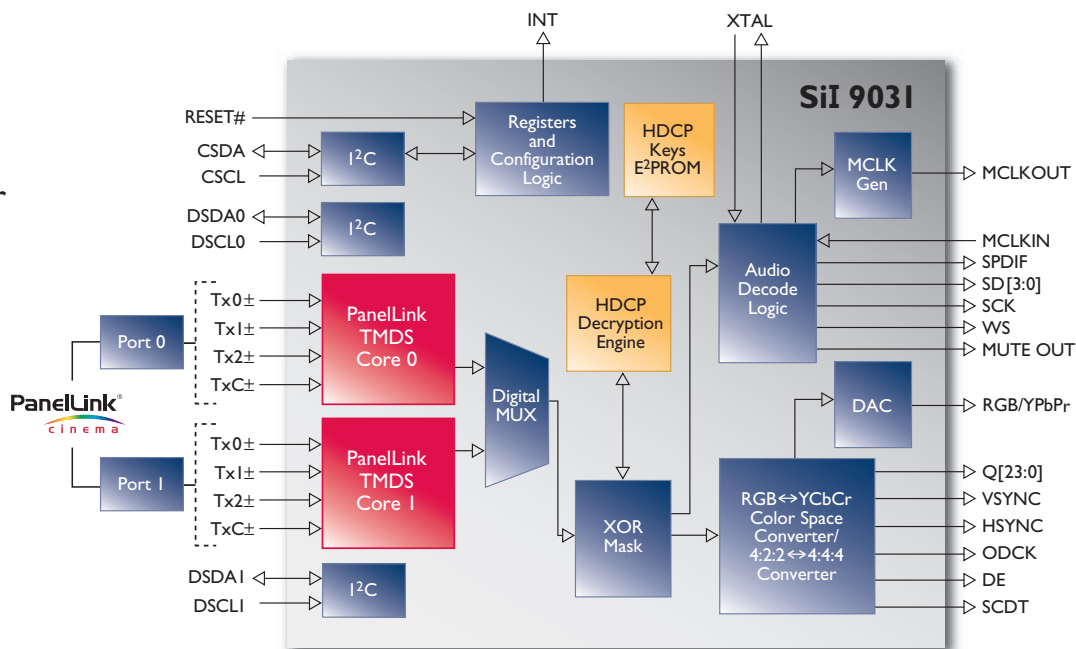
- HDMI 1.0
- DVI 1.0
- EIA/CEA-861B
- HDCP 1.1

Digital Video Output

- Dual integrated PanelLink® cores
- Supports DTV (480i/576i/480p/576p/720p/1080i) and PC (VGA/XGA/SXGA) resolutions
- Flexible digital video interface
 - 24-bit RGB/YCbCr 4:4:4
 - 16/20/24-bit YCbCr 4:2:2
 - 8/10/12-bit YCbCr 4:2:2 (ITU-R BT.656)
 - 12-bit digital media interface
- Analog RGB and YPbPr output
 - Integrated 10-bit DAC
 - Separate or composite syncs (sync on Y/G)
- Integrated RGB↔YCbCr color space conversion
- 4:2:2↔4:4:4 converter

Digital Audio Output

- Industry-standard S/PDIF and I²S output
- Supports high-end audio including DVD Audio
 - 2-ch. 32-192kHz or
 - 8-ch. 32-96kHz
- Programmable I²S output supports numerous low-cost audio DACs
- Supports IEC60958 2-channel PCM
- Capable of carrying IEC61937 compressed audio (Dolby Digital, DTS, etc.)



Content Protection

- Integrated HDCP cipher engine
- Pre-programmed HDCP keys
 - Simplify manufacturing process
 - Most secure solution available
 - Lower system, manufacturing costs
- Supports HDCP repeater capability
- Decrypts both video and audio

System Operation

- Register-programmable via slave I²C interface
- Auto video mode simplifies design
- Auto audio mode allows more robust system
- Flexible interrupt registers with interrupt pin

Power Management

- 1.8V core provides low-power operation
- Flexible power-down modes

Silicon Image's SiI 9031 Starter Kit (CP9031HDMI)

Contents include:

Hardware

- SiI 9031 Receiver Daughter Board
- HDMI to HDMI cable

Software

- HDMIGear Receiver Software Tool

Documentation

- User's Guide
- Schematics
- Bill of Materials (BOM)

Part Number - SiI9031CTU - Production HDCP keys
SiI9031CTU - PUB - Public HDCP keys, for development only



Silicon Image, Inc.
 1060 E. Arques, Sunnyvale, CA 94085
 T 408.616.4000 F 408.830.9530
 www.siliconimage.com