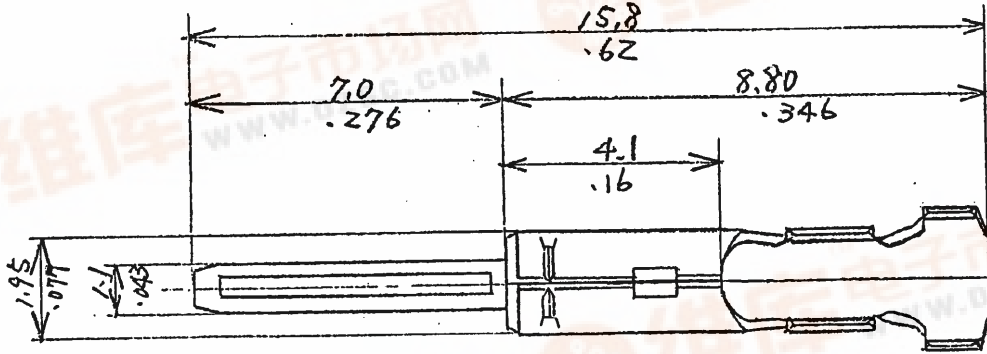
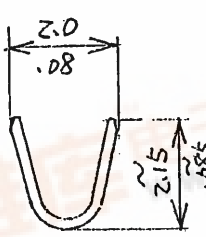
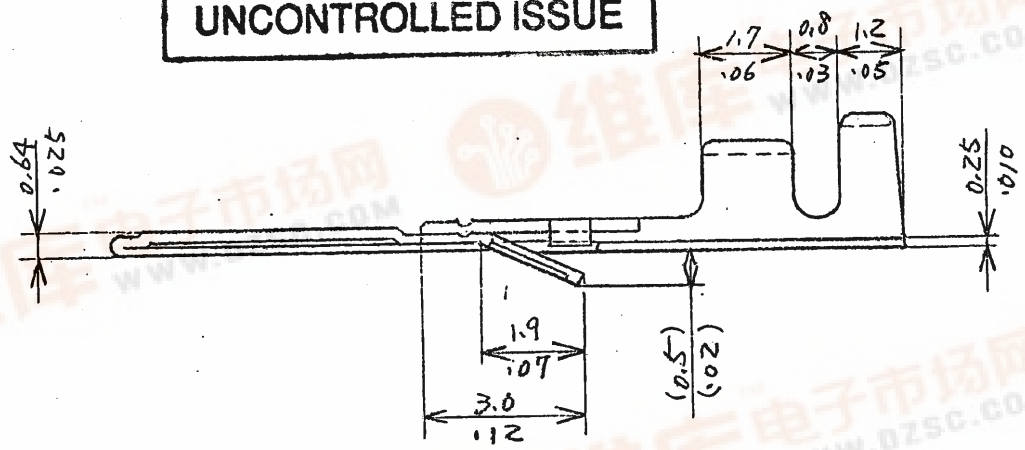


3357661 *

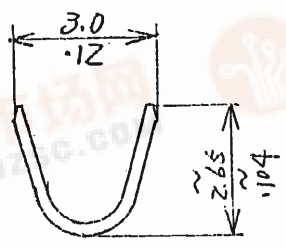


THIS DRAWING/DOCUMENT IS THE PROPERTY OF J.S.T. (U.K.) LTD. IT MUST NOT BE COPIED OR USED FOR MANUFACTURE WITHOUT WRITTEN PERMISSION FROM J.S.T. (U.K.) LTD.

UNCONTROLLED ISSUE



WIRE BARREL



INSULATION BARREL

1. DIMENSIONS ARE IN ^{M.M} INCH
 2. UNLESS OTHERWISE SPECIFIED
 TOLERANCES $\pm \frac{0.3}{0.02}$

						REVISIONS	
No.	NAME	MATERIAL	REMARKS	PART NAME		SM-CONNECTOR	
	MN CONTACT	PHOSPHOR BRONZE	TIN PLATED	PART No.		BYM + SYM - 001T - P0.6	
J. S. T.				DRAWING No.		KRD - 9979	
				DATE		ISSUE	
APPROVED BY	CHECKED BY	DRAWN BY	SCALE	PROJECTION	DATE		
		E.O		3rd	Aug. 20 1991		

