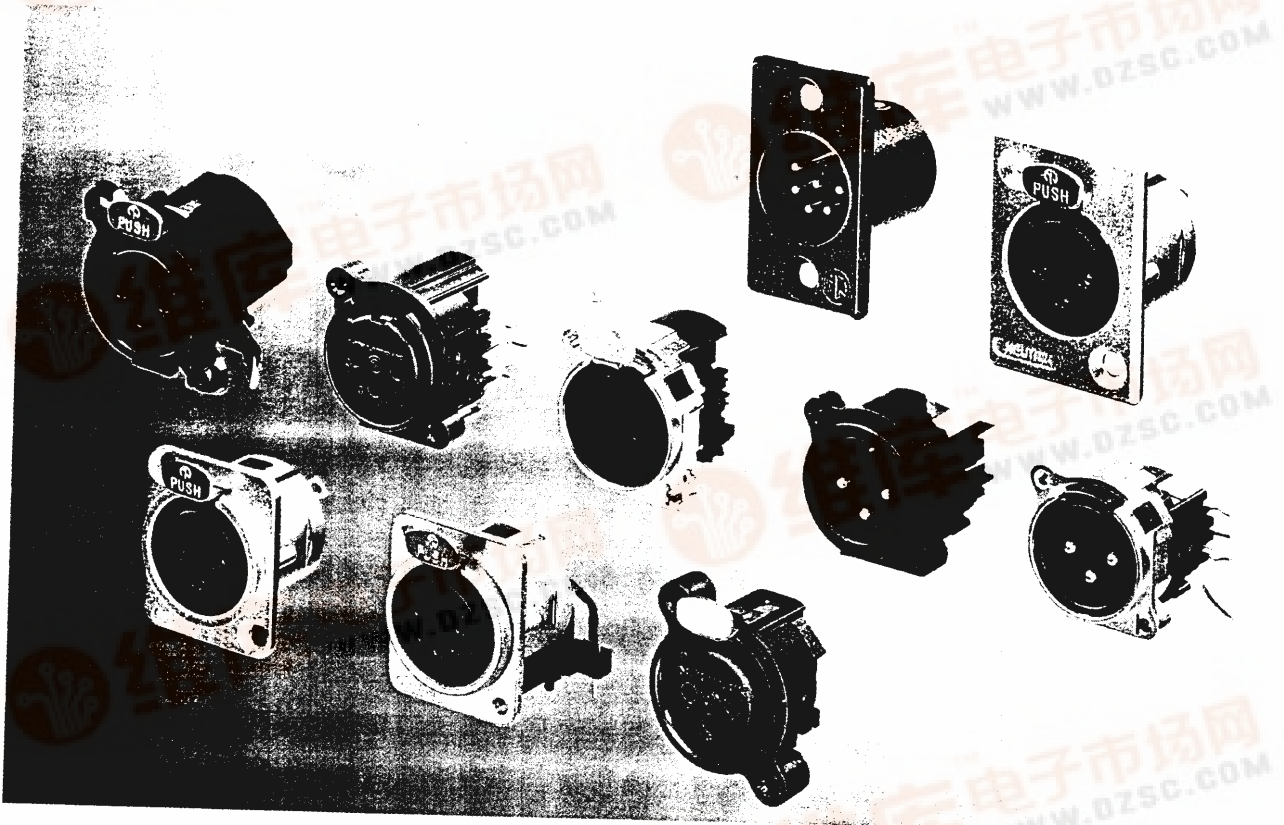


-724-506 to 555-

XLR

Receptacles



WE ARE SETTING STANDARDS

- Eight different series to cover all conceivable applications
- From the world largest and most innovative XLR-manufacturer
- Easy to assemble, simple to use
- Reliable, robust with a worldwide reputation



NEUTRIK

CONNECTING THE WORLD

CONNECTORS

AUDIO TEST SYSTEMS

PRODUCT FEATURES

DIMENSIONAL DRAWINGS

(PCB layouts and dimensional drawings on request)

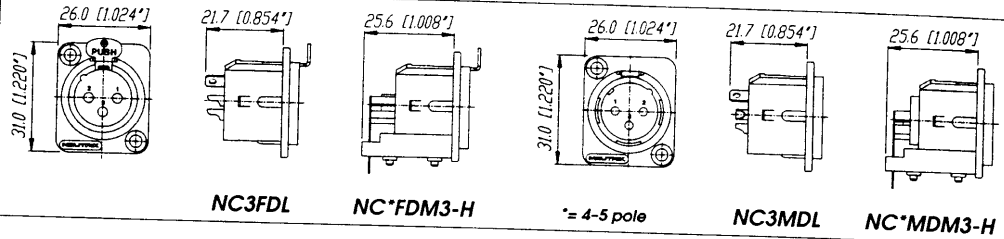
P Series

Smallest available hard wiring "CLASSICS"
Large solder cups.



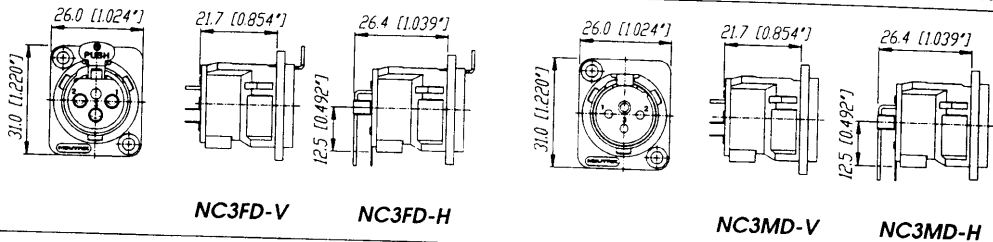
DL Series

Unified metal shell for male and female. RF-protected.
Solder cups, or PCB terminations (4 & 5 pole only).



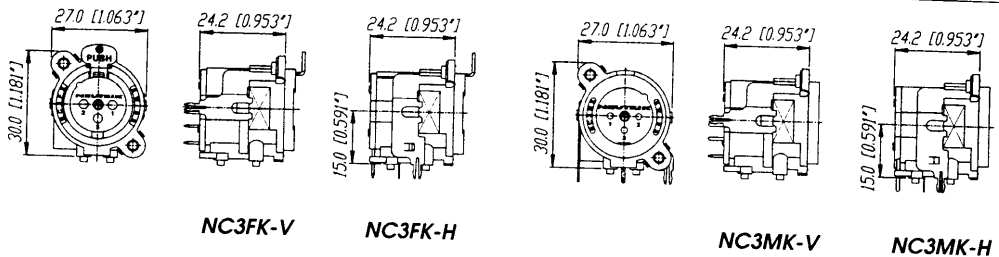
D Series

Unified metal shell for male and female. Insert premounted to PCB, shell to enclosure, front locked / unlocked. RF-protected.



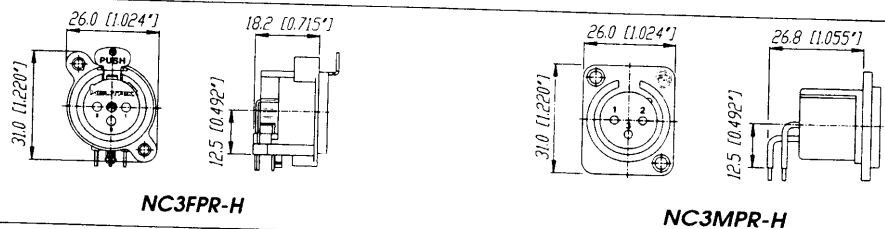
K Series

Extremely versatile and cost effective concept.
Metal brackets secure the socket to the PCB, machine insertable. M3-thread screw holes with panel-ground contacts.



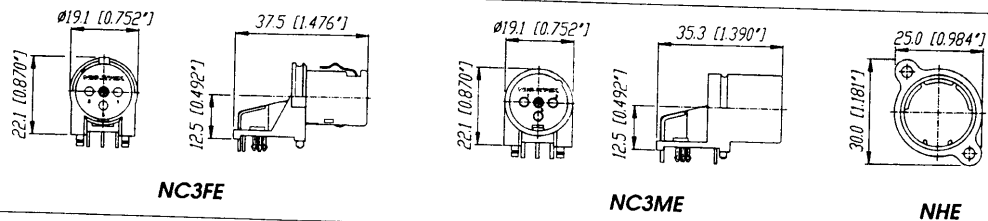
R Series

Small size, low cost.
XLR-sockets without ground contact, available with or without latch. Gold contacts on female.



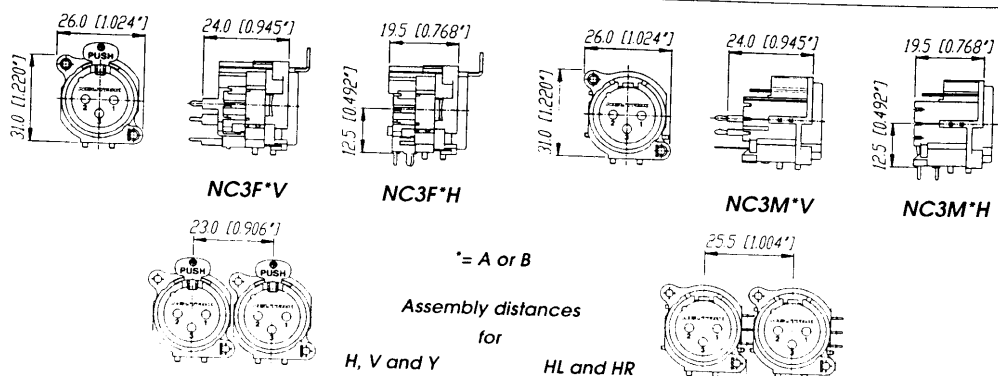
E Series

Minimum weight, direct to the PCB, right angle sockets. Escutcheon available. Gold contacts on female.



A and B Series

The new "State of the Art" receptacle.
Smallest size / highest packing density.
New designed contacts with polished contact areas and hard gold plating. TF-contacts.
Variety of shell and chassis grounding facilities, direct "Pin 1" to chassis ground connection available.
Special B series version with additional ground contacts for better RF-proi



* = A or B
Assembly distances for H, V and Y HL and HR



Type Nr. CODING				SPECIAL VERSIONS/REMARKS	SPECIFICATIONS	
SHELL	CONT.	FEMALE	MALE		TYPE SPECIFIC	COMMON

Nickel	Silver	NC*FP	NC**MP
Black Cr	Gold	NC*FP-B	NC**MP-B
	Silver	NC3FP-BAG	NC3MP-BAG

Compatibility:
Switchcraft* DxM, DxF
Cannon XLRx31, XLRx32
Dimensionally with D series

*: 6-pole version with Switchcraft contact arrangement (6 FS/MS) available: contact factory

ELECTRICAL
Number of contacts: 3-7 (except MP: 3-6)
Rated current: see chart under common specs.

ELECTRICAL
Rated voltage: 250 V ac
Dielectric strength: 1500 V dc
Contact resistance: ≤ 5 mΩ
Insulation resistance (Initial): >2·10⁸ Ω
Insulation resistance after damp heat test: >1·10⁸ Ω

Nickel	Silver	NC*FDL	NC*MDL
Black Cr	Gold	NC*FDL-B	NC*MDL-B
	Silver	NC*FDL-BAG	NC*MDL-BAG
Nickel	Silver	NC+FDM3-H	NC+MDM3-H
Black Cr	Silver	NC+FDM3-H-BAG	NC+MDM3-H-BAG

PCB versions (4 & 5 pole): horizontal PCB mounting, fastening by chassis mounting holes with M3 threads or by self tapping PT[®] screws with thread 2.9x1.06 (tri-rondular) direct to PCB

MATERIALS
Shell: ZnAlCu1, gal Ni or black chromium (Cr) plating
Contacts - female (4-7 pole) & male:
CuZn39Pb3
Contact surface: gal 2 μm Ag or gal 0.3 μm Au hard alloy over 2 μm Ni

P-, DL-Series:

x	I (A)	□ (mm ² /AWG)	C (pF)
3	16	2.5/14	≤ 4
4	10	1.5/16	≤ 7
5	7.5	1.0/18	≤ 7
6	7.5	1.0/18	≤ 7
7	5	1.0/18	≤ 9

Nickel	Silver	NC3FD-V	NC3MD-V
Black Cr	Gold	NC3FD-V-B	NC3MD-V-B
	Silver	NC3FD-V-BAG	NC3MD-V-BAG
Nickel	Silver	NC3FD-H	NC3MD-H
Black Cr	Gold	NC3FD-H-B	NC3MD-H-B
	Silver	NC3FD-H-BAG	NC3MD-H-BAG

Mounting holes with M3 threads: add suffix "-M3"

Females:
Retention spring instead of latch: add suffix "-0"

ELECTRICAL
Number of contacts: 3
Rated current: 6 A

MATERIALS
Shell: ZnAlCu1, gal Ni or black Cr plating
Contacts:
- male: CuZn39Pb3
Contact surface:
gal 2 μm Ag or gal 0.3 μm Au hard alloy over 2 μm Ni

x ... No. of contacts
I ... Rated current per contact
□ ... Max. wire size
C ... Capacitance between contacts

PA 6.6 GR	Silver	-	NC3MK-V
	Gold	NC3FK-V	-
	Silver	-	NC3MK-H
	Gold	NC3FK-H	-

Version without brackets: contact factory

Compatibility:
Cannon XLB
Switchcraft PQG

Females:
Retention spring instead of latch: add suffix "-0"

ELECTRICAL
Number of contacts: 3
Rated current: 6 A

MATERIALS
Shell (Insert): PA 6.6 30% GR
Contacts:
- male, CuZn35Pb2
Contact surface:
- female: 0.5 μm Au cladded
- male: gal 2 μm Ag

MECHANICAL
Insertion / withdrawal force:
≤ 20 N / ≤ 10 N
Retention method:
- standard: latch lock
- "-0" version: retention spring
Separating force: ≥ 20 N

PA 6.6 GR	Silver	-	NC3MPR-H
	Gold	NC3FPR-H	-

Females:
Retention spring instead of latch: add suffix "-0",
no ground contact

Vertical versions:
contact factory

ELECTRICAL
Number of contacts: 3

MATERIALS
Shell (Insert): PA 6.6 30% GR
Contacts:
- male, CuZn35Pb2
Contact surface:
- female: 0.5 μm Au cladded
- male: gal 2 μm Ag

ENVIRONMENTAL
Temperature range: -30°C to +80°C
Flammability: UL 94HB
Solderability:
complies with IEC 68-2-20

PA 6.6 GR	Silver	-	NC3ME-H
	Gold	NC3FE-H	-

Accessory:
Snap on escutcheon NHE with mounting holes for selftapping screws PT-K30

Compatibility:
Switchcraft RAPC series

ELECTRICAL
Number of contacts: 3

MATERIALS
Shell (Insert): PA 6.6 30% GR
Contacts:
- male, CuZn35Pb2
Contact surface:
- female: 0.5 μm Au cladded
- male: gal 2 μm Ag

MATERIALS
Insert: PA 6.6 30% GR (glass reinforced)
Contacts: - female (3-pole): CuSn6
Latch lock & spring:
CK 67 steel, treated

Series	Termination	Grounding	Retention / Shell	FEMALE
NC3F	X	X	X	X
A			#	plastic shell & latch lock
			-0	plastic shell & retention spring
B			#	Ni metal shell
			-B	black Cr metal shell
H				horizontal PCB
V				vertical PCB
HR				lateral right PCB
HL	1			lateral left PCB
Y	#			IDC
	1			pin "1" & ground connected

Series	Termination	Shell lock	MALE
NC3M	X	X	X
A		#	plastic shell
		#	Ni metal shell
B		-B	black Cr metal shell
H			horizontal PCB
V			vertical PCB
HR			lateral right PCB
HL			lateral left PCB
Y			IDC

ELECTRICAL
Number of contacts: 3
Rated current: 6 A

MATERIALS
Shell (Insert): PA 6.6 30% GR
Flammability: UL 94 V-0
Ring (B-series): ZnAl4Cu1

Contacts:
- male: CuZn35Pb2
Contact surface:
gal 0.1 μm AuCo over 2 μm NiP15 (Tribor)

REMARKS
Version with IDC wiring:
Applicable wire size AWG 24 and 26

Special version for B series with additional ground contacts: add suffix "E"

Special non quoted versions available on request.

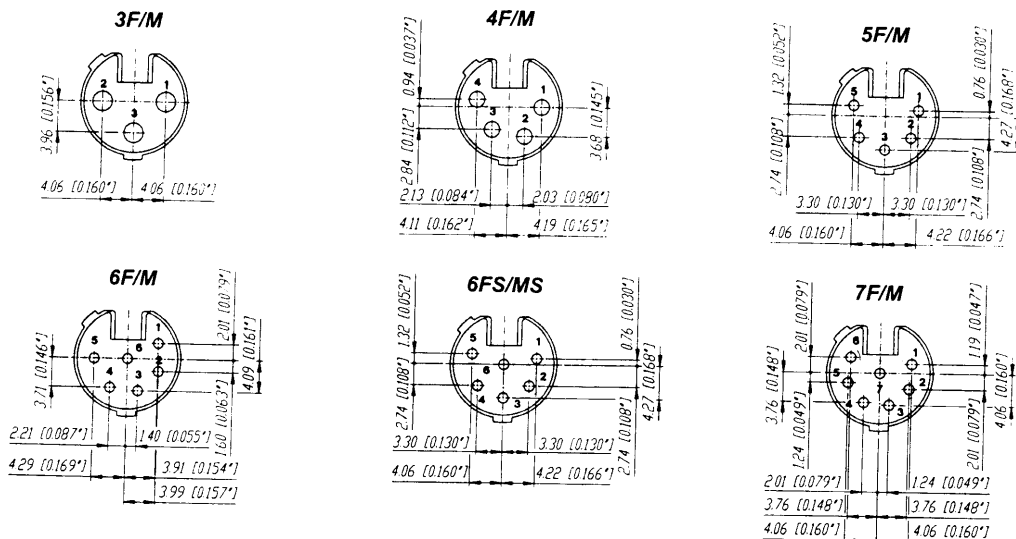
Fastening:
A-series: self tapping PT[®] screws with thread 2.9x1.06 and tri-rondular configuration
B-series: TAPTITE[®] screws M2.5 (tri-rondular)



... skip this place

CONTACT ARRANGEMENTS

FEMALE: Mating side
MALE: Wiring side



NEUTRIK "THE CONNECTOR INNOVATORS"

- The "Chuck Principle" Strain Relief
- The Helicon® Contact
- The first Unified Male-Female XLR Receptacle
- The first Rear Mount XLR Receptacle
- The first direct to PCB XLR Receptacle
- The Screwless Cable Connector
- The Smallest Cable Connector
- The first Locking Phone Jack
- The first Fully Modular Connecting System
- The first Die-Cast Phone Plug
- The first Heavy Duty Waterproof XLR Connector
- The first Safety-Proof & AVC-Proof Speaker-Amplifier Connecting System
- The first Fully Crimped 1/4" Plug
- The first "Ground Before Signal" Phono Plug
- The Smallest XLR Socket
- The first 1/4" Jack with separated retention
- The first Bantam Plug with separated retention and gold contacts
- The first combined Jack-XLR Receptacle
- The smallest and most universal XLR Receptacle

- (C Series et al.) 1975
- 1975
- (D Series) 1980
- (D Series) 1980
- (D Series) 1980
- (X Series) 1981
- (X Series) 1981
- (J Series) 1981
- (NEUTRICON®) 1982
- (P Series) 1983
- (HD Series) 1986
- (SPEAKON®) 1987
- (KIK) 1988
- (PROF1) 1989
- (R Series) 1990
- (J Series) 1990
- (TT Series) 1991
- (Combo) 1992
- (A/B Series) 1995

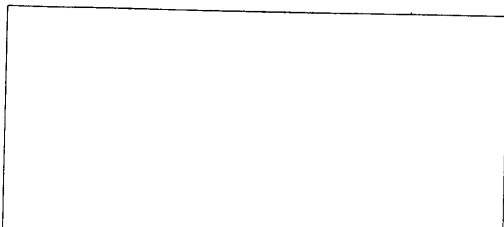
REPRESENTED AND SERVICED BY:

Neutrik AG
 Liechtenstein
 Tel.: 075/237 24 24
 Fax.: 075/232 53 93

Neutrik USA INC.
 USA
 Tel.: 908/901 9488
 Fax.: 908/901 9608

Neutrik UK
 Great Britain
 Tel.: 019 83/811 441
 Fax.: 019 83/811 439

Neutrik Zürich AG
 Switzerland



NEUTRIK