

2.5-GHz, High Dynamic Range, Low-Noise Down-Converter

FEATURES

- Performs First Down-Conversion in MMDS / WCS Radio 2300 MHz to 2700 MHz
- Integrated Low Noise, Variable Gain Amplifier
- Provisions For An External Image Reject / Band Pass Filter
- Differential Mixer Provides Extra Noise Immunity
- Integrated LO Buffer Amplifier
- 20 dB of Gain With 10 dB of Gain Control
- 3-dB Noise Figure, Typical
- Input Third Order Intercept of 0 dBm, Typical
- Input P-1 dB of -5 dBm, Typical
- LO Input Power: 3 dBm

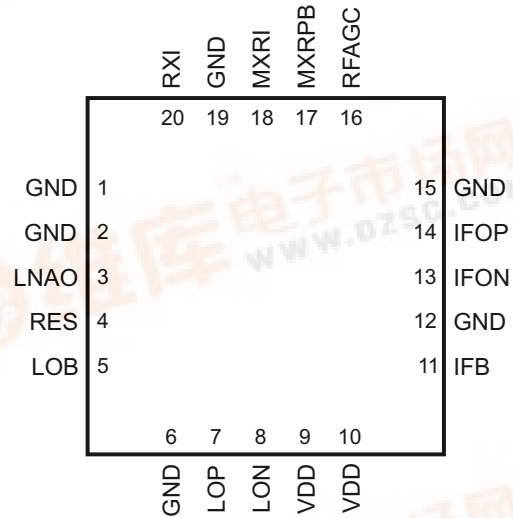
DESCRIPTION

The TRF1115 is the first of two ASICs used in the receiver section of Texas Instruments MMDS/MDS/WCS/802.16x chipset. The TRF1115 down-converts the input frequency to an IF frequency in the range of 420 MHz to 480 MHz. The device provides a differential output that passes through a SAW filter before connecting to a second down converter chip. (Note: For the best performance, the Texas Instruments TRF1112 should be used to perform both the second down conversion and provide the local oscillator for the TRF1115.)

In order to provide exceptional image rejection and extra jammer rejection, the TRF1115 offers a signal path to an off-chip filter. Specifications are provided assuming an in-band 1.5-dB loss in this filter. The TRF1115 includes a differential LO buffer, mixer, and IF amplifier for improved performance. After the filter, an on-chip balun converts the signal from single-ended to differential in order to provide better noise immunity in the mixer.

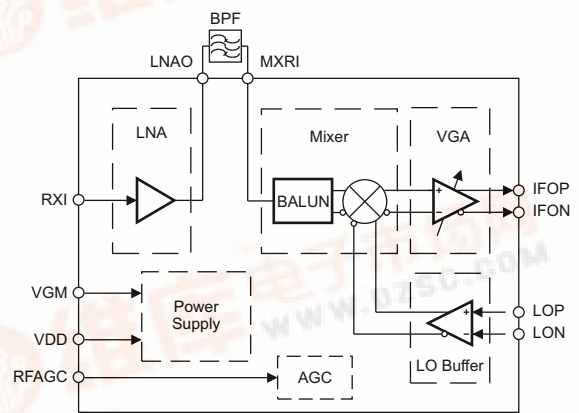
DEVICE INFORMATION

TRF1115
(TOP VIEW)



P0031-03

Figure 1. TRF1115 Pin Out



B0084-03

Figure 2. Block Diagram

ABSOLUTE MAXIMUM RATINGS

		VALUE	UNIT
VDD	Positive DC Supply Voltage, VDD	0.0 to +5.5	V
IDD	Current consumption	200	mA
Pin	RF Input Power	5	dBm
T _J	Junction Temperature	200	°C
Pd	Power Dissipation	1.1	W
	Digital Input Pins	–0.3 to 5.5	
θ _{JC}	Thermal Resistance Junction to Case ⁽¹⁾	9.1	°C/W
T _{stg}	Storage Temperature	–40 to 105	°C
T _{op}	Operating Temperature	–40 to 85	°C
	Lead Temperature (40 sec max)	260	°C

(1) Thermal resistance is junction to ambient assuming thermal pad with 16 thermal vias under package metal base. See Recommended PCB layout.

DC SPECIFICATIONS

PARAMETER		TEST CONDITIONS	MIN	TYP	MAX	UNIT
VDD	Supply Voltage			5	5.25	V
IDD	Supply Current (Total)			130	180	mA
I _{LNA}	Supply Current, LNA, pin 3			30		mA
I _{LO}	Supply Current, LO, pin 9			45		mA
I _{IF}	Supply Current, IF	Pins 10 plus IF drain bias on pins 13 and 14.		55		mA
V _C	Gain Control Voltage		0		2	V
I _C	Gain Control Current		0		1.2	mA



ELECTRICAL CHARACTERISTICS

 Unless otherwise stated VDD = 5.0 V, External Filter loss = 1.5 dB, T_A = 25°C

PARAMETER		TEST CONDITIONS	MIN	TYP	MAX	UNIT
f _{RF}	RF input frequency		2300		2700	MHz
f _{LO}	LO input frequency		1820		2220	MHz
f _{IF}	IF output frequency		400	480	500	MHz
G	Gain	V _C = 0 V	16	18		dB
	Gain control range	V _C > 1.5 V		10		dB
G _{NB}	Gaub fkatbess / 6 MHz				0.2	dB
NF _{HG}	Noise figure, high gain	V _C = 0 V		3	4	dB
NF _{LG}	Noise figure with AGC on	V _C > 1.5 V		6	7	dB
IP-1dB	Input power at 1 dB compression, high gain	V _C = 0 V, Without RF BPF	-6	-2		dBm
IP-1dB	Input power at 1 dB compression with AGC on	V _C > 1.5 V, Without RF BPF	-1	2		dBm
IIP3	Input third order intercept point, high gain	V _C = 0 V, Without RF BPF	-3	0		dBm
IIP3	Input third order intercept point with AGC on	V _C > 1.5 V, Without RF BPF	5	8		dBm
Z _{RF}	RF input impedance	Differential		50		Ω
RL _{RF}	RF input return loss	Z = 50 Ω, P _{LO} = 3 dBm, F _{RF} = 2500 to 2700 MHz	8	10		dB
Z _{LO}	LO input impedance	Differential		100		Ω
P _{LO}	LO input power	Referenced to 100 Ω differential	0	3	6	dB
RL _{LO}	LO input return loss	Differential, with external matching circuit. LO input = 3 dBm	-10	-12		dB
Z _{IF}	IF output impedance	Differential		100		Ω
RL _{IF}	IF1 output return loss	Differential, with external matching circuit	-7	-10		dB
	LO to RF leakage, differential	LO input = 3 dBm, V _C = 0 V	-35	-45		dBm
	LO to IF1 leakage, differential	LO input = 3 dBm, V _C = 0 V	-40	-50		dBm
	RF to IF1 isolation, differential	LO input = 3 dBm, V _C = 0 V	35	45		dBc
	RF to LO insolation, differential	LO input = 3 dBm, V _C = 0 V		25		dBc

TERMINAL FUNCTIONS

TERMINAL NO.	TERMINAL NAME	I/O	TYPE	DESCRIPTION
1, 2, 6, 12, 15, 19	GND			Ground
3	LNAO	O	Analog/P ower	Output of LNA, before mixer, Also provides DC bias to FET. Apply 5 V bias thru bias network.
4	RES			Reserved. Do not connect or ground this pin.
5	LOB			Not connected for normal operation. Internal bias for LO buffer. Normal voltage at this pin is 3.0 to 3.2 V. Do not ground this pin or connect.
7	LOP	I	Analog	LO input, Positive, ac coupled internally
8	LON	I	Analog	LO input, Negative, ac coupled internally
9	VDD	I	Power	DC bias for LO Buffer +5 V
10	VDD	I	Power	DC bias for IF circuit +5 V
11	IFB			Not connected for normal operation. Internal bias for IF circuitry Normal voltage at this pin is 2.8 to 3.0 V. Do not ground this pin or connect.
13	IFON	O	Analog/P ower	IF output, negative, and dc bias for IF amplifier. Apply +5 V through bias network.
14	IFOP	O	Analog/P ower	IF output, Positive, and dc bias for IF amplifier. Apply +5 V through bias network.



TERMINAL FUNCTIONS (continued)

TERMINAL		I/O	TYPE	DESCRIPTION
NO.	NAME			
16	RFAGC	I	Analog	Input voltage for gain control: $V_C = 0$ to 1.5 V Maximum gain at $V_C = 0$ V Minimum gain at $V_C = 1.5$ V
17	MXRPB			Not connected for normal operation. Internal bias for mixer circuitry. Normal voltage at this pin is 1.8 V to 2.5 V. Do not ground this pin or connect to any other pin.
18	MXRI	I	Analog	Input to RF mixer, ac coupled, 50 Ω
20	RXI	I	Analog	RF input, ac coupled, 50 Ω
Back	GND			Back of package has metal base that must be grounded for thermal and RF performance.

TYPICAL CHARACTERISTICS

TYPICAL DATA

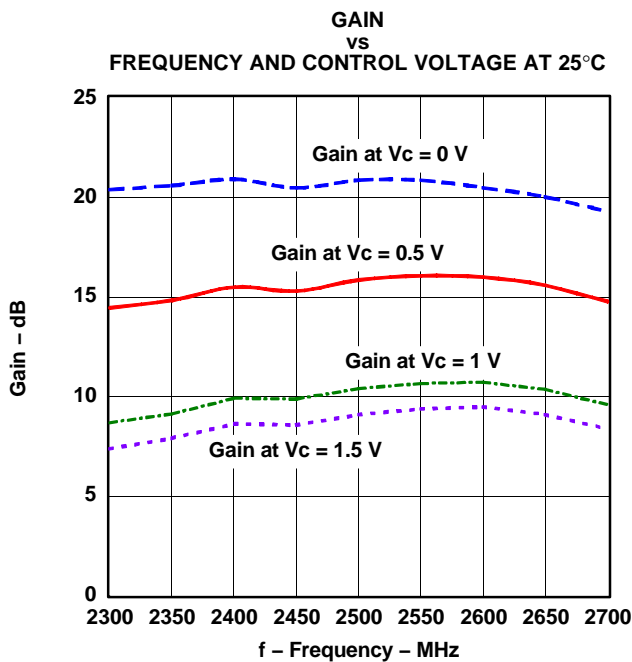


Figure 3.

G001

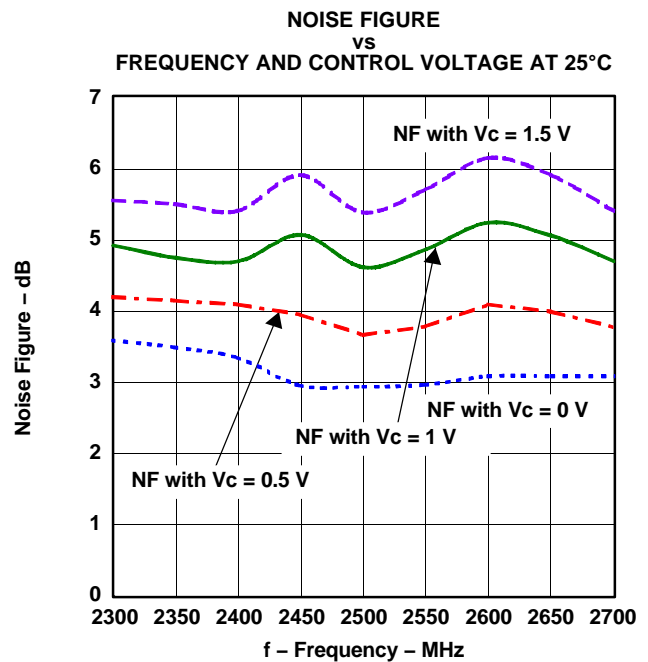


Figure 4.

G002



TYPICAL CHARACTERISTICS (continued)

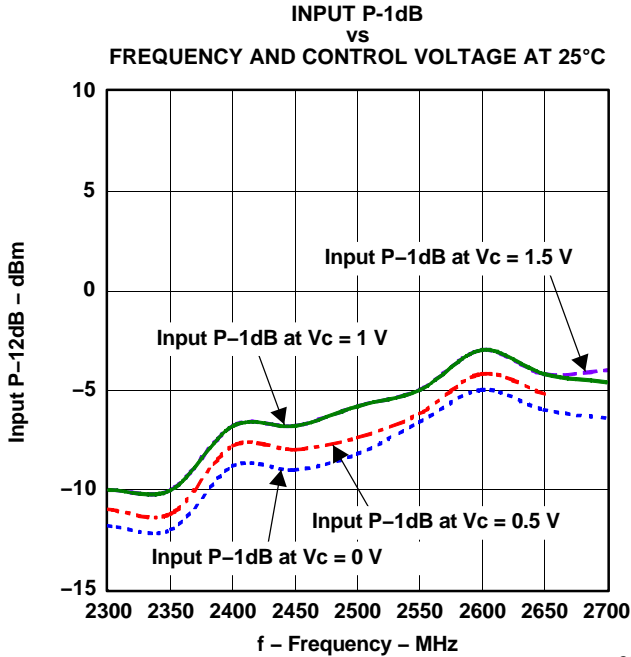


Figure 5.

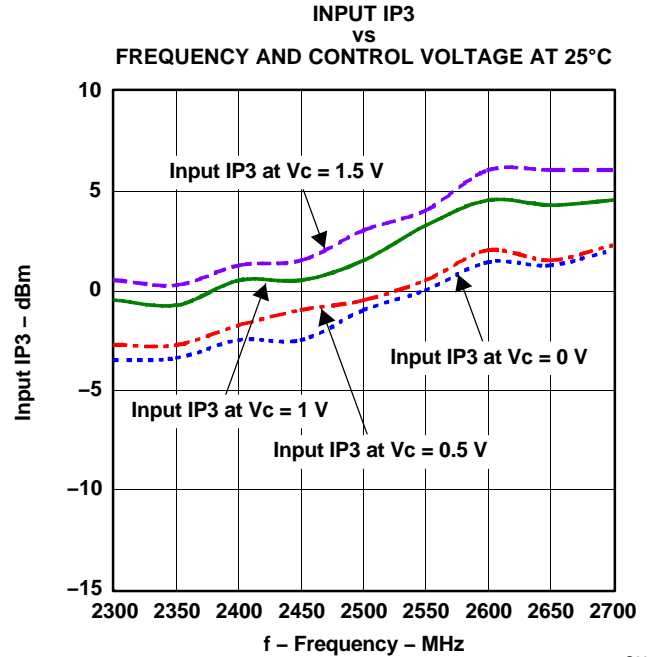


Figure 6.

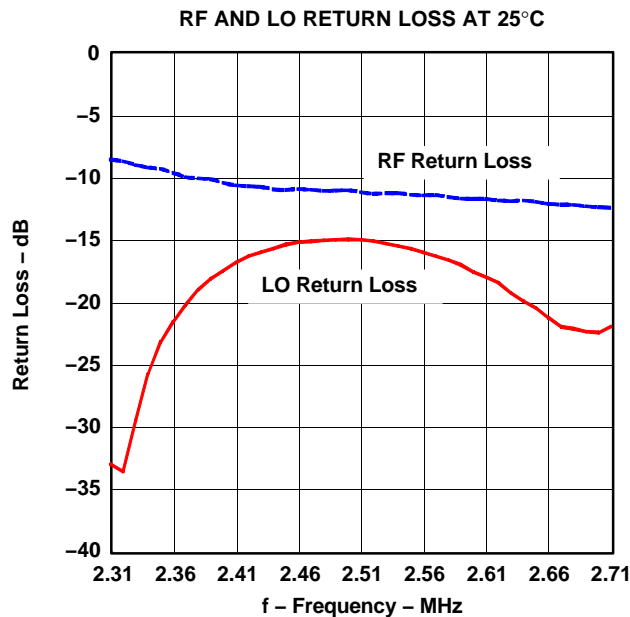
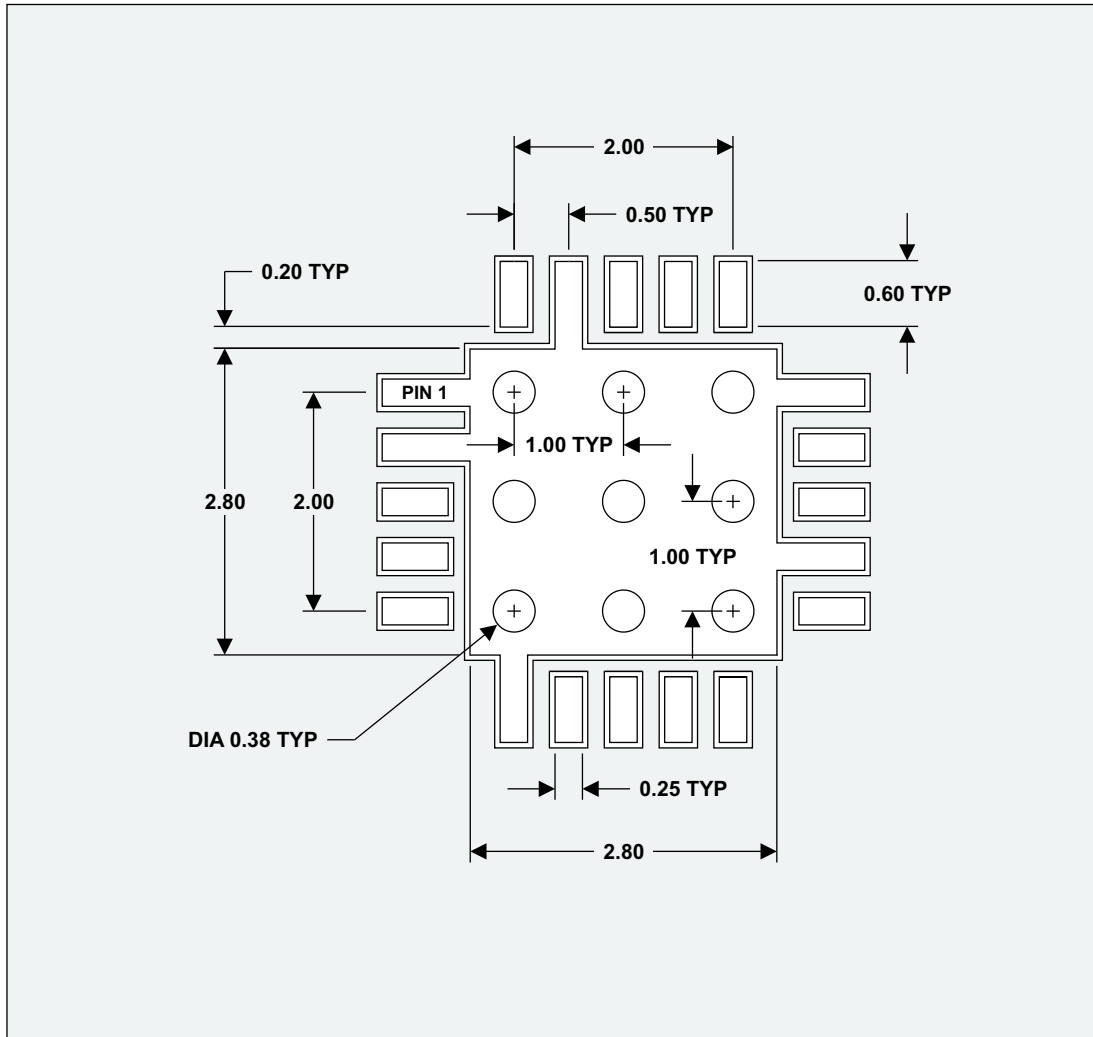


Figure 7.

RECOMMENDED PCB LAYOUT



 Solder Mask. No Solder Mask Under Chip, On Lead Pads or On Ground Connections.

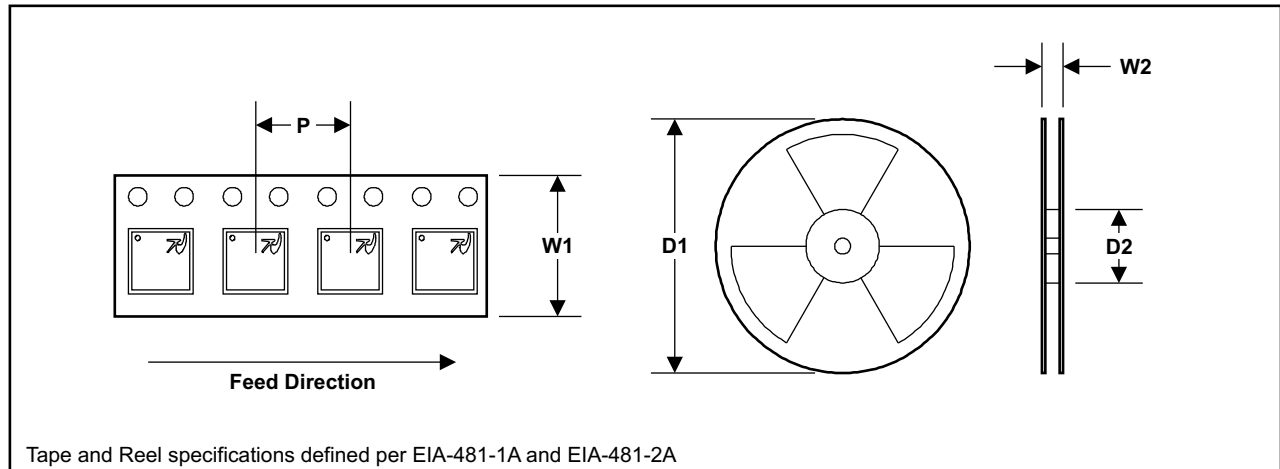
Notes: 9 Via Holes, Each 0.38 mm.
DIMENSIONS in mm

M0022-04

- A. Four layer Board, Starting material: two: 10 mil core FR4 with 1 oz copper, both sides, pressed with 8 mil thick prepreg. Via plating 1/2 oz copper plate, final plate White immersion tin. Final thickness: 0.033" to 0.037" thick.



APPLICATION INFORMATION



Tape and Reel specifications defined per EIA-481-1A and EIA-481-2A

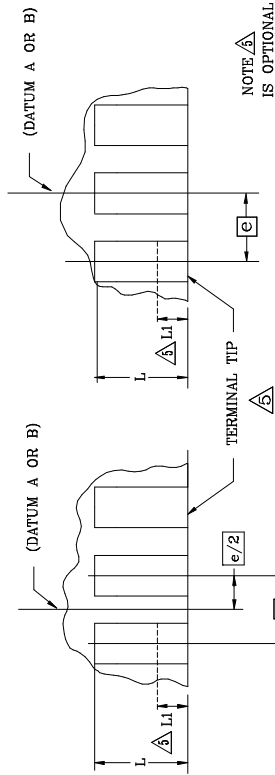
Package Description	Parts per Reel	Pitch P (mm)	Tape Width W1 (mm)	Reel Size D (inches)	Reel Width W2 (mm)	Hub Dia. D2 (mm)
4 mm x 4 mm LPCC20 Pin	5000	8	12	13	18.2	102

M0041-01

Figure 8. Tape and Reel Specification



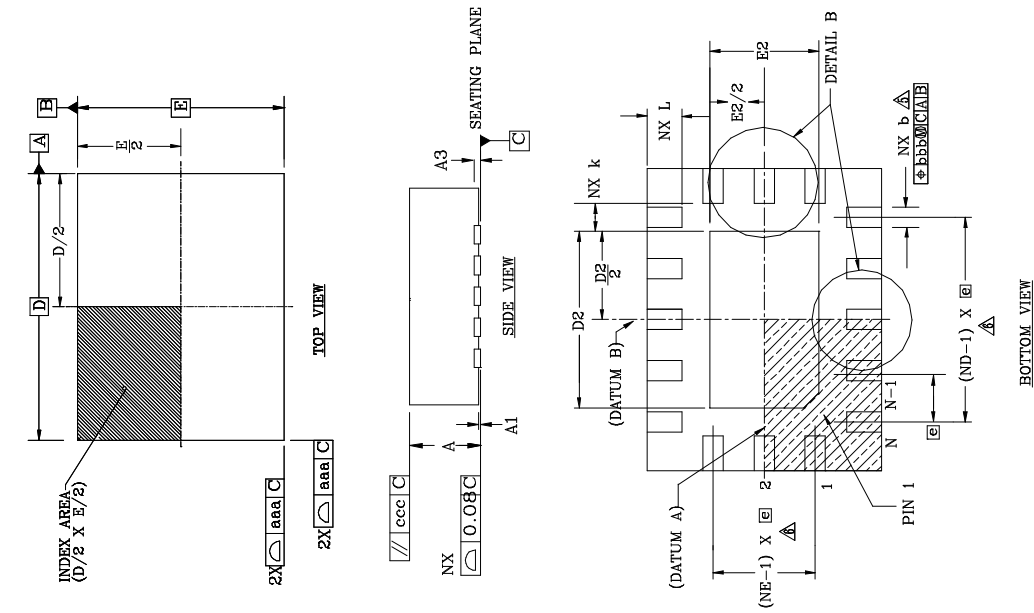
APPLICATION INFORMATION (continued)



DETAIL B

PACKAGE REF.	MIN.	NOM.	MAX.
A	0.80	0.90	1.00
b	0.225	0.250	0.275
D	3.90	4.00	4.10
D2	2.650	2.800	2.950
E	3.90	4.00	4.10
E2	2.650	2.800	2.950
e	0.50 BSC.		
L	0.35	0.40	0.45
N	20		
ND	5		
NE	5		

Δ DIMENSION b APPLIES TO METALLIZED TERMINAL AND IS MEASURED BETWEEN 0.25mm AND 0.30mm FROM TERMINAL TIP. DIMENSION L1 IS THE TERMINAL PULL BACK FROM PACKAGE EDGE. UP TO 0.1mm IS ACCEPTABLE. L1 IS OPTIONAL.
Δ ND AND NE REFER TO THE NUMBER OF TERMINAL ON EACH D AND E SIDE RESPECTIVELY.



COMMON DIMENSIONS		
MIN.	NOM.	MAX.
A1	0	0.05
A3	0.25 REF.	
k	0.20	—

TOLERANCES OF FORM AND POSITION	
aaa	0.15
bbb	0.10
ccc	0.10

NOTES:
1. DIMENSIONING AND TOLERANCING CONFORM TO ASME Y14.5M-1994.
2. ALL DIMENSIONS ARE IN MILLIMETERS. ANGLES ARE IN DEGREES.
3. N IS THE TOTAL NUMBER OF TERMINALS.
Δ THE TERMINAL #1 IDENTIFIER AND TERMINAL NUMBERING CONVENTION SHALL CONFORM TO JEDEC 95-1 SPP-012 DETAILS OF TERMINAL #1 IDENTIFIER ARE OPTIONAL, BUT MUST BE LOCATED WITHIN THE ZONE INDICATED. THE TERMINAL #1 IDENTIFIER MAY BE EITHER A MOLD OR MARKED FEATURE.

Figure 9. Package Outline: 4 mm x 4 mm LCC 20-Pin Leadless Package



PACKAGING INFORMATION

Orderable Device	Status ⁽¹⁾	Package Type	Package Drawing	Pins	Package Qty	Eco Plan ⁽²⁾	Lead/Ball Finish	MSL Peak Temp ⁽³⁾
TRF1115IRGPR	ACTIVE	QFN	RGP	20	2500	Green (RoHS & no Sb/Br)	CU SN	Level-3-260C-168 HR
TRF1115IRGPRG3	ACTIVE	QFN	RGP	20	2500	TBD	Call TI	Call TI
TRF1115IRGPT	ACTIVE	QFN	RGP	20	250	Green (RoHS & no Sb/Br)	CU SN	Level-3-260C-168 HR
TRF1115IRGPTG3	ACTIVE	QFN	RGP	20	250	TBD	Call TI	Call TI

⁽¹⁾ The marketing status values are defined as follows:

ACTIVE: Product device recommended for new designs.

LIFEBUY: TI has announced that the device will be discontinued, and a lifetime-buy period is in effect.

NRND: Not recommended for new designs. Device is in production to support existing customers, but TI does not recommend using this part in a new design.

PREVIEW: Device has been announced but is not in production. Samples may or may not be available.

OBSOLETE: TI has discontinued the production of the device.

⁽²⁾ Eco Plan - The planned eco-friendly classification: Pb-Free (RoHS), Pb-Free (RoHS Exempt), or Green (RoHS & no Sb/Br) - please check <http://www.ti.com/productcontent> for the latest availability information and additional product content details.

TBD: The Pb-Free/Green conversion plan has not been defined.

Pb-Free (RoHS): TI's terms "Lead-Free" or "Pb-Free" mean semiconductor products that are compatible with the current RoHS requirements for all 6 substances, including the requirement that lead not exceed 0.1% by weight in homogeneous materials. Where designed to be soldered at high temperatures, TI Pb-Free products are suitable for use in specified lead-free processes.

Pb-Free (RoHS Exempt): This component has a RoHS exemption for either 1) lead-based flip-chip solder bumps used between the die and package, or 2) lead-based die adhesive used between the die and leadframe. The component is otherwise considered Pb-Free (RoHS compatible) as defined above.

Green (RoHS & no Sb/Br): TI defines "Green" to mean Pb-Free (RoHS compatible), and free of Bromine (Br) and Antimony (Sb) based flame retardants (Br or Sb do not exceed 0.1% by weight in homogeneous material)

⁽³⁾ MSL, Peak Temp. -- The Moisture Sensitivity Level rating according to the JEDEC industry standard classifications, and peak solder temperature.

Important Information and Disclaimer:The information provided on this page represents TI's knowledge and belief as of the date that it is provided. TI bases its knowledge and belief on information provided by third parties, and makes no representation or warranty as to the accuracy of such information. Efforts are underway to better integrate information from third parties. TI has taken and continues to take reasonable steps to provide representative and accurate information but may not have conducted destructive testing or chemical analysis on incoming materials and chemicals. TI and TI suppliers consider certain information to be proprietary, and thus CAS numbers and other limited information may not be available for release.

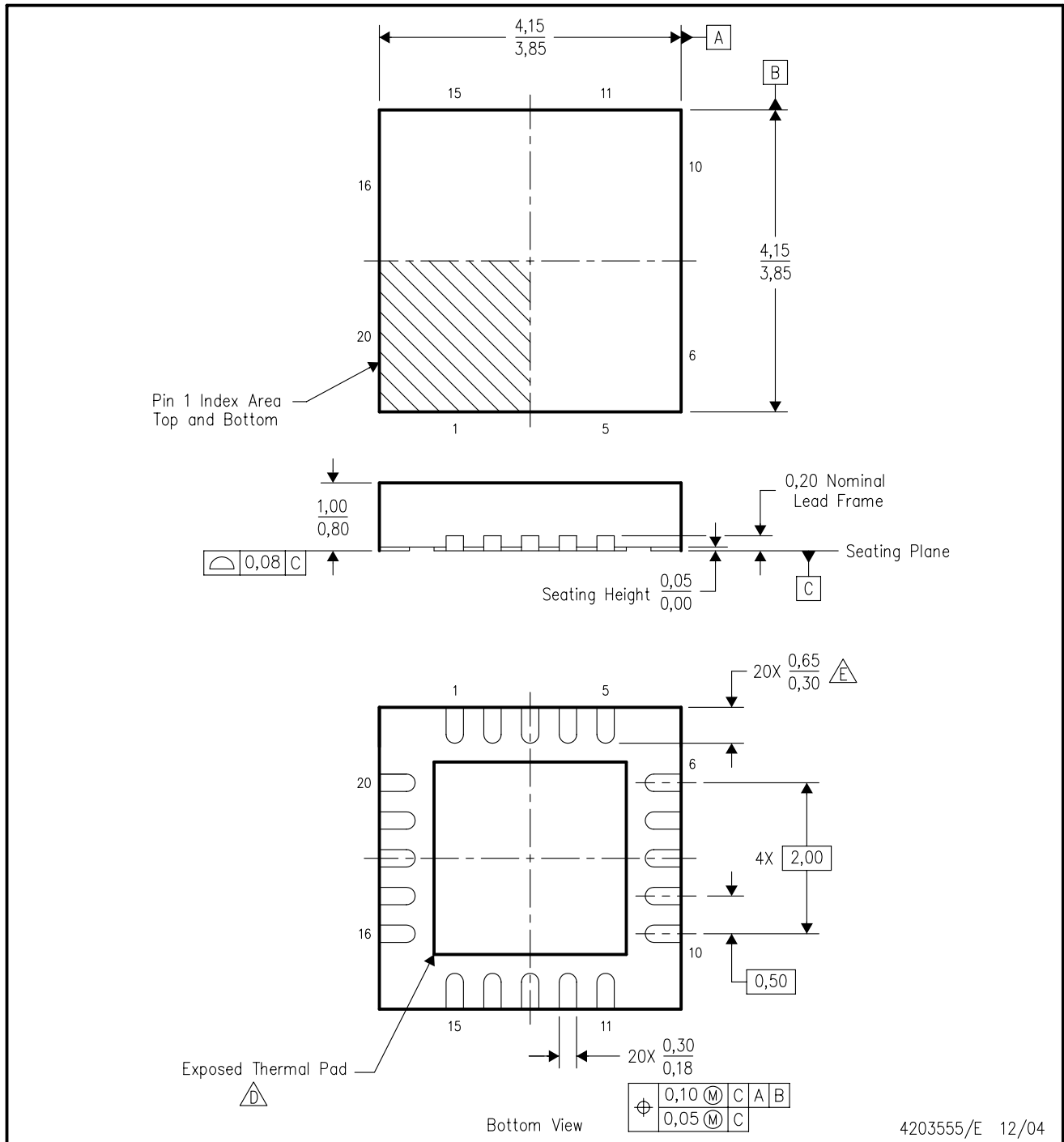
In no event shall TI's liability arising out of such information exceed the total purchase price of the TI part(s) at issue in this document sold by TI to Customer on an annual basis.



MECHANICAL DATA

RGP (S-PQFP-N20)

PLASTIC QUAD FLATPACK



4203555/E 12/04

- NOTES:
- A. All linear dimensions are in millimeters. Dimensioning and tolerancing per ASME Y14.5M-1994.
 - B. This drawing is subject to change without notice.
 - C. QFN (Quad Flatpack No-Lead) package configuration.
 - The package thermal pad must be soldered to the board for thermal and mechanical performance. See the Product Data Sheet for details regarding the exposed thermal pad dimensions.
 - Check thermal pad mechanical drawing in the product datasheet for nominal lead length dimensions.



IMPORTANT NOTICE

Texas Instruments Incorporated and its subsidiaries (TI) reserve the right to make corrections, modifications, enhancements, improvements, and other changes to its products and services at any time and to discontinue any product or service without notice. Customers should obtain the latest relevant information before placing orders and should verify that such information is current and complete. All products are sold subject to TI's terms and conditions of sale supplied at the time of order acknowledgment.

TI warrants performance of its hardware products to the specifications applicable at the time of sale in accordance with TI's standard warranty. Testing and other quality control techniques are used to the extent TI deems necessary to support this warranty. Except where mandated by government requirements, testing of all parameters of each product is not necessarily performed.

TI assumes no liability for applications assistance or customer product design. Customers are responsible for their products and applications using TI components. To minimize the risks associated with customer products and applications, customers should provide adequate design and operating safeguards.

TI does not warrant or represent that any license, either express or implied, is granted under any TI patent right, copyright, mask work right, or other TI intellectual property right relating to any combination, machine, or process in which TI products or services are used. Information published by TI regarding third-party products or services does not constitute a license from TI to use such products or services or a warranty or endorsement thereof. Use of such information may require a license from a third party under the patents or other intellectual property of the third party, or a license from TI under the patents or other intellectual property of TI.

Reproduction of information in TI data books or data sheets is permissible only if reproduction is without alteration and is accompanied by all associated warranties, conditions, limitations, and notices. Reproduction of this information with alteration is an unfair and deceptive business practice. TI is not responsible or liable for such altered documentation.

Resale of TI products or services with statements different from or beyond the parameters stated by TI for that product or service voids all express and any implied warranties for the associated TI product or service and is an unfair and deceptive business practice. TI is not responsible or liable for any such statements.

Following are URLs where you can obtain information on other Texas Instruments products and application solutions:

Products		Applications	
Amplifiers	amplifier.ti.com	Audio	www.ti.com/audio
Data Converters	dataconverter.ti.com	Automotive	www.ti.com/automotive
DSP	dsp.ti.com	Broadband	www.ti.com/broadband
Interface	interface.ti.com	Digital Control	www.ti.com/digitalcontrol
Logic	logic.ti.com	Military	www.ti.com/military
Power Mgmt	power.ti.com	Optical Networking	www.ti.com/opticalnetwork
Microcontrollers	microcontroller.ti.com	Security	www.ti.com/security
		Telephony	www.ti.com/telephony
		Video & Imaging	www.ti.com/video
		Wireless	www.ti.com/wireless

Mailing Address: Texas Instruments
Post Office Box 655303 Dallas, Texas 75265

