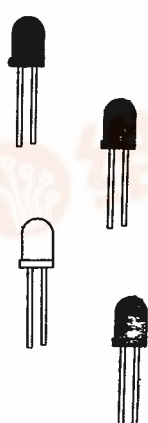
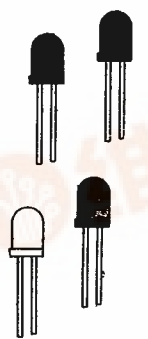


LED

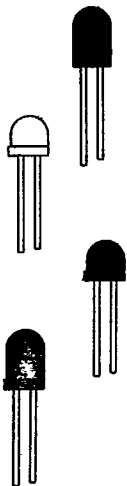
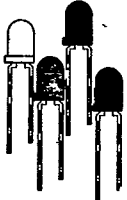
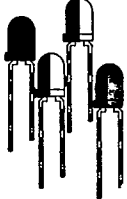
56 DE 7629948 0000440 5

Package Type	Part Number	Lens Description	Viewing Angle (Typ.)	Luminous Intensity (Typ.) mcd	Peak Wavelength (Typ.) nm	V _F @ 20 mA (Typ.) V	I _F Max. (mA)	Pkg. Dim. Fig.
T 1/4 1800 SERIES Long Dome 1" Leads 	LED 1811	RED DIFFUSED	65°	1.5	655	1.7	50	3
	LED 1811G	RED DIFFUSED	65°	1.5	700	2.0*	50	3
	LED 1821	GREEN DIFFUSED	65°	1.5	555	2.0*	50	3
	LED 1831	YELLOW DIFFUSED	65°	1.5	585	2.0*	50	3
	LED 1841	ORANGE DIFFUSED	65°	1.5	635	2.0*	50	3
	LED 1841R	RED DIFFUSED (orange chip)	65°	1.5	635	2.0*	50	3
	LED 1812	CLEAR DIFF RED	65°	1.5	655	1.7	50	3
	LED 1812G	CLEAR DIFF RED	65°	1.5	700	2.0*	50	3
	LED 1822	CLEAR DIFF GREEN	65°	1.5	555	2.0*	50	3
	LED 1832	CLR DIFF YELLOW	65°	1.5	585	2.0*	50	3
	LED 1842	CLR DIFF ORANGE	65°	1.5	635	2.0*	50	3
	LED 1842R	CLEAR DIFF RED	65°	1.5	635	2.0*	50	3
	LED 1813	WATER CLEAR RED	24°	1.6	655	1.7	50	3
	LED 1813G	WATER CLEAR RED	24°	1.6	700	2.0*	50	3
	LED 1823	WATER CLR GREEN	24°	1.6	555	2.0*	50	3
	LED 1833	WTR CLR YELLOW	24°	1.6	585	2.0*	50	3
	LED 1843	WTR CLR ORANGE	24°	1.6	635	2.0*	50	3
	LED 1843R	WATER CLEAR RED	24°	1.6	635	2.0*	50	3
	LED 1814	RED CLEAR	28°	1.6	655	1.7	50	3
	LED 1814G	RED CLEAR	28°	1.6	700	2.0*	50	3
LED 1824	GREEN CLEAR	28°	1.6	555	2.0*	50	3	
LED 1834	YELLOW CLEAR	28°	1.6	585	2.0*	50	3	
LED 1844	ORANGE CLEAR	28°	1.6	635	2.0*	50	3	
LED 1844R	RED CLEAR	28°	1.6	635	2.0*	50	3	
T 1/4 SDL SERIES Long Dome Wire Wrap Leads 	SDL-5L	RED DIFFUSED	65°	1.5	655	1.7	50	4
	SDL-7L	RED DIFFUSED	65°	1.5	700	2.0*	50	4
	SDL-17L	GREEN	65°	1.5	555	2.0*	50	4
	SDL-37L	YELLOW	65°	1.5	585	2.0*	50	4
	SDL-57L	ORANGE	65°	1.5	635	2.0*	50	4
	SDL-47L	RED DIFFUSED (orange chip)	65°	1.5	635	2.0*	50	4
	SDL-5L-2	CLEAR DIFF RED	65°	1.5	655	1.7	50	4
	SDL-7L-2	CLEAR DIFF RED	65°	1.5	700	2.0*	50	4
	SDL-17L-2	CLEAR DIFF GREEN	65°	1.5	555	2.0*	50	4
	SDL-37L-2	CLR DIFF YELLOW	65°	1.5	585	2.0*	50	4
	SDL-57L-2	CLR DIFF ORANGE	65°	1.5	635	2.0*	50	4
	SDL-5L-3	WATER CLEAR RED	24°	1.6	655	1.7	50	4
	SDL-7L-3	WATER CLEAR RED	24°	1.6	700	2.0*	50	4
	SDL-17L-3	WATER CLR GREEN	24°	1.6	555	2.0*	50	4
	SDL-37L-3	WTR CLR YELLOW	24°	1.6	585	2.0*	50	4
	SDL-57L-3	WTR CLR ORANGE	24°	1.6	635	2.0*	50	4
	SDL-5L-1	RED CLEAR	28°	1.6	655	1.7	50	4
	SDL-7L-1	RED CLEAR	28°	1.6	700	2.0*	50	4
	SDL-17L-1	GREEN CLEAR	28°	1.6	555	2.0*	50	4
	SDL-37L-1	YELLOW CLEAR	28°	1.6	585	2.0*	50	4
SDL-57L-1	ORANGE CLEAR	28°	1.6	635	2.0*	50	4	
SDL-47L-1	RED CLEAR	28°	1.6	635	2.0*	50	4	

LED

56 DE 7629948 0000441 7

T-41-25

Package Type	Part Number	Lens Description	Viewing Angle (Typ.)	Luminous Intensity (Typ.) mcd	Peak Wavelength (Typ.) nm	V _F @ 20 mA (Typ.) V	I _F Max. (mA)	Pkg. Dim. Fig.
T 1 OPL SERIES 	OPL-209A	RED DIFFUSED	150°	1.0	690	2.2	50	5
	OPL-1209A	RED DIFFUSED	150°	1.0	690	2.2	50	6
	OPL-409	RED DIFFUSED	150°	2.0	635	2.5	50	5
	OPL-1409	RED DIFFUSED	150°	2.0	635	2.5	50	6
	OPL-309	RED DIFFUSED	150°	1.0	635	2.5	50	7
	OPL-211	GREEN DIFFUSED	150°	1.0	565	2.5	50	5
	OPL-1211	GREEN DIFFUSED	150°	1.0	565	2.5	50	6
	OPL-311	GREEN DIFFUSED	150°	1.0	565	2.5	50	7
	OPL-213	YELLOW DIFFUSED	150°	2.0	585	2.5	50	5
	OPL-1213	YELLOW DIFFUSED	150°	2.0	585	2.5	50	6
	OPL-312	YELLOW DIFFUSED	150°	2.0	585	2.5	50	7
	OPL-270	RED DIFFUSED	80°	3.0	690	2.1*	50	5
	OPL-1270	RED DIFFUSED	80°	3.0	690	2.1*	50	6
	OPL-470	RED DIFFUSED	80°	4.0	635	2.5	50	5
OPL-1470	RED DIFFUSED	80°	4.0	635	2.5	50	6	
OPL-271	GREEN DIFFUSED	80°	2.5	565	2.5	50	5	
OPL-1271	GREEN DIFFUSED	80°	2.5	565	2.5	50	6	
OPL-273	YELLOW DIFFUSED	80°	4.0	585	2.5	50	5	
OPL-1273	YELLOW DIFFUSED	80°	4.0	585	2.5	50	6	
OPL-509	ORANGE DIFFUSED	150°	2.0	610	2.5	50	5	
OPL-570	ORANGE DIFFUSED	80°	4.0	610	2.5	50	5	
T 1 OPL-72 SERIES Long Leads 	OPL-71	GREEN DIFFUSED	80°	2.5	565	2.5	50	8
	OPL-72	RED DIFFUSED	80°	4.0	635	2.5	50	8
	OPL-73	YELLOW DIFFUSED	80°	4.0	585	2.2	50	8
	OPL-74	SOFT ORANGE	80°	4.0	600	2.2	50	8
T 1 OPL SERIES Bi-Color 	OPL-700	RED/RED	80°	1.0	690/690	2.2	40	8
	OPL-710	GREEN/RED	80°	1.0	565/690	2.5	40	8
	OPL-711	GREEN/GREEN	80°	2.0	565/565	2.5	40	8
	OPL-712	GREEN/ORANGE	80°	2.0	565/635	2.5	40	8
	OPL-713	GREEN/YELLOW	80°	2.0	565/585	2.5	40	8
	OPL-722	ORANGE/ORANGE	80°	2.0	635/635	2.5	40	8
	OPL-733	YELLOW/YELLOW	80°	2.0	585/585	2.5	40	8
	OPL-743	RED/YELLOW	80°	2.0	635/585	2.5	40	8

*@ 10mA

LED LAMPS LED LAMPS LED LAMPS LED LAMPS LED LAMPS LED LAMPS LED LAMPS LED LAMPS

mm (in.)

Figure 1

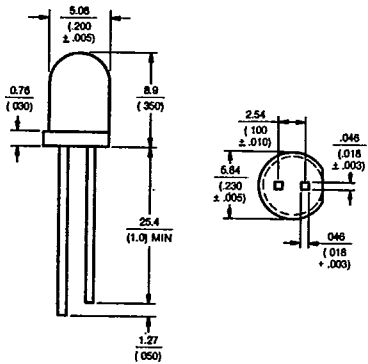


Figure 2

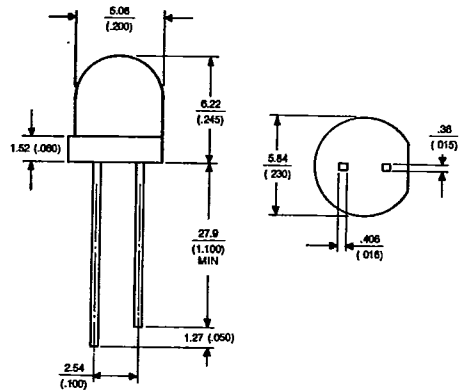


Figure 3

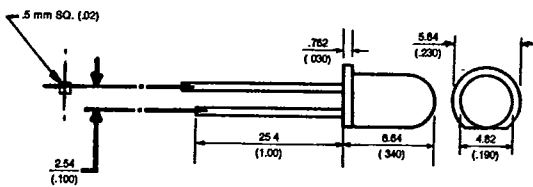


Figure 4

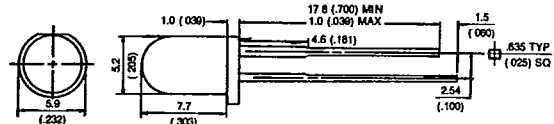


Figure 5

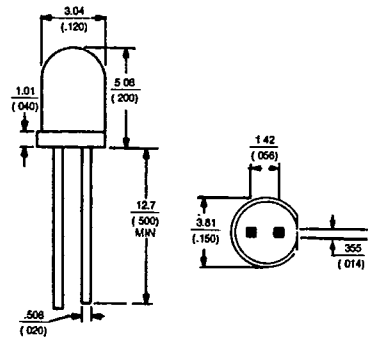


Figure 6

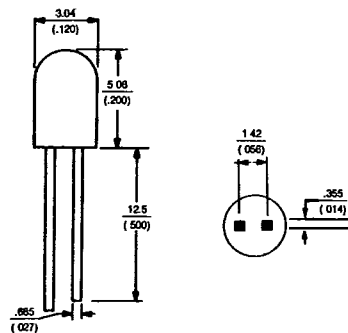


Figure 7

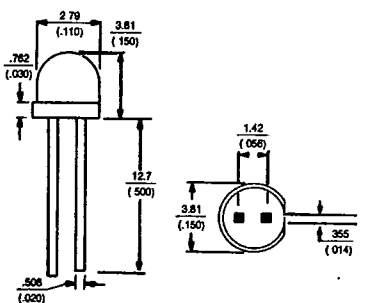
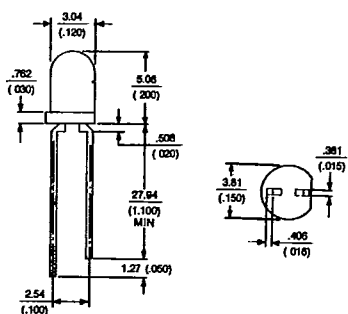


Figure 8



DIMENSIONS DIMENSIONS DIMENSIONS DIMENSIONS DIMENSIONS DIMENSIONS DIMENSIONS DIMENSIONS