

HA11732

T-77-17

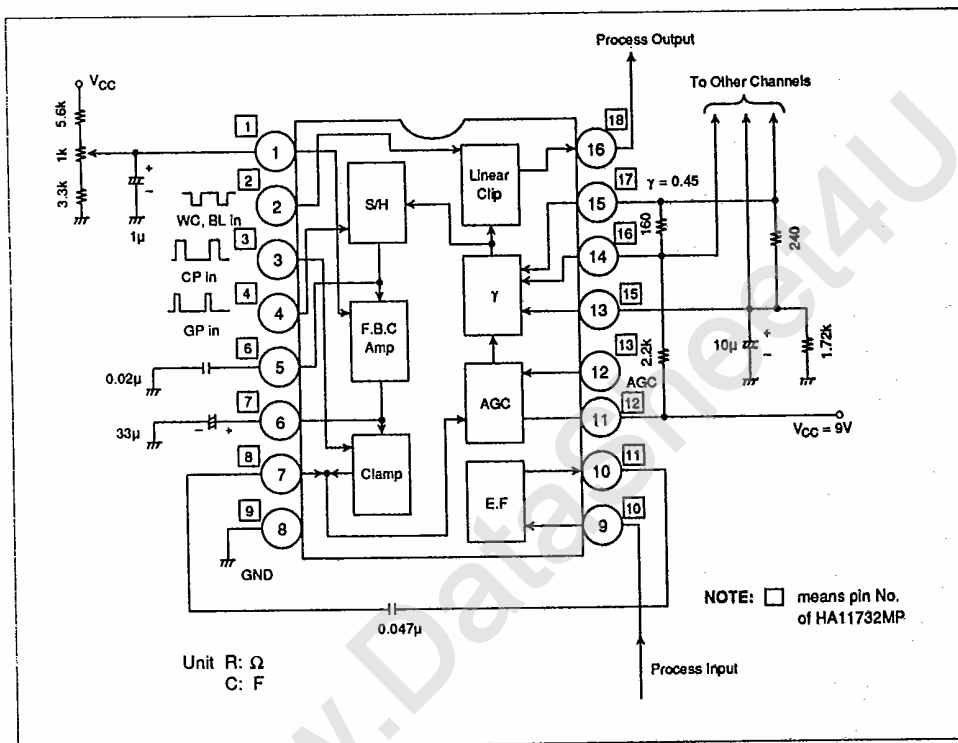
Processor for Video Cameras

HA11732 provides γ correction for the video signal amplified by the preamp, blanking, white clip and black clip.

Features

- Applicable in a wide range of systems, including frequency separation type cameras
- Feedback clamp circuitry ensures stable black levels
- γ can be adjusted within the range of 0.45 to 1.0 by changing terminal voltage
- High pulse input terminal impedance for superior driving

Block Diagram



HA11732

T-77-17

Absolute Maximum Ratings

Item	Symbol	Rating	Unit
Supply Voltage	V_{CC}	12	V
Input Voltage	Pins 1, 2, 3, 4, 12	V_{IN}	-0.3 to $V_{CC}+0.3$
	Pins 13, 14, 15		-0.3 to +7
Power Dissipation*	P_T	550	mW
Operating Temperature	T_{opr}	-20 to +80	°C
Storage Temperature	T_{stg}	-40 to +125	°C

* Value at $T_a = 70^\circ\text{C}$

Electrical Characteristics ($V_{CC} = 9\text{V}$, $T_a = 25^\circ\text{C}$)

Item	Symbol	Min	Typ	Max	Unit	Test Conditions
Supply Current	I_{CC}	10.7	15.4	22.4	mA	$V_{CC} = 9\text{V}$
Voltage Gain	G_V	4.5	6	7.5	dB	$\gamma = 1$, $V_{AGC} = V_{CC}$, for rated output voltage
AGC Variable Range	ΔG_{AGC}	6	7	8	dB	$\gamma = 1$, $V_{AGC} = 0\text{V} \& V_{CC}$
γ Deviation	$\Delta\gamma$	—	—	± 1.5	%	$\gamma = 0.45$
DC Output Voltage	$E_O(\text{DC})$	3.35	3.5	3.65	V	$V_2 = 0\text{V}$, $V_{13} = 3.5\text{V}$
Output Impedance	Z_O	—	150	320	Ω	
FBC Amplifier Gain	G_{V3}	23	28	32	dB	
γ Value Variable Range	γ	0.45	—	1		

Ordering Information

Type No.	Package
HA11732	DP-16
HA11732MP	MP-18

