

M5621

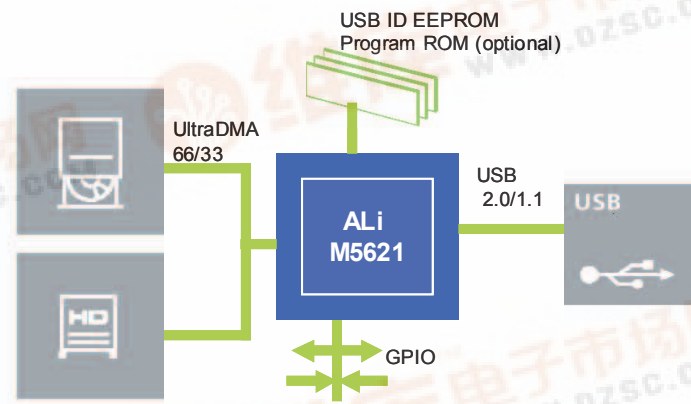
ALi High-Speed USB2.0 IDE Device Controller



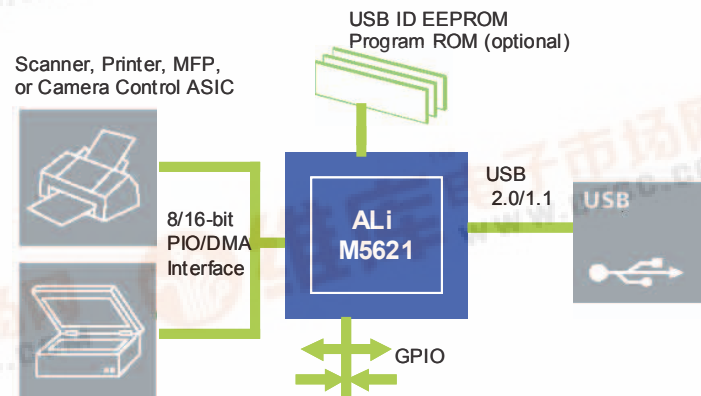
- High-Speed USB2.0 Compliant
- USB2.0-to-IDE Interface Controller
- PIO/DMA-based Device Controller
- Built-in MCU & GPIO Control
- USB ID EEPROM & Ext. Program ROM Support
- Built-in Clock Synthesizer
- 100/64-pin TQFP package

ALi's M5621 presents a highly-integrated solution for an USB-based peripheral applications, with ALi's design expertise in SOC peripheral development and extensive know-how in interface and multimedia application.

Through the highly flexible features and programmable capabilities to support standalone USB interface bridge application or work with external controller or ISA-based Device CPU for customized solution, M5621 is fully capable of achieving a most compact and yet cost-effective solution for varieties of high-speed peripheral system to meet both the customers' requirements and the end-users' need.



Functional Block Diagrams



M5621

ALi High-Speed USB2.0 IDE Device Controller

Features :

- High-Speed USB2.0 Compliant with built-in high/full-speed transceiver, SIE&UBL
- Supports User-Configurable Endpoints for bulk, interrupt, control transfers to allow bulk-transfer-based device operation for IDE storage device, scanner, printer, camera or multi-function peripherals
- Built-in USB2.0-to-IDE Interface Controller with general IDE interface & bulk-only transport of USB mass storage class support upto UDMA66 for storage devices as DVD/CD-ROM, CD-R/W, Hard-Disk and Compact Flash device, etc.
- Built-in PIO/DMA-based Device Controller with industry-standard 8/16-bit PIO/DMA & Multi-word DMA supported for standard MCU/DCPU operation
- Configurable Standalone UTMI-compliant USB2.0 PHY Operation Supported
- Built-in High-performance Micro-controller Engine for interface & multi-functional control
- Support Ext. USB ID EEPROM, Ext. Program ROM & GPIOs Control
- Built-in Clock Synthesizer for using low-cost 12Mhz crystal or external 12Mhz clock sources
- 100-pin TQFP or 64-pin TQFP package
- OS System Platform Supported, including WindowsXP/2000/Me/98SE & Mac, etc.

ALi Corporation

2F, No.246, Nei Hu Road,
Sec.1, 114 Taipei, Taiwan
Tel: +886-2-8752-2000
Fax: +886-2-8751-1003
<http://www.ali.com.tw>



ALi Microelectronics Corporation, USA

525, East Brokaw Road,
San Jose, CA, 95112 USA.
Tel: +1-408-452-4900
Fax: +1-408-452-4935
<http://www.aliusa.com>

