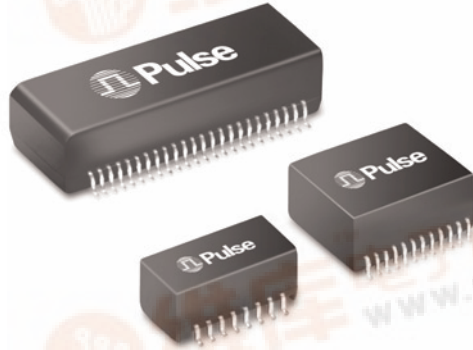







# 10/100BASE-TX VOICE OVER IP MAGNETICS MODULES



-  IEEE 802.3af/ANSI X3.263 compliant performance
-  350 mA current capability
-  Designed for IP phone or switch applications
-  Compact footprint
-  Some models offer AutoMDIX capability

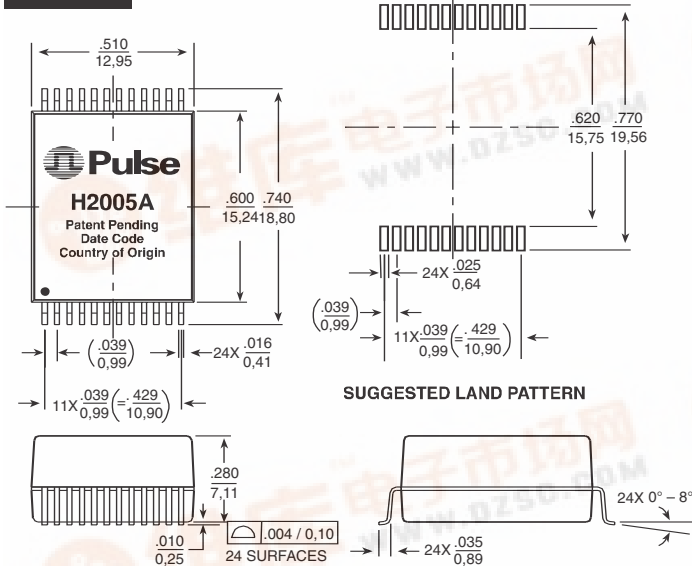
## Electrical Specifications @ 25°C — Operating Temperature 0°C to 70°C

Part Number	Ports	Insertion Loss (dB MAX)	Return Loss (dB MIN @ 100 Ω)					Differential to Common Mode Rejection (dB MIN)				Crosstalk (dB MIN)			Hipot (Vrms MIN)	DC Resistance Balance ≤ (%)
			1-100 MHz	1-30 MHz	40 MHz	50 MHz	60-80 MHz	30 MHz	60 MHz	100 MHz	30 MHz	60 MHz	100 MHz			
H2019	1	-1.2	-16	-14	-13	-12	-43	-37	-33	-45	-40	-35	1500	3.5		
H2005A	2	-1.2	-16	-14	-13	-12	-50	-43	-35	-43	-37	-33	1500	3.5		
H2006A	2	-1.2	-16	-14	-13	-12	-43	-37	-33	-43	-37	-31	1500	3.5		
H2008	2	-1.2	-16	-14	-13	-12	-40	-35	-30	-43	-37	-33	1500	3.5		
H2009*	2	-1.1	-16	-14	-13	-12	-43	-37	-33	-43	-37	-33	1500	3.5		
H2014	4	-1.2	-16	-14	-13	-12	-43	-37	-33	-45	-40	-35	1500	3.5		

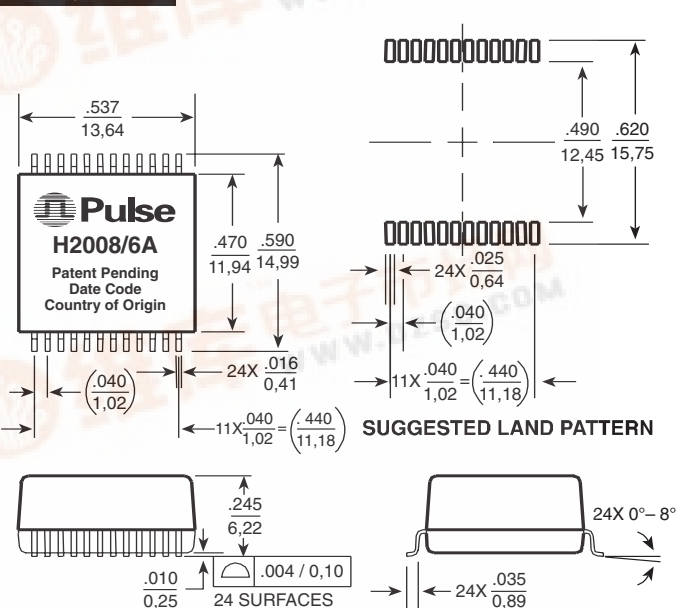
\*Suitable for Auto MDIX applications.

## Mechanicals

### H2005A



### H2006A, H2008



Weight ..... 2.7 grams  
Tape & Reel ..... 300/reel  
Tube ..... 25/tube

Dimensions:  $\frac{\text{Inches}}{\text{mm}}$  Unless otherwise specified, all tolerances are  $\pm \frac{.010}{0.25}$

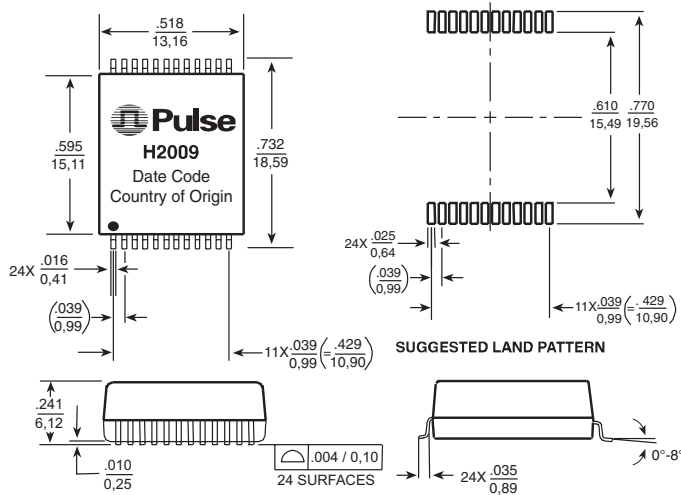
Weight ..... 2.4 grams  
Tape & Reel ..... 350/reel  
Tube ..... 35/tube

# 10/100BASE-TX VOICE OVER IP MAGNETICS MODULES

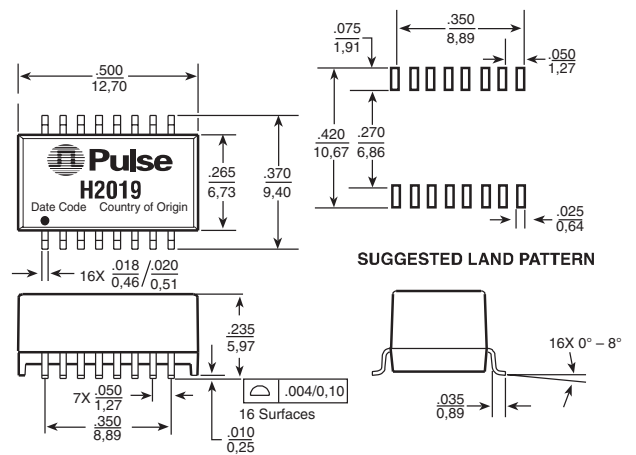


## Mechanicals (continued)

### H2009



### H2019

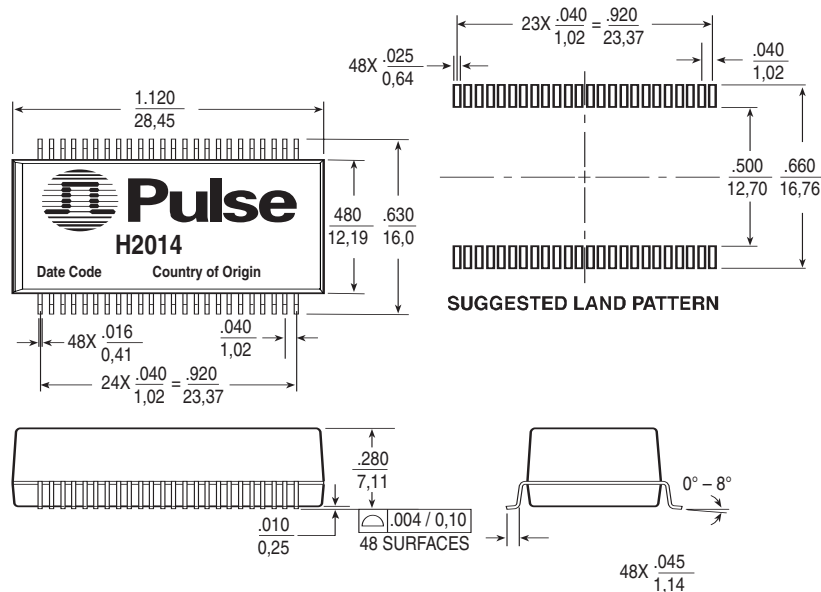


Weight . . . . . 1.6 grams  
Tape & Reel . . . . . 300/reel  
Tube . . . . . 35/tube

Dimensions:  $\frac{\text{Inches}}{\text{mm}}$  Unless otherwise specified, all tolerances are  $\pm \frac{.010}{0,25}$

Weight . . . . . 1.0 grams  
Tape & Reel . . . . . 600/reel  
Tube . . . . . 45/tube

### H2014



Dimensions:  $\frac{\text{Inches}}{\text{mm}}$  Unless otherwise specified, all tolerances are  $\pm \frac{.010}{0,25}$

Weight . . . . . 5.0 grams  
Tape & Reel . . . . . 250 /reel  
Tube . . . . . 15/tube

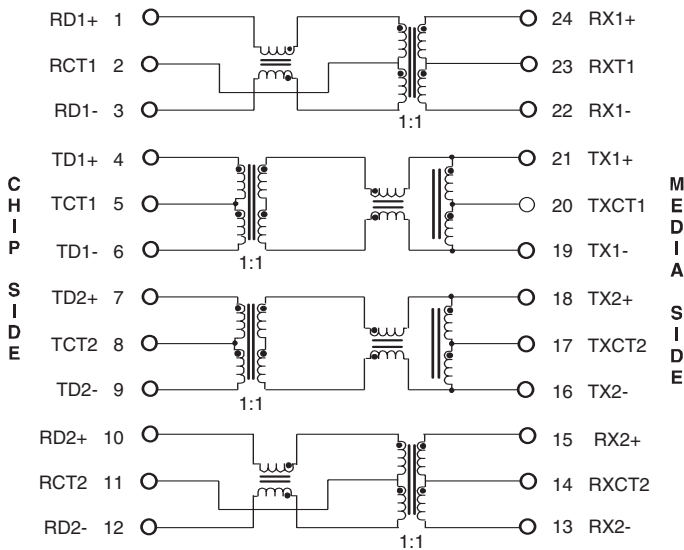


# 10/100BASE-TX VOICE OVER IP MAGNETICS MODULES

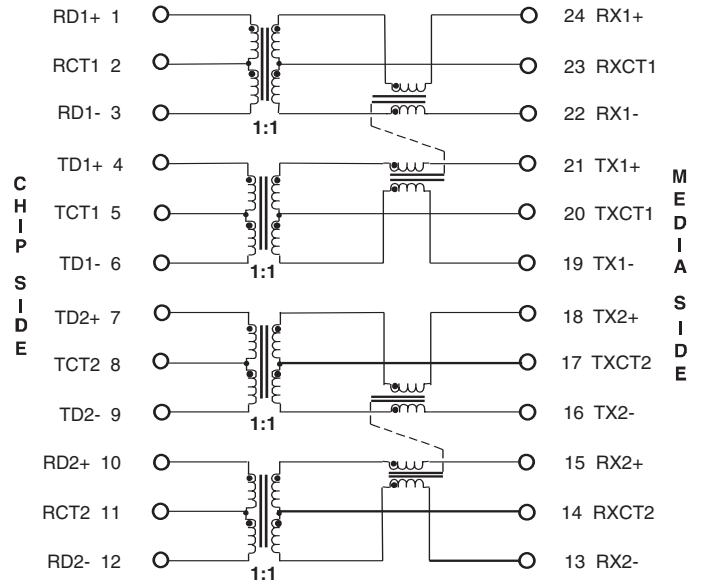


## Schematics

**H2005A**

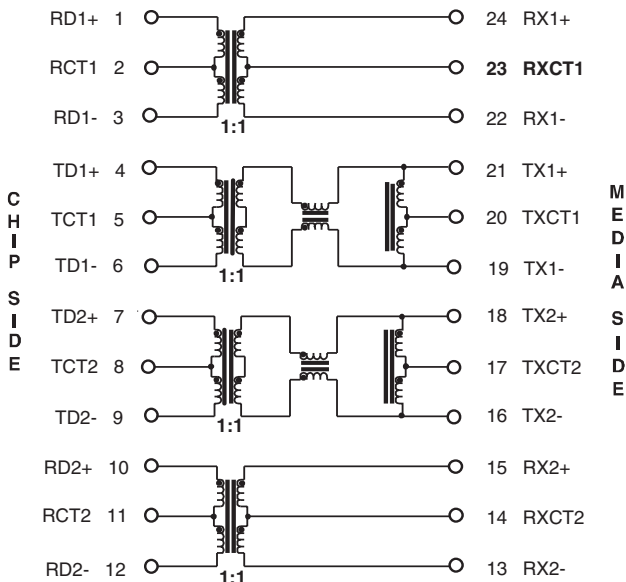


**H2006A**

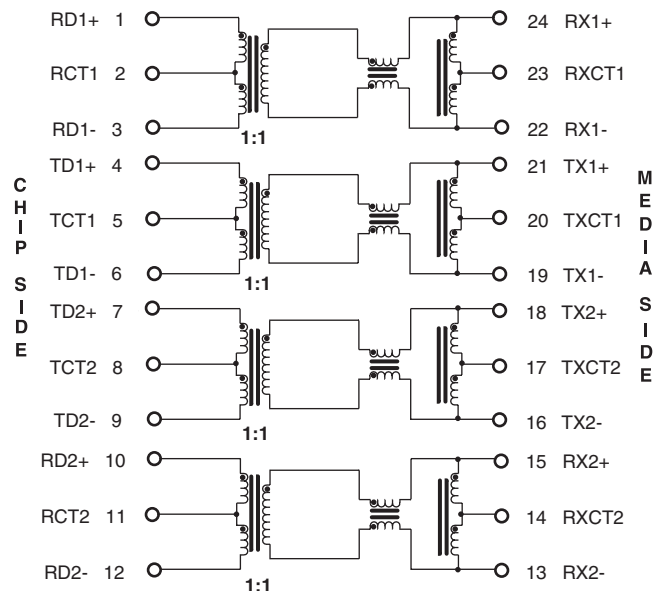


**NOTE:** The H2006A is suitable for AutoMDIX applications.

**H2008**



**H2009**



**NOTE:** The H2009 is suitable for AutoMDIX applications.



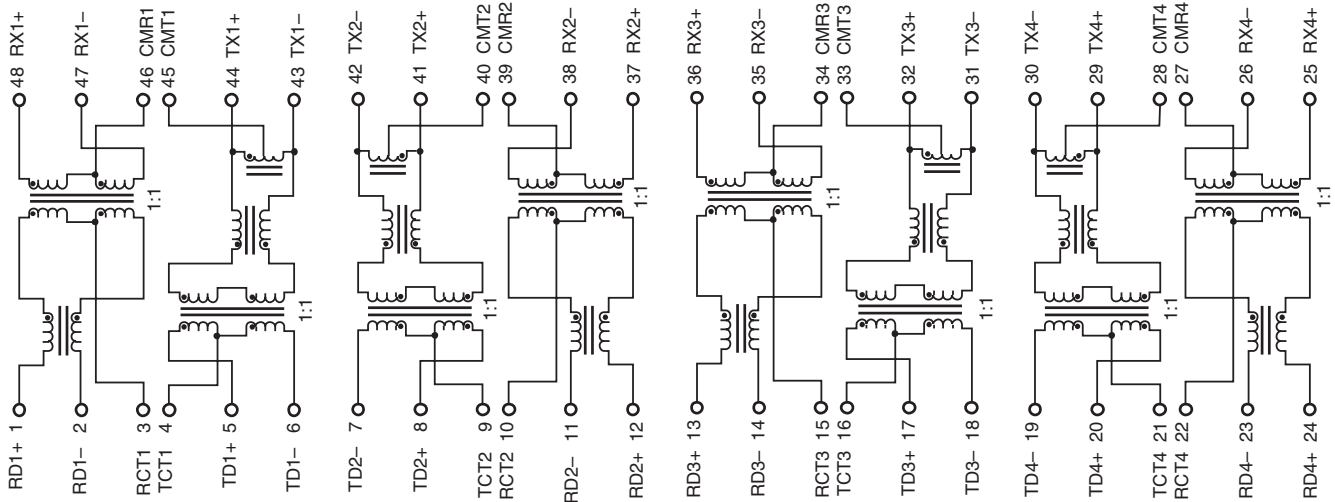
# 10/100BASE-TX VOICE OVER IP MAGNETICS MODULES



## Schematics (continued)

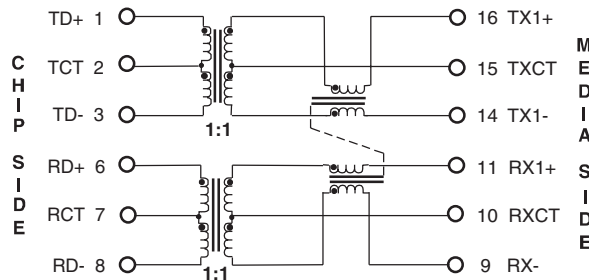
**H2014**

### MEDIA SIDE



### CHIP SIDE

**H2019**



## For More Information:

### UNITED STATES (Worldwide)

12220 World Trade Drive  
San Diego, CA 92128  
U.S.A.  
<http://www.pulseeng.com>  
TEL: 858 674 8100  
FAX: 858 674 8262

### UNITED KINGDOM (Northern Europe)

1 & 2 Huxley Road  
The Surrey Research Park  
Guildford, Surrey GU2 5RE  
United Kingdom  
TEL: 44 1483 401700  
FAX: 44 1483 401701

### FRANCE (Southern Europe)

Zone Industrielle  
F-39270  
Orgelet  
France  
TEL: 33 3 84 35 04 04  
FAX: 33 3 84 25 46 41

### SINGAPORE (Southern Asia)

150 Kampong Ampat  
#07-01/02  
KA Centre  
Singapore 368324  
TEL: 65 287 8998  
FAX: 65 280 0080

### TAIWAN, R.O.C. (Northern Asia)

3F-4, No. 81, Sec. 1  
HsinTai Wu Road  
Hsi-Chih, Taipei Hsien  
Taiwan, R.O.C.  
Tel: 886 2 2698 0228  
FAX: 886 2 2698 0948

### HONG KONG (Great China)

19/F, China United Plaza  
1008 Tai Nan West Street  
Cheung Sha Wan, Kowloon  
Hong Kong, China  
Tel: 852 2788 6588  
FAX: 852 2776 1055

### DISTRIBUTOR

Performance warranty of products offered on this data sheet is limited to the parameters specified. Data is subject to change without notice. Other brand and product



marks or registered trademarks of their respective owners.  
© 2002 Pulse Engineering, Inc. All rights reserved.