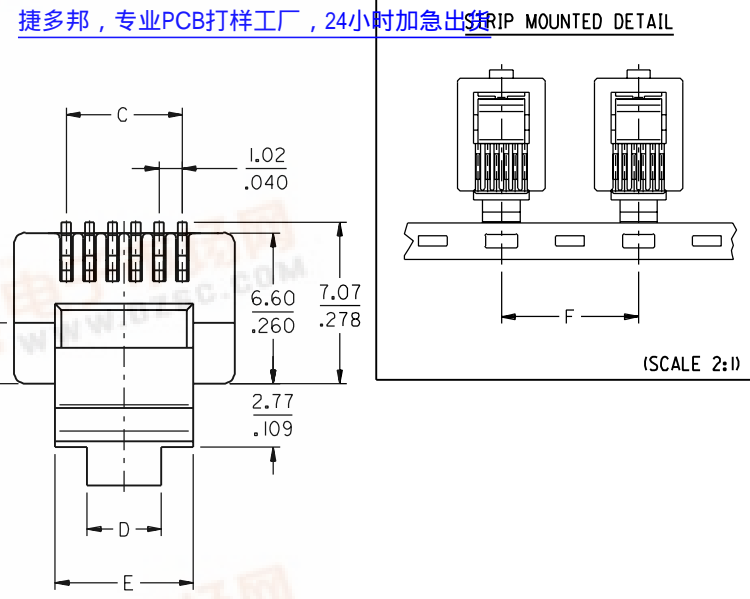
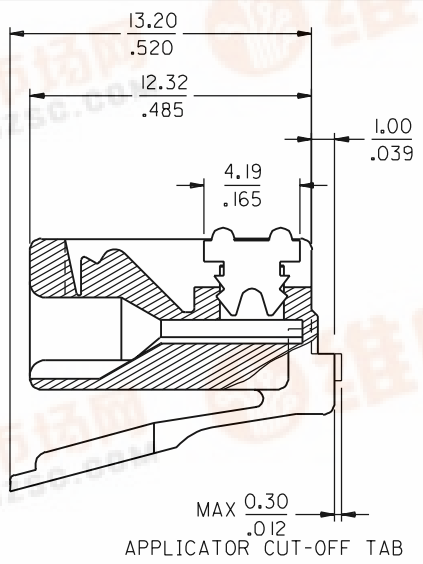
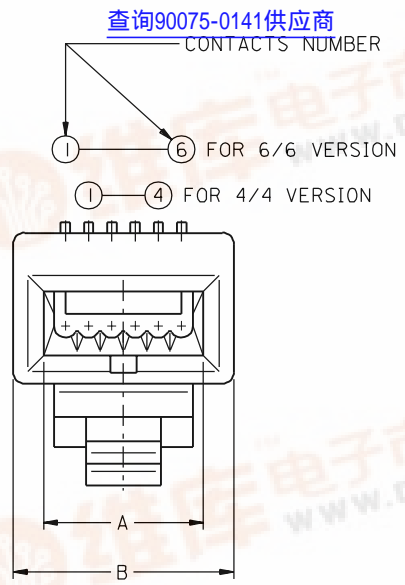


SEE CHART
PART NO. SDA-90075
DWG. NO.



NOTES:

- 1- MATERIAL:
HOUSING: POLYCARBONATE CLEAR
TERMINAL: 0.38/.015 THICK PHOSPHOR BRONZE
PLATING: SEE PLATINGS CHART
- 2- PRODUCT INTENDED TO TERMINATE FLAT OVAL CABLE CONFORMING TO REA BULLETIN 345-80-PE 75 HAVING 0.94/.037 Ø MAXI OVER CONDUCTORS INSULATION
- 3- PRODUCT SPECIFICATION: PS-90075
- 4- APPLICATION SPECIFICATION: AS-90075

CKTS	NUMBER OF LOADED CONTACTS	PLATING	STRIP MOUNTED		LOOSE PIECE		DIMENSIONS					
			PART NUMBER	TOOLED	PART NUMBER	TOOLED	A	B	C	D	E	F
4	4	1	90075-0001	YES	90075-0003	YES	5.21	7.62	3.05	2.54	4.95	12.00
		2	90075-0025	YES	90075-0027	YES	.205	.300	.120	.100	.195	.472
6	2	1	N/A	-	N/A	-			1.02			
		3	90075-0171	YES	N/A	-			.040			
	4	1	90075-0009	YES	90075-0011	YES	6.99	9.65	5.08	.128	6.05	15.00
		2	90075-0033	YES	90075-0035	YES	.275	.380				
	6	1	90075-0005	YES	90075-0007	YES						
		2	90075-0029	YES	90075-0031	YES						

PLATINGS

- ① 0.00076/.000030 MIN GOLD IN CONTACT AREA
0.00127/.000050 MIN TIN LEAD IN PIERCE AREA
BOTH OVER 0.00127/.000050 MIN NICKEL.
- ② 0.00127/.000050 MIN GOLD IN CONTACT AREA
0.00127/.000050 MIN TIN LEAD IN PIERCE AREA
BOTH OVER 0.00127/.000050 MIN NICKEL.
- ③ 0.00038/.000015 MIN GOLD IN CONTACT AREA
LEAD IN PIERCE AREA
039 MIN NICKEL.

VERSION 6/2 ADDED
ECN MC1999-0325
FB 99/06/09
DRAWN ON CAD SYST.
ECN 2369
FB 96/12/09

REVISIONS
UNLESS OTHERWISE SPECIFIED TOLERANCES: ANGULAR ±2°
INCH METRIC
3 PLACE ± .010 ±
2 PLACE ± .014 ± 0.25
1 PLACE ± . ± 0.35
DRAFT WHERE APPLICABLE MUST REMAIN WITHIN DIMENSIONS
DESIGN DIMENSION MM

DRWG BY: FB
CHK'D BY: TB
APP'D BY: JR

REVISE ONLY ON CAD SYSTEM SH. REV.

CAD/CAM PROJECT NAME: S90075X2, DGN
THIS DRAWING CONTAINS INFORMATION THAT IS PROPRIETARY TO MOLEX INC. & SHOULD NOT BE USED WITHOUT WRITTEN PERMISSION

TITLE: W.E. TYPE MODULAR PLUG 4/4, 6/4 AND 6/6 FOR OVAL FLAT CABLE

MOLEX EUROPE SHEET NO. DATE

