

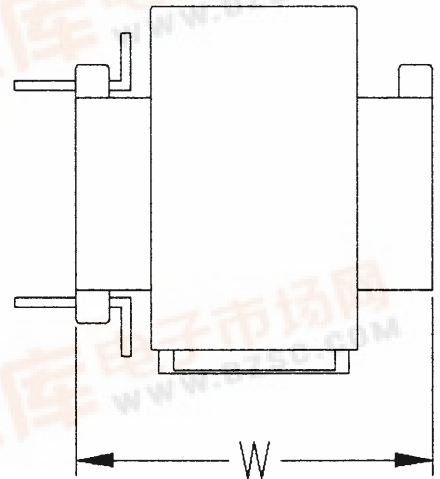
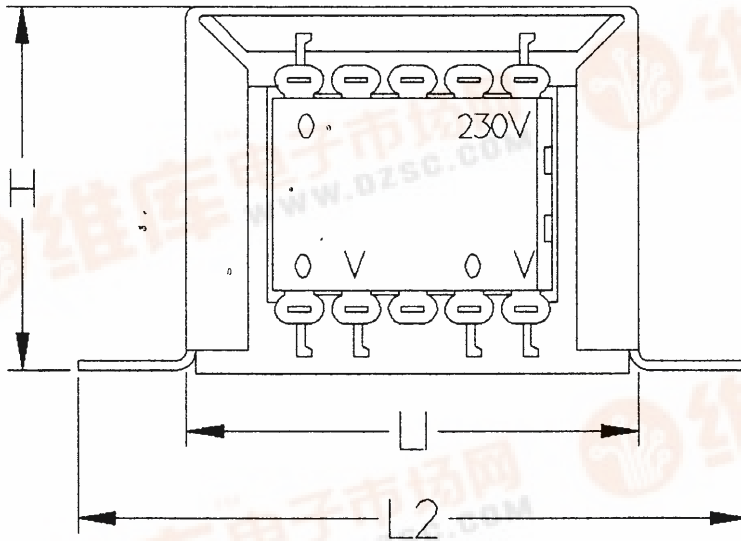
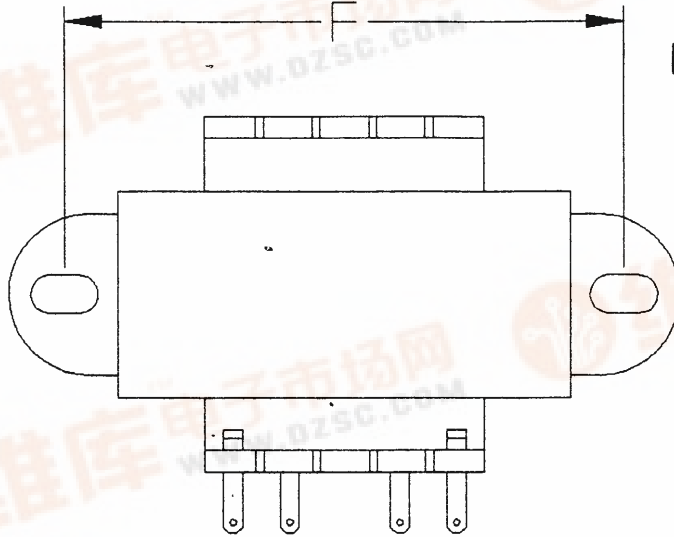
IF IN DOUBT - ASK

THIS IS A CAD DRAWING ALL PRINTS ARE FOR REFERENCE ONLY DO NOT AMMEND HARD COPIES ALL CHANGES TO BE MADE TO ORIGINAL CAD DRAWING ONLY

159-554 → 159-700  
159-840 → 159-992

6VA-50VA 230V CHASSIS RANGE

159-554 to 159-700  
159-840 to 159-992



RATED VA	REG %	DIMENSIONS			FIXINGS		wt. KG
		L1/L2	W.#	H.	F	SIZE	
6	24	45/68	35.5	37.5	55	4BA	0.17
12	12	60/90	47	50	74	2BA	0.38
20	12	60/90	52	50	74	2BA	0.53
50	10	79/106	60	66	93.9	2BA	0.98

# EXCLUDES TAGS

Wood End Rd,  
Cranfield, Beds  
MK43 0ED  
Tel : 01234 750342  
Fax : 01234 751804  
:ring@  
jk

Third Angle Projection

General Tolerance  
x - ± 0.4mm  
x.x - ± 0.2mm  
x.xx - ± 0.1mm

DRAWING NAME  
OUTLINE DRAWINGS AND DATA

USED ON  
6VA-50VA 230V CHASSIS RANGE

FINISH  
SCALE  
N.T.S

DRAWING No			
OLD-0003			
ISSUE	DATE	ENG	ECN
1	02.07.98	GJS	