

TENTATIVE

TOSHIBA MOS DIGITAL INTEGRATED CIRCUIT SILICON GATE CMOS

8,388,608-WORD × 8-BIT EDO (HYPER PAGE) DYNAMIC RAM

**DESCRIPTION**

The TC5164(5)805BJ/BFT/BJB/BFTS is an EDO (hyper page) dynamic RAM organized as 8,388,608 words by 8 bits. TC5164(5)805BJ/BFT/BJB/BFTS utilizes TOSHIBA's CMOS silicon gate process technology as well as advanced circuit techniques to provide wide operating margins, both internally and to the system user. Multiplexed address inputs permit the TC5164(5)805BJ/BFT/BJB/BFTS to be packaged in either a 32-pin plastic SOJ or a 32-pin plastic TSOP. The package size provides high system bit densities and is compatible with widely available automated testing and insertion equipment. Other features include a single power supply of  $3.3V \pm 0.3V$  tolerance and direct interfacing with high performance logic families such as LVTTL.

**FEATURES**

- 8,388,608-word by 8-bit organization
- Fast access time and cycle time
- Single power supply of  $3.3V \pm 0.3V$  with a built-in  $V_{BB}$  generator
- Low power dissipation (max)
  - Operating : 306mW (TC5164805BJ/BFT/BJB/BFTS-40)
  - 252mW (TC5164805BJ/BFT/BJB/BFTS-50)
  - 432mW (TC5165805BJ/BFT/BJB/BFTS-40)
  - 360mW (TC5165805BJ/BFT/BJB/BFTS-50)
  - Standby : 1.8mW
  - 0.72mW (S-version)
- Outputs unlatched at cycle end, allowing two-dimensional chip selection
- Read-Modify-Write and EDO (Hyper Page mode) capability
- All inputs and outputs LVTTL-compatible
- Packages
  - BJ/BJB : SOJ32-P-400-1.27B, 1.27 grams
  - BFT/BFTS : TSOP II 32-P-400-1.27B, 0.50grams

		TC5164(5)805	
		BJ/BFT/BJB/BFTS	
		-40	-50
$t_{RAC}$	RAS Access Time	40ns	50ns
$t_{AA}$	Column Address Access Time	20ns	25ns
$t_{CAC}$	CAS Access Time	11ns	13ns
$t_{RC}$	Cycle Time	69ns	84ns
$t_{HPC}$	Hyper Page Mode Cycle Time	16ns	20ns

Part No.	Row Add.	Col. Add.	Refresh	Refresh Cycle
TC5164805BJ/BFT	A0 to A12	A0 to A9	$\overline{RAS}$ -Only refresh	8192/64 ms
			$\overline{CAS}$ -before- $\overline{RAS}$ refresh, Hidden refresh	4096/64 ms
TC5165805BJ/BFT	A0 to A11	A0 to A10	$\overline{RAS}$ -Only refresh, $\overline{CAS}$ -before- $\overline{RAS}$ refresh, Hidden refresh	4096/64 ms
TC5164805BJB/BFTS (S-version)	A0 to A12	A0 to A9	$\overline{RAS}$ -Only refresh	8192/128 ms
			$\overline{CAS}$ -before- $\overline{RAS}$ refresh, Hidden refresh, Self-refresh	4096/128 ms
TC5165805BJB/BFTS (S-version)	A0 to A11	A0 to A10	$\overline{RAS}$ -Only refresh, $\overline{CAS}$ -before- $\overline{RAS}$ refresh, Hidden refresh, Self-refresh	4096/128 ms

980910EBA1

- TOSHIBA is continually working to improve the quality and the reliability of its products. Nevertheless, semiconductor devices in general can malfunction or fail due to their inherent electrical sensitivity and vulnerability to physical stress. It is the responsibility of the buyer, when utilizing TOSHIBA products, to observe standards of safety, and to avoid situations in which a malfunction or failure of a TOSHIBA product could cause loss of human life, bodily injury or damage to property. In developing your designs, please ensure that TOSHIBA products are used within specified operating ranges as set forth in the most recent products specifications. Also, please keep in mind the precautions and conditions set forth in the TOSHIBA Semiconductor Reliability Handbook.
- The products described in this document are subject to the foreign exchange and foreign trade laws.
- The information contained herein is presented only as a guide for the applications of our products. No responsibility is assumed by TOSHIBA CORPORATION for any infringements of intellectual property or other rights of the third parties which may result from its use. No license is granted by implication or otherwise under any intellectual property or other rights of TOSHIBA CORPORATION or others.
- The information contained herein is subject to change without notice.

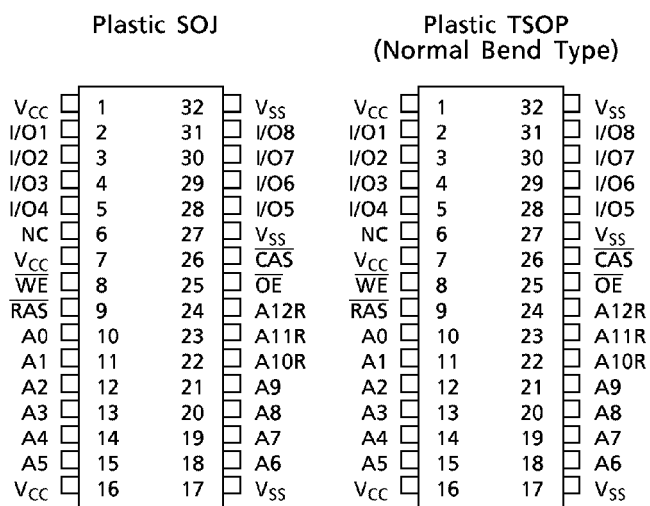
1998-03-04 1/24

www.DataSheet4U.com

## TC5164805BJ/BFT/BJs/BFTS

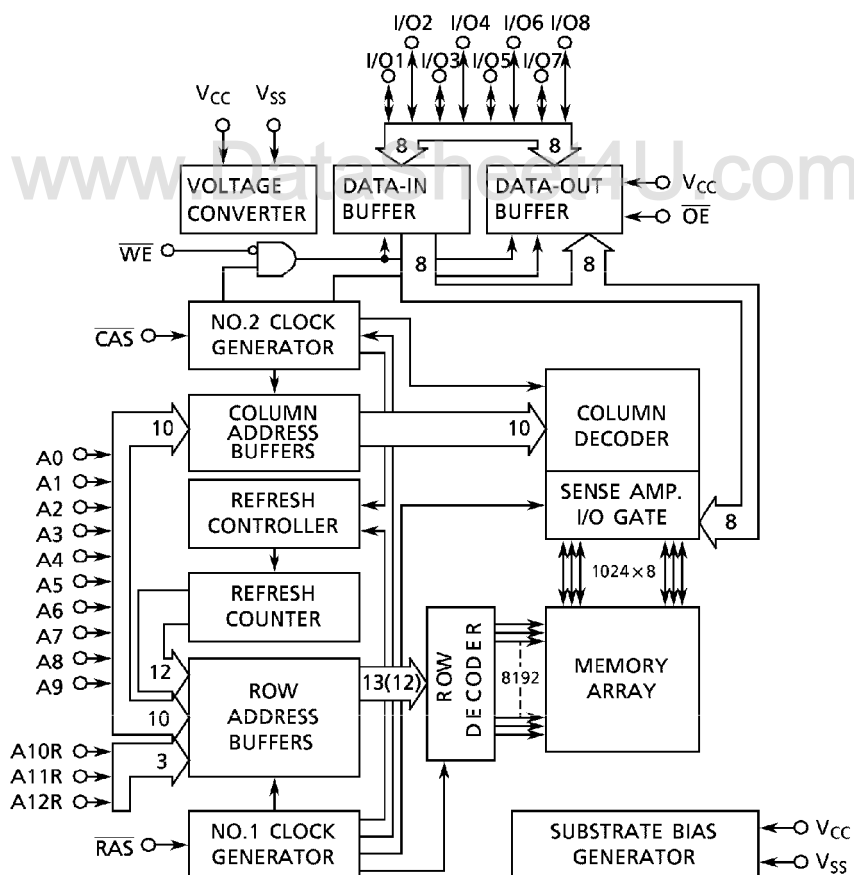
### PIN ASSIGNMENT (TOP VIEW)

### PIN NAMES



A0 to A12	Address Inputs
RAS	Row Address Strobe
CAS	Column Address Strobe
WE	Write Enable
OE	Output Enable
I/O1 to I/O8	Data Input/Output
V <sub>CC</sub>	Power (+ 3.3V)
V <sub>SS</sub>	Ground
NC	No Connection

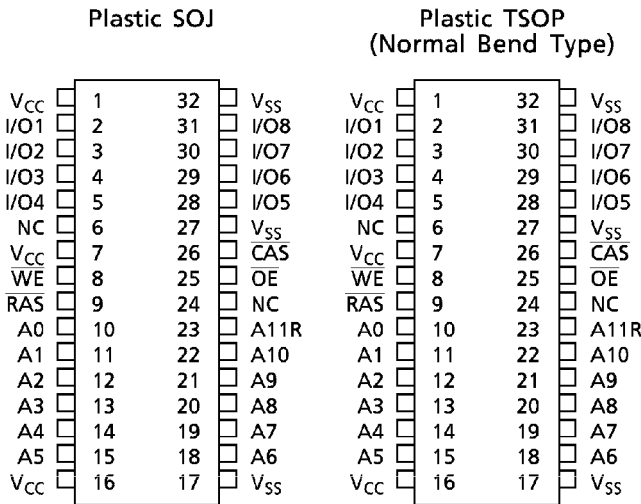
### BLOCK DIAGRAM



**TC5165805BJ/BFT/BJS/BFTS**

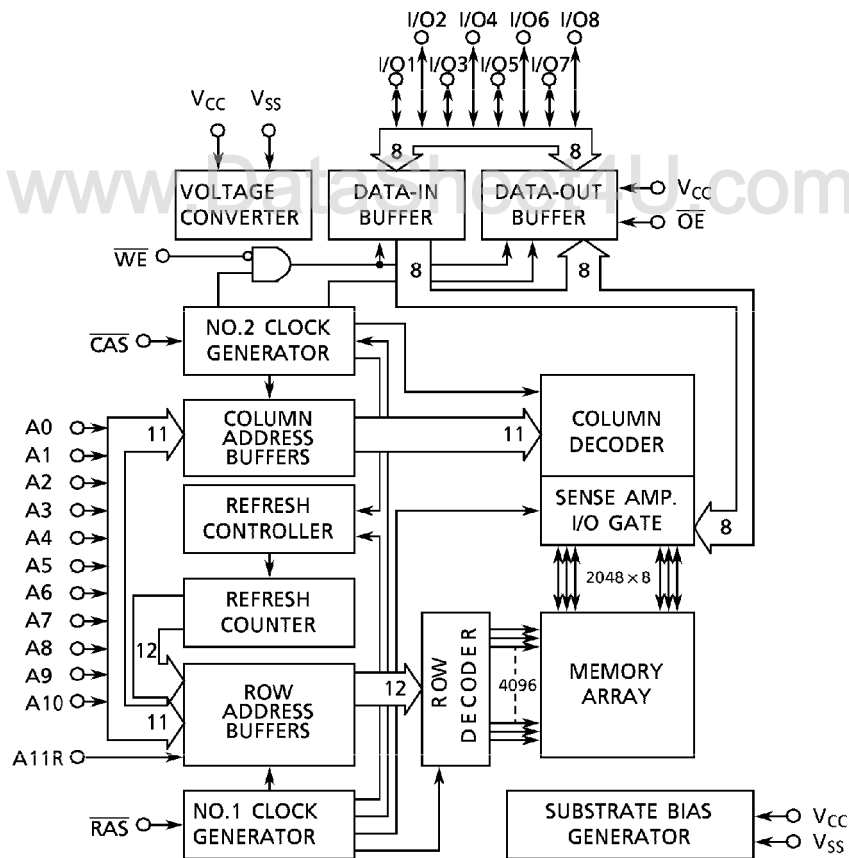
**PIN ASSIGNMENT (TOP VIEW)**

**PIN NAMES**



A0 to A11	Address Inputs
$\overline{\text{RAS}}$	Row Address Strobe
$\overline{\text{CAS}}$	Column Address Strobe
$\overline{\text{WE}}$	Write Enable
$\overline{\text{OE}}$	Output Enable
I/O1 to I/O8	Data Input/Output
$V_{\text{CC}}$	Power (+ 3.3V)
$V_{\text{SS}}$	Ground
NC	No Connection

**BLOCK DIAGRAM**



**ABSOLUTE MAXIMUM RATINGS**

ITEM	SYMBOL	RATING	UNIT	NOTES
Input Voltage	$V_{IN}$	- 0.3 to $V_{CC} + 0.3$	V	1
Output Voltage	$V_{OUT}$	- 0.3 to $V_{CC} + 0.3$	V	1
Power Supply Voltage	$V_{CC}$	- 0.3 to 4.6	V	1
Operating Temperature	$T_{OPR}$	0 to 70	°C	1
Storage Temperature	$T_{STG}$	- 55 to 150	°C	1
Soldering Temperature (10 s)	$T_{SOLDER}$	260	°C	1
Power Dissipation	$P_D$	1.0	W	1
Short Circuit Output Current	$I_{OUT}$	50	mA	1

**RECOMMENDED DC OPERATING CONDITIONS ( $T_a = 0$  to  $70^\circ\text{C}$ )**

SYMBOL	PARAMETER	MIN	TYP.	MAX	UNIT	NOTES
$V_{CC}$	Supply Voltage	3.0	3.3	3.6	V	2
$V_{IH}$	Input High Voltage	2.0	-	$V_{CC} + 0.3^*$	V	2
$V_{IL}$	Input Low Voltage	- 0.3**	-	0.8	V	2

\*  $V_{CC} + 1.2\text{V}$  at pulse width  $\leq 20\text{ns}$  (pulse width is measured at  $V_{CC}$ )\*\*  $-1.2\text{V}$  at pulse width  $\leq 20\text{ns}$  (pulse width is measured at  $V_{SS}$ )**CAPACITANCE ( $V_{CC} = 3.3\text{V} \pm 0.3\text{V}$ ,  $f = 1\text{ MHz}$ ,  $T_a = 0$  to  $70^\circ\text{C}$ )**

SYMBOL	PARAMETER	MIN	MAX	UNIT
$C_{I1}$	Input Capacitance (Address)	-	5	pF
$C_{I2}$	Input Capacitance (RAS, CAS, WE, OE)	-	7	pF
$C_O$	I/O Capacitance (I/O1 to I/O8)	-	7	pF

DC CHARACTERISTICS ( $V_{CC} = 3.3V \pm 0.3V$ ,  $T_a = 0$  to  $70^\circ C$ )

SYMBOL	PARAMETER	MIN	MAX	UNIT	NOTES	
$I_{CC1}$	OPERATING CURRENT Average Power Supply Operating Current ( $\overline{RAS}$ , $\overline{CAS}$ , Address Cycling: $t_{RC} = t_{RC}$ min)	TC5164805BJ/BFT/BJS/BFTS-40	-	85	mA	3, 4, 5
		TC5164805BJ/BFT/BJS/BFTS-50	-	70		
		TC5165805BJ/BFT/BJS/BFTS-40	-	120		
		TC5165805BJ/BFT/BJS/BFTS-50	-	100		
$I_{CC2}$	STANDBY CURRENT Power Supply Standby Current ( $\overline{RAS} = \overline{CAS} = V_{IH}$ )	-	1	mA		
$I_{CC3}$	$\overline{RAS}$ -ONLY REFRESH CURRENT Average Power Supply Current, $\overline{RAS}$ -Only Mode ( $\overline{RAS}$ Cycling, $\overline{CAS} = V_{IH}$ : $t_{RC} = t_{RC}$ min)	TC5164805BJ/BFT/BJS/BFTS-40	-	85	mA	3, 5
		TC5164805BJ/BFT/BJS/BFTS-50	-	70		
		TC5165805BJ/BFT/BJS/BFTS-40	-	120		
		TC5165805BJ/BFT/BJS/BFTS-50	-	100		
$I_{CC4}$	HYPER PAGE MODE CURRENT Average Power Supply Current, Hyper Page Mode ( $\overline{RAS} = V_{IL}$ , $\overline{CAS}$ , Address Cycling: $t_{HPC} = t_{HPC}$ min)	TC5164805BJ/BFT/BJS/BFTS-40	-	90	mA	3, 4, 5
		TC5164805BJ/BFT/BJS/BFTS-50	-	75		
		TC5165805BJ/BFT/BJS/BFTS-40	-	90		
		TC5165805BJ/BFT/BJS/BFTS-50	-	75		
$I_{CC5}$	STANDBY CURRENT Power Supply Standby Current ( $\overline{RAS} = \overline{CAS} = V_{CC} - 0.2V$ )	-	500	$\mu A$		
		-	200 (S-version)			
$I_{CC6}$	$\overline{CAS}$ -BEFORE- $\overline{RAS}$ REFRESH CURRENT Average Power Supply Current, $\overline{CAS}$ -before- $\overline{RAS}$ Mode ( $\overline{RAS}$ , $\overline{CAS}$ Cycling: $t_{RC} = t_{RC}$ min)	TC5164805BJ/BFT/BJS/BFTS-40	-	120	mA	3, 5
		TC5164805BJ/BFT/BJS/BFTS-50	-	100		
		TC5165805BJ/BFT/BJS/BFTS-40	-	120		
		TC5165805BJ/BFT/BJS/BFTS-50	-	100		
$I_{CC7}$	BATTERY BACK-UP CURRENT Average Power Supply Current, Battery Back-up Mode ( $\overline{RAS}$ Cycling, $\overline{CAS} = \overline{CAS}$ -before- $\overline{RAS}$ Cycling or 0.2V, $\overline{OE}$ , $\overline{WE}$ , Address = $V_{CC} - 0.2V$ or 0.2V, I/O1 to I/O8 = $V_{CC} - 0.2V$ , 0.2V or Hi-Z: $t_{RC} = 31.2\mu s$ $t_{RAS} = t_{RAS}$ min to 300ns)	-	500 (S-version)	$\mu A$		
$I_{CC8}$	SELF-REFRESH CURRENT Average Power Supply Current, Self-Refresh Mode ( $\overline{RAS} = \overline{CAS} = V_{IL}$ , $\overline{OE}$ , $\overline{WE}$ , Address = $V_{CC} - 0.2V$ or 0.2V, I/O1 to I/O8 = $V_{CC} - 0.2V$ , 0.2V or Hi-Z)	-	400 (S-version)	$\mu A$		
$I_{i(L)}$	INPUT LEAKAGE CURRENT Input Leakage Current, Any Input ( $0V \leq V_{IN} \leq V_{CC}$ , All Other Pins Not under Test = 0V)	- 10	10	$\mu A$		
$I_{o(L)}$	OUTPUT LEAKAGE CURRENT ( $D_{OUT}$ Is Disabled, $0V \leq V_{OUT} \leq V_{CC}$ )	- 10	10	$\mu A$		
$V_{OH}$	OUTPUT LEVEL Output H Level Voltage ( $I_{OUT} = -2mA$ )	2.4	-	V		
$V_{OL}$	OUTPUT LEVEL Output L Level Voltage ( $I_{OUT} = 2mA$ )	-	0.4	V		

**AC CHARACTERISTICS AND RECOMMENDED OPERATING CONDITIONS**(V<sub>CC</sub> = 3.3V ± 0.3V, T<sub>a</sub> = 0 to 70°C) (Notes 6, 7, 8)

SYMBOL	PARAMETER	TC5164(5)805BJ/BFT/BJ5/BFTS				UNIT	NOTES
		-40		-50			
		MIN	MAX	MIN	MAX		
t <sub>RC</sub>	Random Read-or-Write Cycle Time	69	–	84	–	ns	
t <sub>RMW</sub>	Read-Modify-Write Cycle Time	92	–	111	–	ns	
t <sub>RAC</sub>	Access Time from RAS	–	40	–	50	ns	9, 14, 15
t <sub>CAC</sub>	Access Time from CAS	–	11	–	13	ns	9, 14
t <sub>AA</sub>	Access Time from Column Address	–	20	–	25	ns	9, 15
t <sub>CPA</sub>	Access Time from CAS Precharge	–	22	–	28	ns	9
t <sub>CLZ</sub>	CAS to Output in Low-Z	0	–	0	–	ns	
t <sub>OFF</sub>	Output Buffer Turn-off Delay	0	11	0	13	ns	10, 16
t <sub>T</sub>	Transition Time (Rise and Fall)	1	50	1	50	ns	8
t <sub>RP</sub>	RAS Precharge Time	25	–	30	–	ns	
t <sub>RAS</sub>	RAS Pulse Width	40	10,000	50	10,000	ns	
t <sub>RASP</sub>	RAS Pulse Width (Hyper Page Mode)	40	100,000	50	100,000	ns	
t <sub>RSH</sub>	RAS Hold Time	6	–	8	–	ns	
t <sub>RHCP</sub>	RAS Hold Time from CAS Precharge (Hyper Page Mode)	22	–	28	–	ns	
t <sub>CSH</sub>	CAS Hold Time	30	–	35	–	ns	
t <sub>CAS</sub>	CAS Pulse Width	6	10,000	8	10,000	ns	
t <sub>RCD</sub>	RAS-to-CAS Delay Time	10	29	12	37	ns	14
t <sub>RAD</sub>	RAS-to-Column-Address Delay Time	8	20	10	25	ns	15
t <sub>CRP</sub>	CAS-to-RAS Precharge Time	5	–	5	–	ns	
t <sub>CP</sub>	CAS Precharge Time	6	–	8	–	ns	
t <sub>ASR</sub>	Row Address Set up Time	0	–	0	–	ns	
t <sub>RAH</sub>	Row Address Hold Time	6	–	8	–	ns	
t <sub>ASC</sub>	Column Address Set up Time	0	–	0	–	ns	
t <sub>CAH</sub>	Column Address Hold Time	6	–	8	–	ns	
t <sub>RAL</sub>	Column-Address-to-RAS Lead Time	20	–	25	–	ns	
t <sub>RCS</sub>	Read Command Set up Time	0	–	0	–	ns	
t <sub>RCH</sub>	Read Command Hold Time	0	–	0	–	ns	11
t <sub>RRH</sub>	Read Command Hold Time Referenced to RAS	0	–	0	–	ns	11
t <sub>WCH</sub>	Write Command Hold Time	6	–	8	–	ns	
t <sub>WP</sub>	Write Command Pulse Width	6	–	8	–	ns	
t <sub>RWL</sub>	Write-Command-to-RAS Lead Time	6	–	8	–	ns	
t <sub>CWL</sub>	Write-Command-to-CAS Lead Time	6	–	8	–	ns	
t <sub>DS</sub>	Data Set up Time	0	–	0	–	ns	12
t <sub>DH</sub>	Data Hold Time	6	–	8	–	ns	12

**AC CHARACTERISTICS AND RECOMMENDED OPERATING CONDITIONS**

(Continued)

SYMBOL	PARAMETER	TC5164(5)805BJ/BFT/BJ5/BFTS				UNIT	NOTES
		-40		-50			
		MIN	MAX	MIN	MAX		
t <sub>REF</sub>	Refresh Period	-	64	-	64	ms	
		-	128 (S-version)	-	128 (S-version)		
t <sub>WCS</sub>	Write Command Set up Time	0	-	0	-	ns	13
t <sub>CWD</sub>	$\overline{\text{CAS}}$ -to- $\overline{\text{WE}}$ Delay Time	26	-	30	-	ns	13
t <sub>RWD</sub>	$\overline{\text{RAS}}$ -to- $\overline{\text{WE}}$ Delay Time	55	-	67	-	ns	13
t <sub>AWD</sub>	Column-Address-to- $\overline{\text{WE}}$ Delay Time	35	-	42	-	ns	13
t <sub>CPWD</sub>	$\overline{\text{CAS}}$ -Precharge-to- $\overline{\text{WE}}$ Delay Time	37	-	45	-	ns	13
t <sub>CSR</sub>	CAS Set up Time (CAS-before-RAS Cycle)	5	-	5	-	ns	
t <sub>CHR</sub>	$\overline{\text{CAS}}$ Hold Time (CAS-before-RAS Cycle)	6	-	8	-	ns	
t <sub>RPC</sub>	$\overline{\text{RAS}}$ -to- $\overline{\text{CAS}}$ Precharge Time	5	-	5	-	ns	
t <sub>ROH</sub>	$\overline{\text{RAS}}$ Hold Time Referenced to $\overline{\text{OE}}$	6	-	8	-	ns	
t <sub>OEA</sub>	$\overline{\text{OE}}$ Access Time	-	11	-	13	ns	9
t <sub>OED</sub>	$\overline{\text{OE}}$ -to-Data Delay	11	-	13	-	ns	
t <sub>OLZ</sub>	$\overline{\text{OE}}$ to Output in Low-Z	0	-	0	-	ns	
t <sub>OEZ</sub>	Output Buffer Turn-off Delay Time from $\overline{\text{OE}}$	0	11	0	13	ns	10
t <sub>OEH</sub>	$\overline{\text{OE}}$ Command Hold Time	6	-	8	-	ns	
t <sub>ODS</sub>	Output Disable Set up Time	0	-	0	-	ns	
t <sub>WRP</sub>	$\overline{\text{WE}}$ -to-RAS Precharge Time (CAS-before-RAS Cycle)	5	-	5	-	ns	
t <sub>WRH</sub>	$\overline{\text{WE}}$ -to-RAS Hold Time (CAS-before-RAS Cycle)	6	-	8	-	ns	
t <sub>RNCD</sub>	RAS-to-Next-CAS Delay Time (Hyper Page Mode)	40	-	50	-	ns	
t <sub>HPC</sub>	Hyper Page Mode Cycle Time	16	-	20	-	ns	
t <sub>HPRWC</sub>	Hyper Page Mode Read-Modify-Write Cycle Time	47	-	57	-	ns	
t <sub>COH</sub>	Output Data Hold Time	5	-	5	-	ns	
t <sub>REZ</sub>	Output Buffer Turn-off Delay from RAS	0	11	0	13	ns	10, 16
t <sub>WEZ</sub>	Output Buffer Turn-off Delay from $\overline{\text{WE}}$	0	11	0	13	ns	10
t <sub>WED</sub>	$\overline{\text{WE}}$ -to-Data Delay	11	-	13	-	ns	
t <sub>OE</sub>	$\overline{\text{OE}}$ Pulse Width	11	-	13	-	ns	
t <sub>OEP</sub>	$\overline{\text{OE}}$ Precharge Time	6	-	8	-	ns	
t <sub>CPO</sub>	$\overline{\text{CAS}}$ -to- $\overline{\text{OE}}$ Precharge Time	5	-	5	-	ns	
t <sub>OCH</sub>	CAS Hold Time Referenced to $\overline{\text{OE}}$	6	-	8	-	ns	
t <sub>RASS</sub>	RAS Pulse Width (CAS-before-RAS Self-Refresh) (S-version only)	100	-	100	-	$\mu\text{s}$	
t <sub>RPS</sub>	$\overline{\text{RAS}}$ Precharge Time (CAS-before- $\overline{\text{RAS}}$ Self-Refresh) (S-version only)	69	-	84	-	ns	
t <sub>CHS</sub>	$\overline{\text{CAS}}$ Hold Time (CAS-before- $\overline{\text{RAS}}$ Self-Refresh) (S-version only)	-50	-	-50	-	ns	

## NOTES:

1. Conditions outside the limits listed under "Absolute Maximum Ratings" may cause permanent damage to the device.
2. All voltages are referenced to  $V_{SS}$ .
3.  $I_{CC1}$ ,  $I_{CC3}$ ,  $I_{CC4}$  and  $I_{CC6}$  depend on the cycle rate.
4.  $I_{CC1}$  and  $I_{CC4}$  depend on output loading. Specified values are obtained with the output open.
5. The address can be changed once at most while  $\overline{RAS} = V_{IL}$ . In the case of  $I_{CC4}$ , it can be changed once at most during a Hyper Page Mode cycle ( $t_{HPC}$ ).
6. An initial pause of  $200\mu s$  is required after power-up followed by a minimum of eight  $\overline{RAS}$ -Only refresh cycles before proper device operation is achieved. When using the internal refresh counter, a minimum of eight  $\overline{CAS}$ -before- $\overline{RAS}$  refresh cycles instead of eight  $\overline{RAS}$ -Only refresh cycles is required.
7. AC measurements assume  $t_T = 2ns$ .
8.  $V_{IH}$  (min) and  $V_{IL}$  (max) are reference levels for measuring the timing of input signals. Also, transition times are measured between the  $V_{IH}$  and  $V_{IL}$  levels.
9. This is measured with a load equivalent to  $100pF$  at  $V_{OH} = 2.0V$  ( $I_{OUT} = -2mA$ ),  $V_{OL} = 0.8V$  ( $I_{OUT} = 2mA$ ).
10.  $t_{OFF}$  (max),  $t_{OEZ}$  (max),  $t_{REZ}$  (max) and  $t_{WEZ}$  (max) define the time at which the output goes open circuit and are not referenced to output voltage levels.
11. Either  $t_{RCH}$  or  $t_{RRH}$  must be satisfied for a Read cycle.
12. These parameters are referenced to the leading edge of  $\overline{CAS}$  in Early Write cycles and to the leading edge of  $\overline{WE}$  in Read-Modify-Write cycles.
13.  $t_{WCS}$ ,  $t_{RWD}$ ,  $t_{CWD}$ ,  $t_{AWD}$  and  $t_{CPWD}$  are not restrictive operating parameters. They are included in the data sheet as electrical characteristics only. If  $t_{WCS} \geq t_{WCS}(\min)$ , the cycle is an Early Write cycle and the Data-out pin will remain open circuit (high impedance) throughout the entire cycle. If  $t_{RWD} \geq t_{RWD}(\min)$ ,  $t_{CWD} \geq t_{CWD}(\min)$ ,  $t_{AWD} \geq t_{AWD}(\min)$  and  $t_{CPWD} \geq t_{CPWD}(\min)$  (Hyper Page mode), the cycle is a Read-Modify-Write cycle and the data output will contain data read from the selected cell. If neither of the above sets of conditions is satisfied, the data output (at access time) is indeterminate.
14. Operation within the  $t_{RCD}(\max)$  limit ensures that  $t_{RAC}(\max)$  can be met.  $t_{RCD}(\max)$  is specified as a reference point only; if  $t_{RCD}$  is greater than the specified  $t_{RCD}(\max)$  limit, then the access time is determined by  $t_{CAC}$ .
15. Operation within the  $t_{RAD}(\max)$  limit ensures that  $t_{RAC}(\max)$  can be met.  $t_{RAD}(\max)$  is specified as a reference point only; if  $t_{RAD}$  is greater than the specified  $t_{RAD}(\max)$  limit, then the access time is determined by  $t_{AA}$ .
16. If  $\overline{RAS}$  goes high before  $\overline{CAS}$  goes high, the output goes open circuit when  $\overline{CAS}$  goes high ( $t_{OFF}$ ). If  $\overline{CAS}$  goes high before  $\overline{RAS}$  goes high, the output goes open circuit when  $\overline{RAS}$  goes high ( $t_{REZ}$ ).



DATA-OUT HI-Z CONTROL LOGIC

$\overline{\text{RAS}}$	$\overline{\text{CAS}}$	$\overline{\text{OE}}$	$\overline{\text{WE}}$	Timing Specification
H		L	H	$t_{\text{OFF}}$
	H	L	H	$t_{\text{REZ}}$
L	L		H	$t_{\text{OEZ}}$
L	H	L		$t_{\text{WEZ}}$

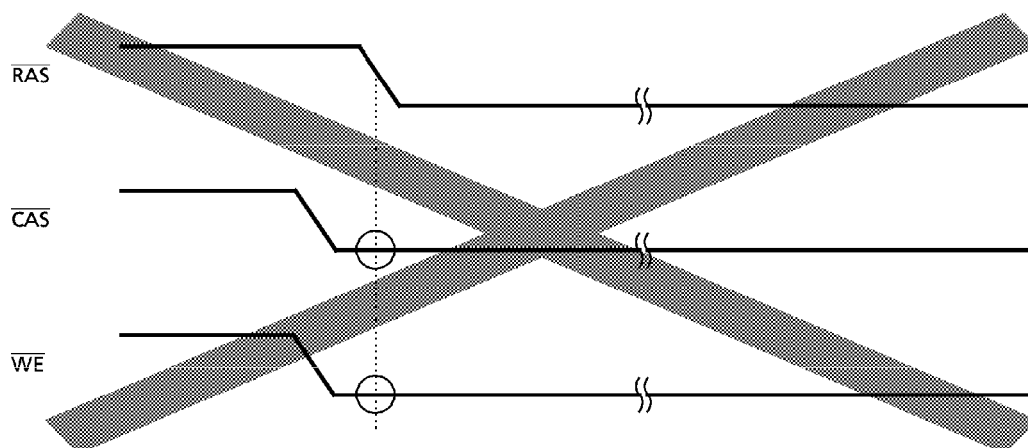
DATA-OUT LO-Z CONTROL LOGIC

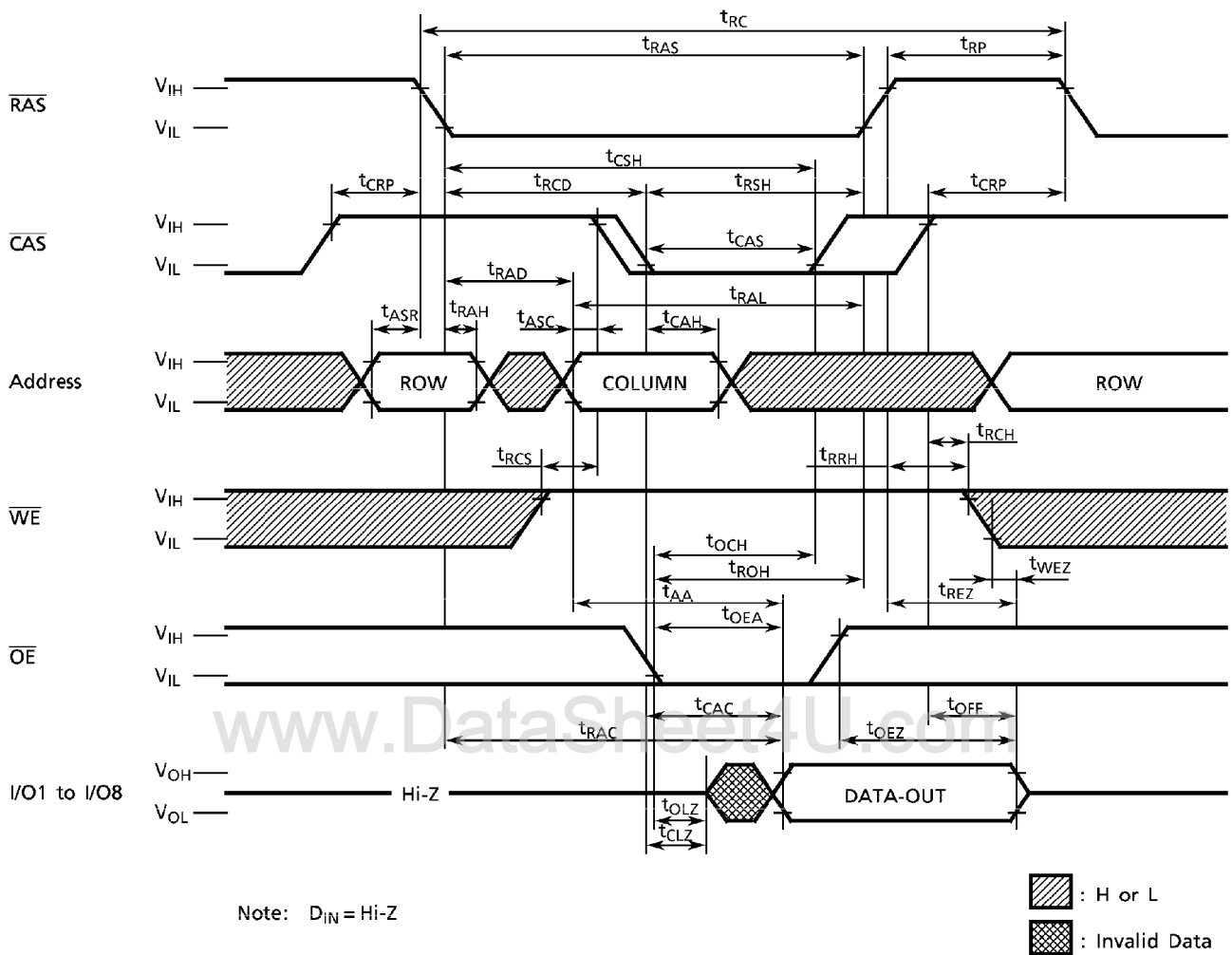
RAS	$\overline{\text{CAS}}$	$\overline{\text{OE}}$	$\overline{\text{WE}}$	Timing Specification
L		L	H	$t_{\text{CLZ}}$
L	L		H	$t_{\text{OLZ}}$
L	L		H	$t_{\text{OLZ}}$

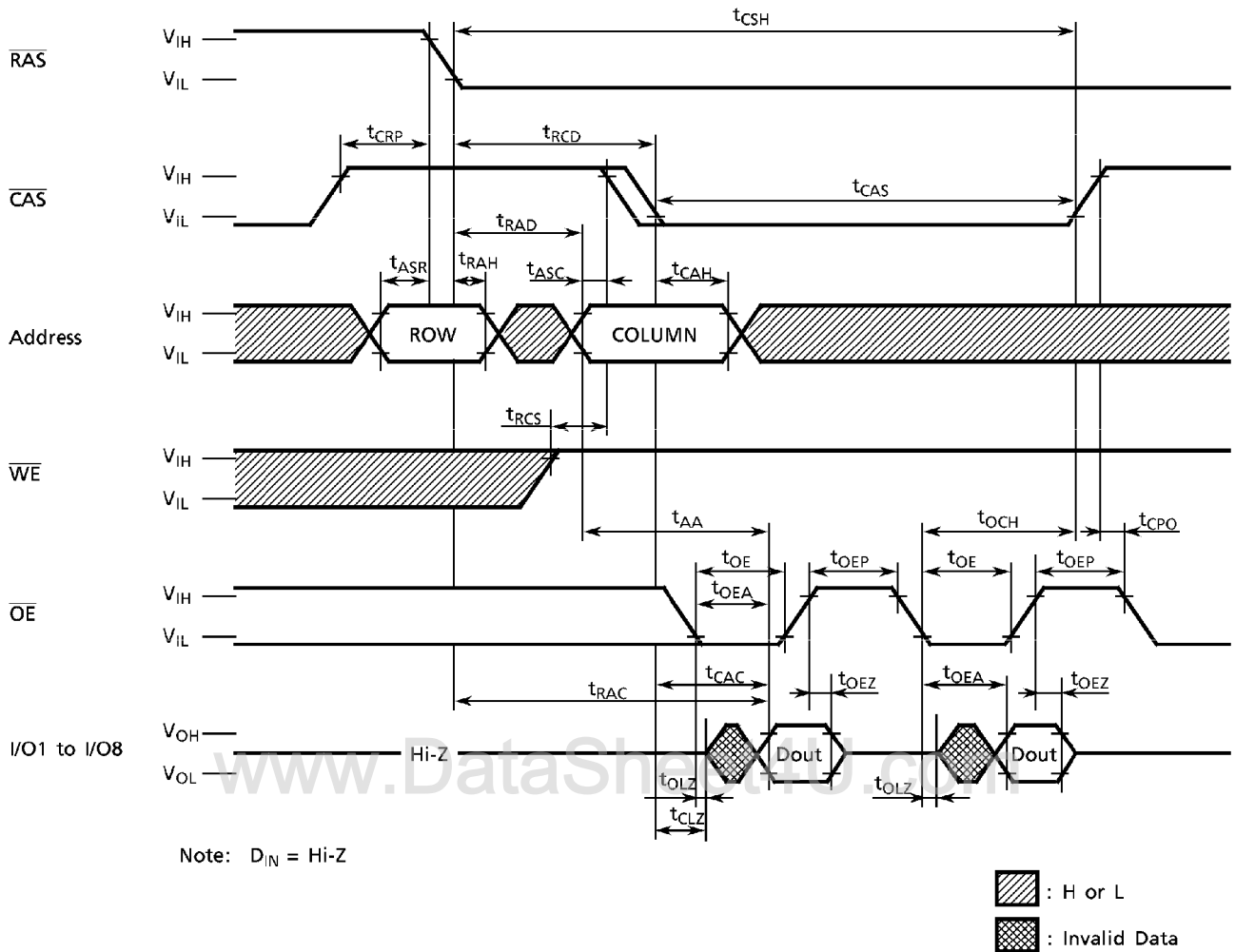
**CAUTION**

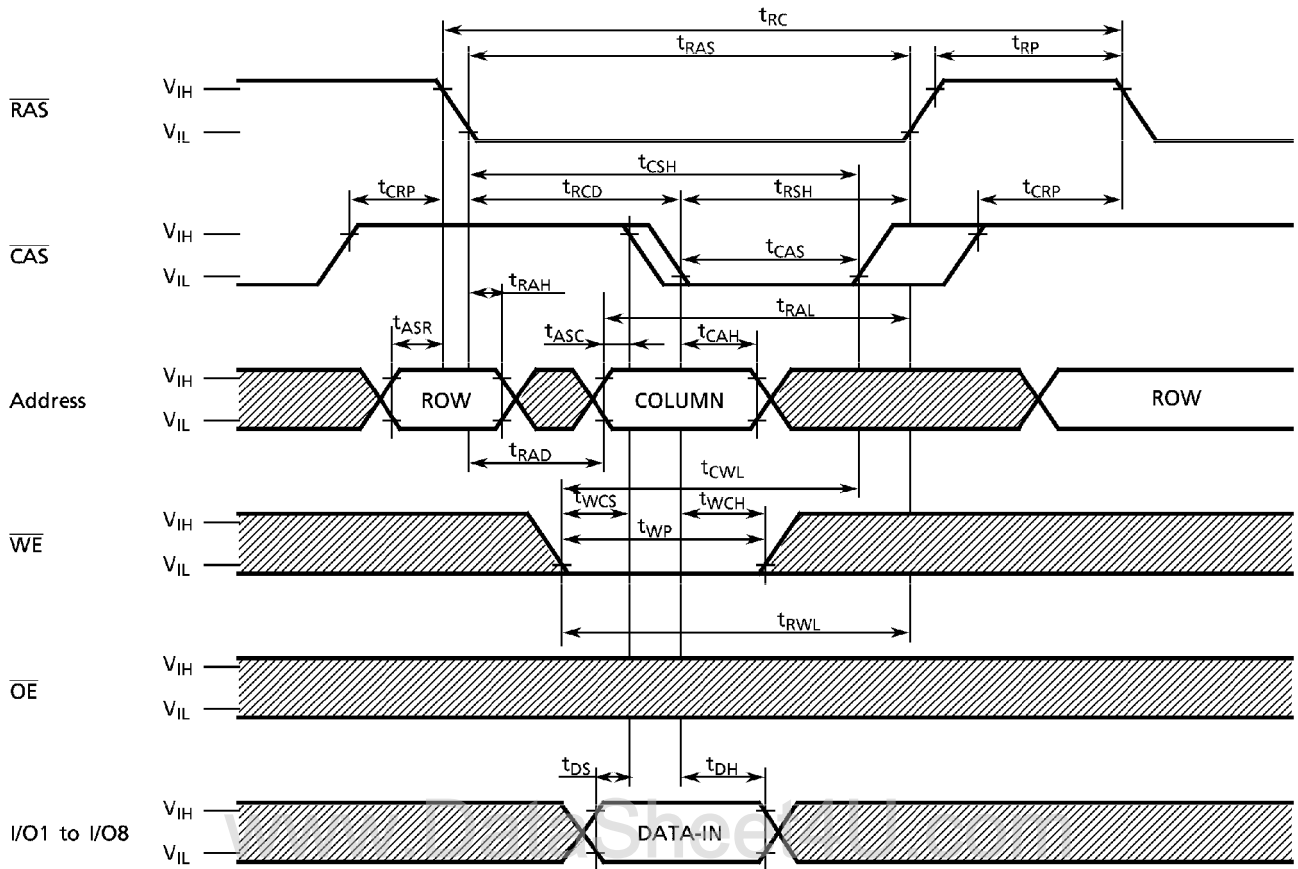

www.DataSheet4U.com

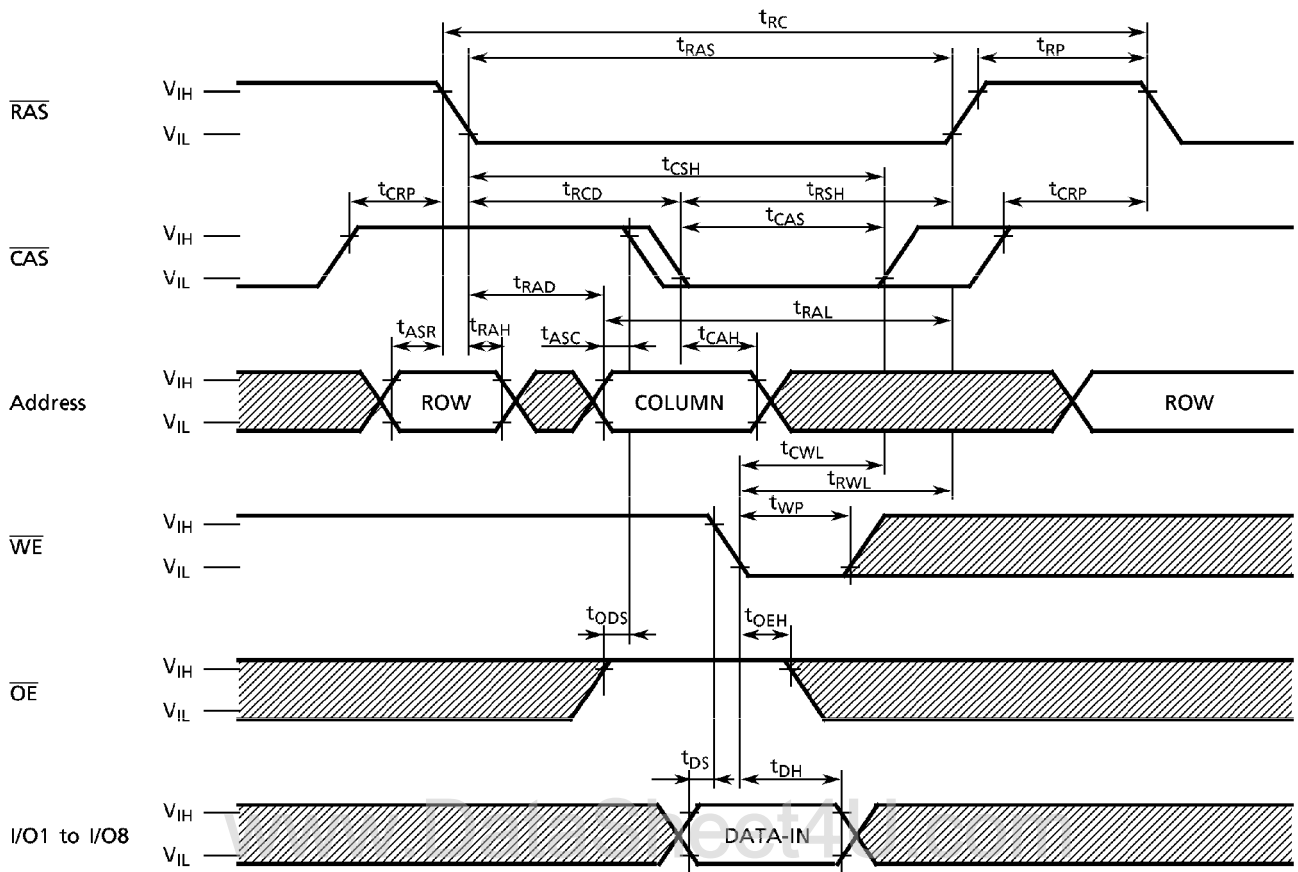

The WCBR ( $\overline{\text{WE}}$ ,  $\overline{\text{CAS}}$ -before- $\overline{\text{RAS}}$ ) timing shown below is not allowed during normal operation, such as during Read, Write and Refresh operations. When WCBR is input, a malfunction may occur due to the change in internal circuit operation status.

**WCBR timing**

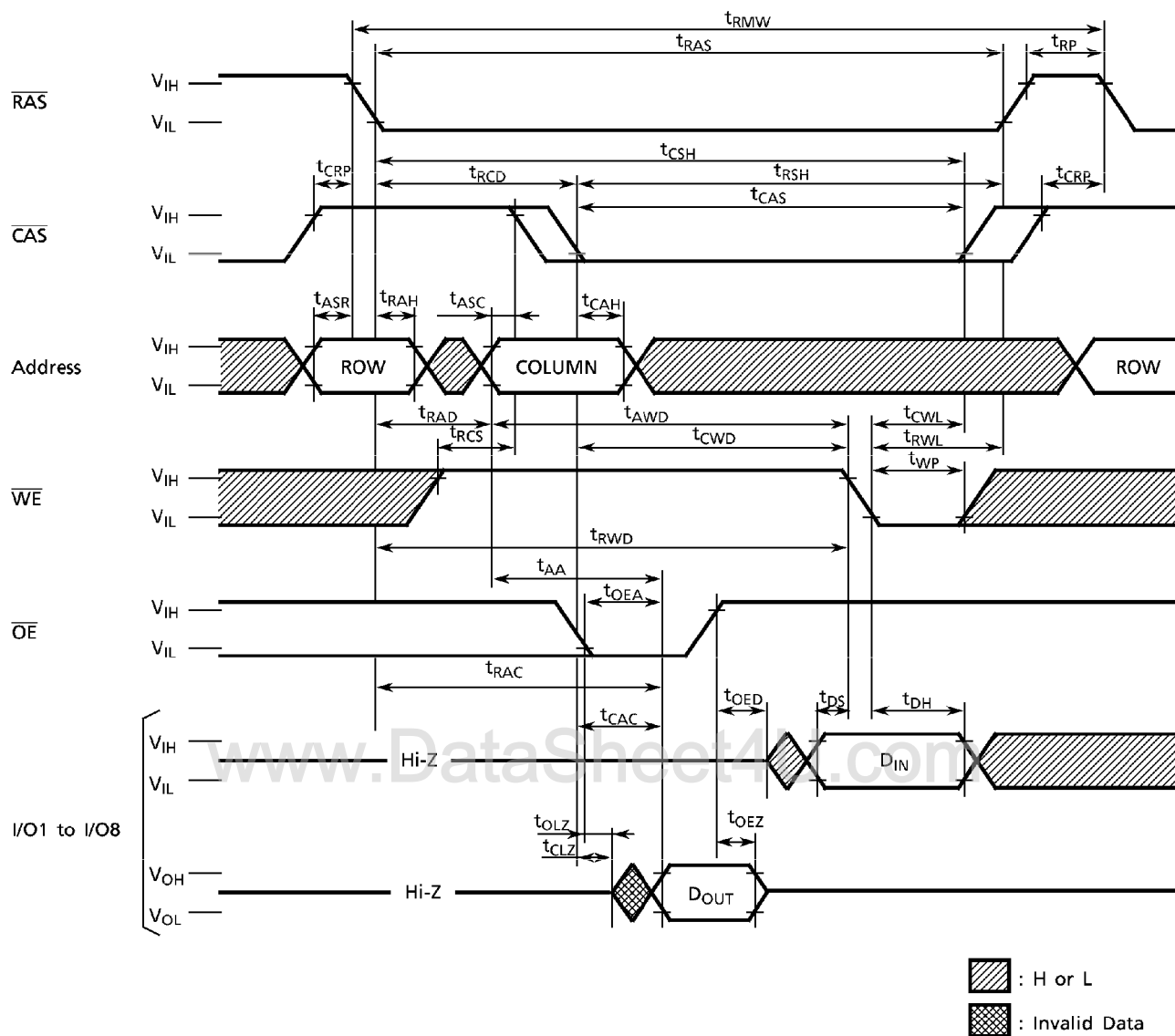
**TIMING DIAGRAMS****READ CYCLE**

**OE-CONTROLLED READ CYCLE**

WRITE CYCLE (EARLY WRITE)Note:  $D_{OUT} = \text{Hi-Z}$ 
 : H or L

OE-CONTROLLED WRITE CYCLENote:  $D_{OUT} = \text{Hi-Z}$ 
 : H or L

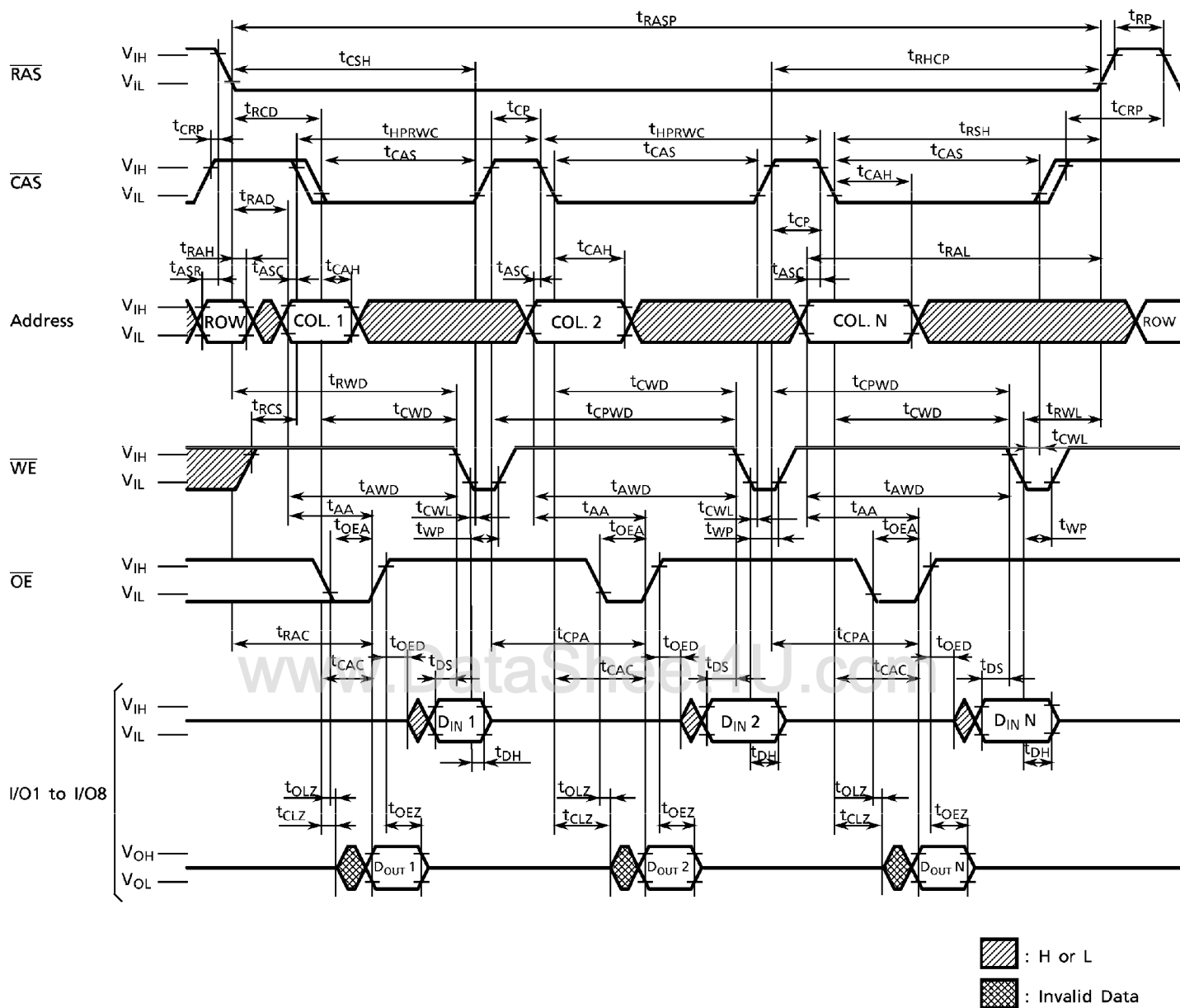
READ-MODIFY-WRITE CYCLE





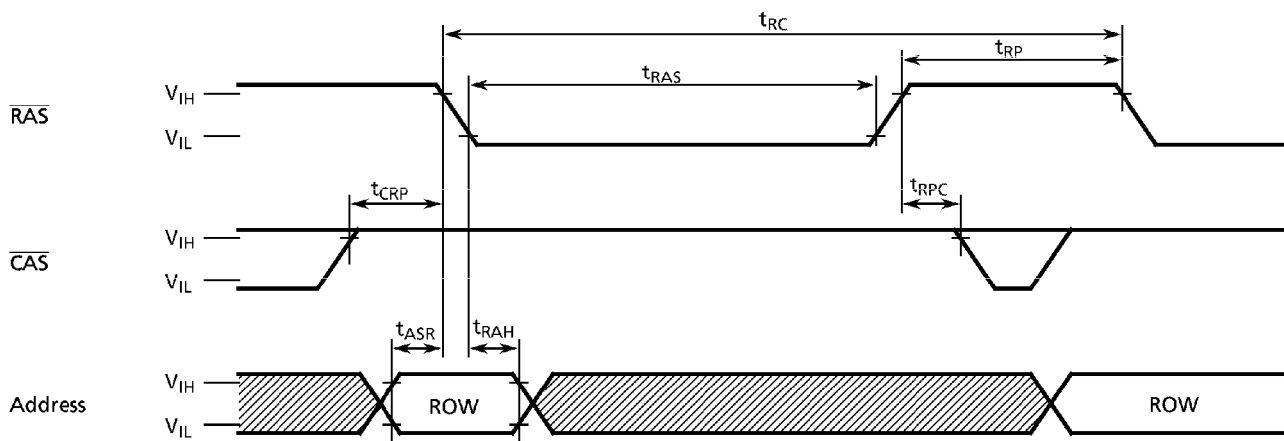




**HYPER PAGE MODE READ-MODIFY-WRITE CYCLE**



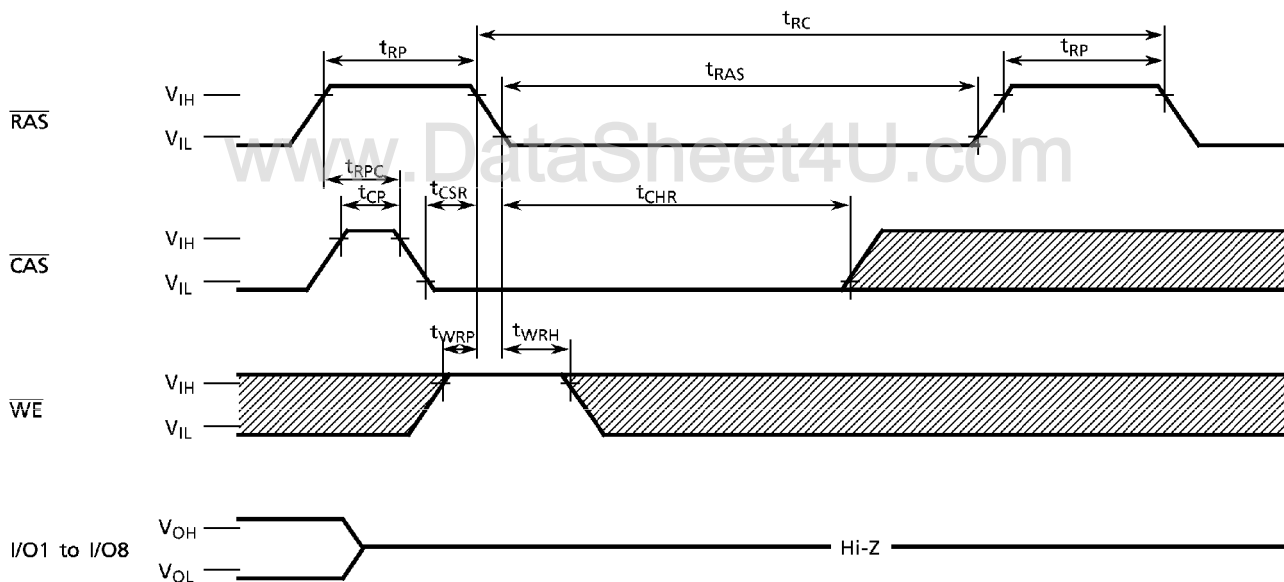
RAS-ONLY REFRESH CYCLE



Note:  $\overline{\text{WE}}$ ,  $\overline{\text{OE}}$  and  $D_{\text{IN}} = \text{H or L}$

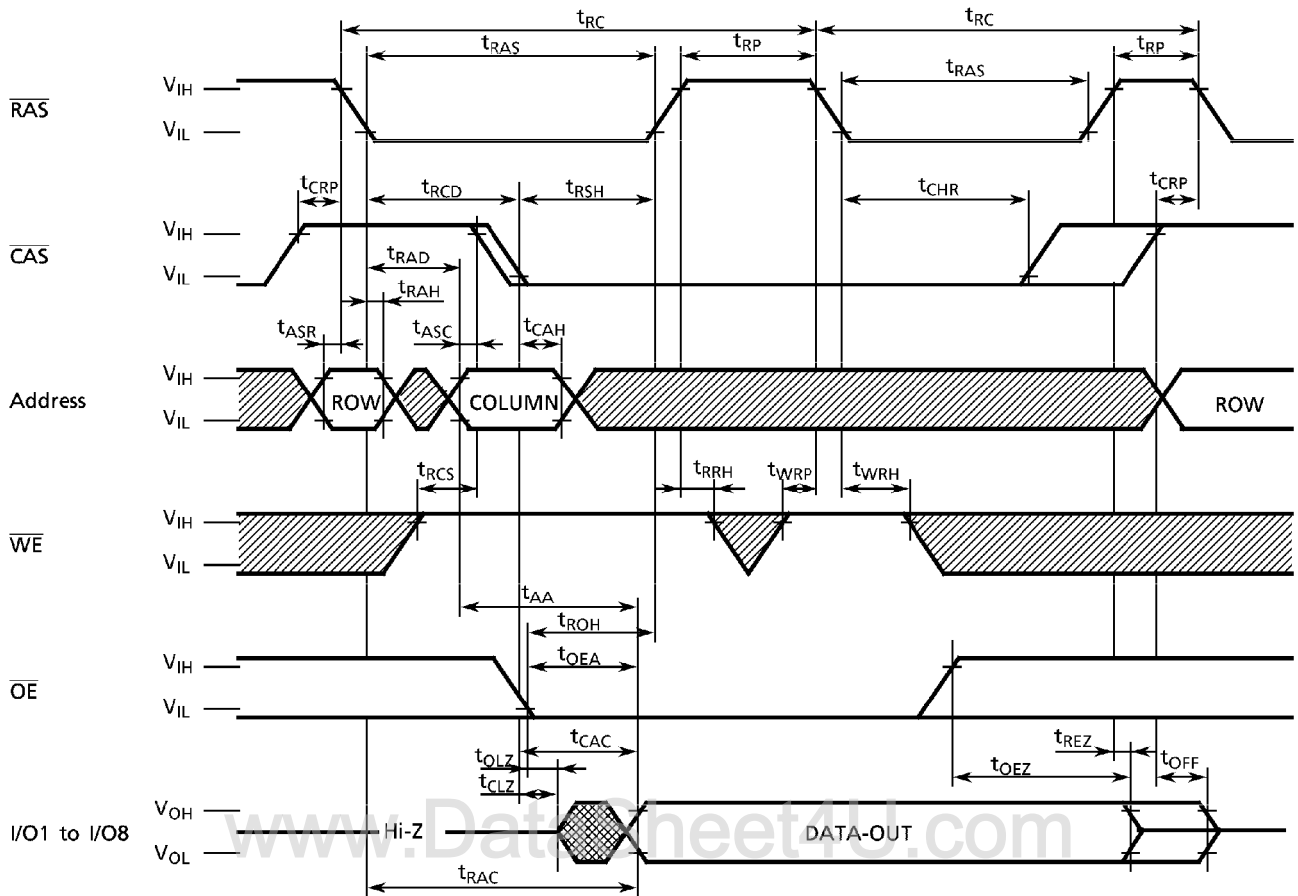

: H or L


CAS-BEFORE-RAS REFRESH CYCLE

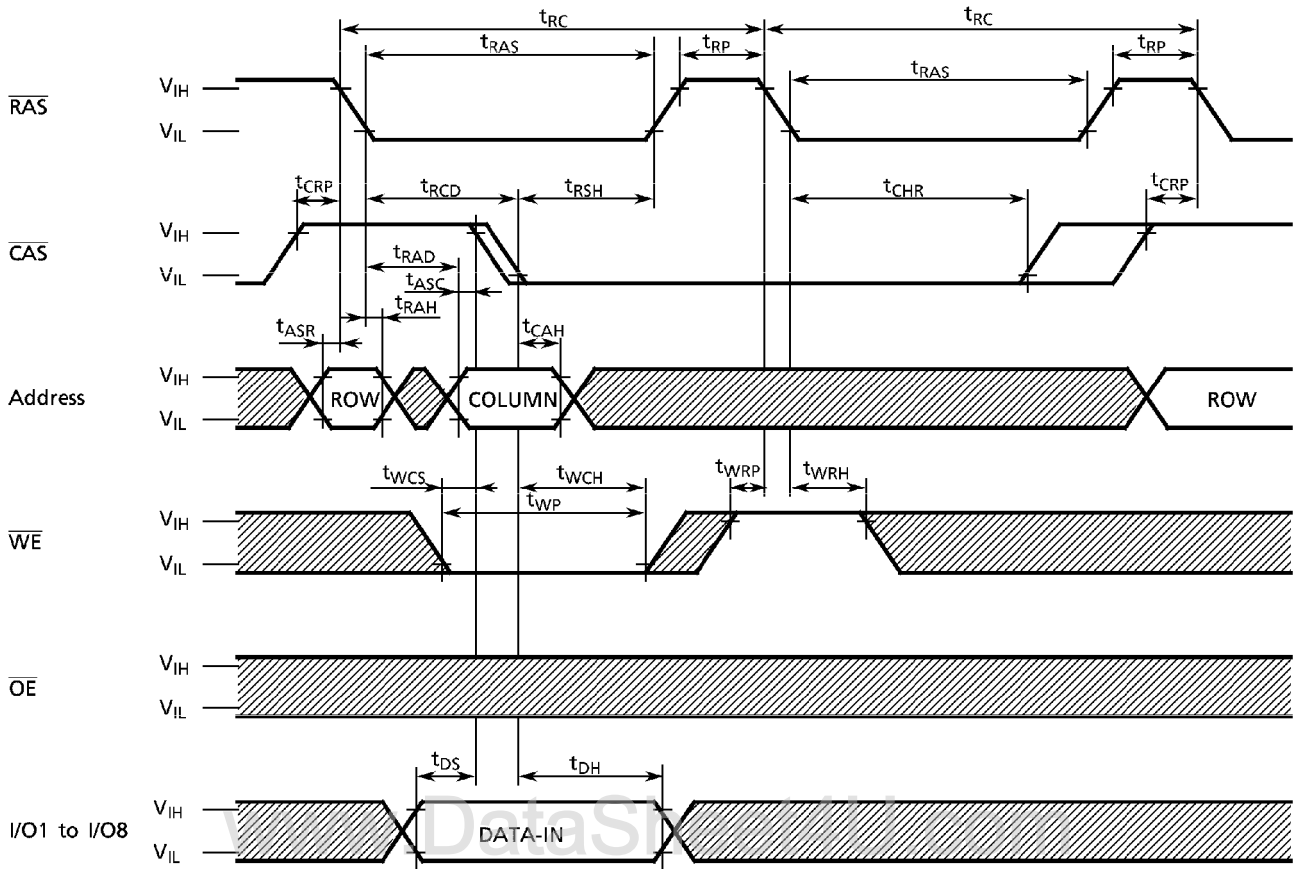


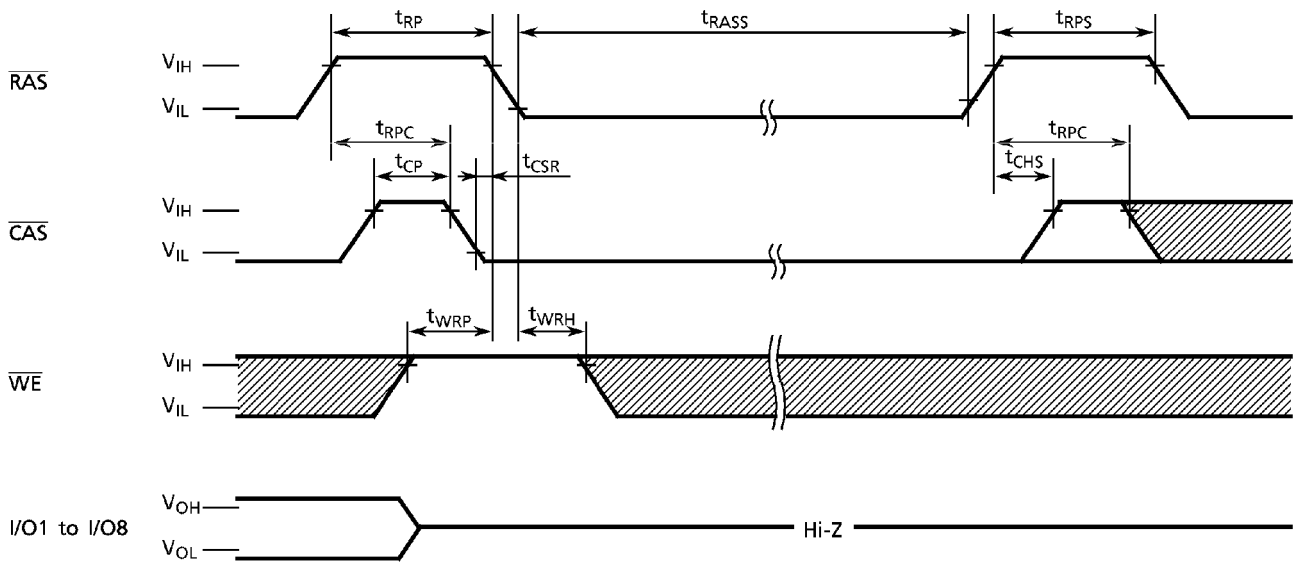
Note:  $D_{\text{IN}}$ ,  $\overline{\text{OE}}$  and Address = H or L

: H or L


**HIDDEN REFRESH CYCLE (READ)**Note:  $D_{IN} = \text{Hi-Z}$ 
 : H or L

 : Invalid Data

**HIDDEN REFRESH CYCLE (WRITE)**Note:  $D_{OUT} = \text{Hi-Z}$ 
 : H or L

**CAS-BEFORE-RAS SELF-REFRESH CYCLE (S-version only)**

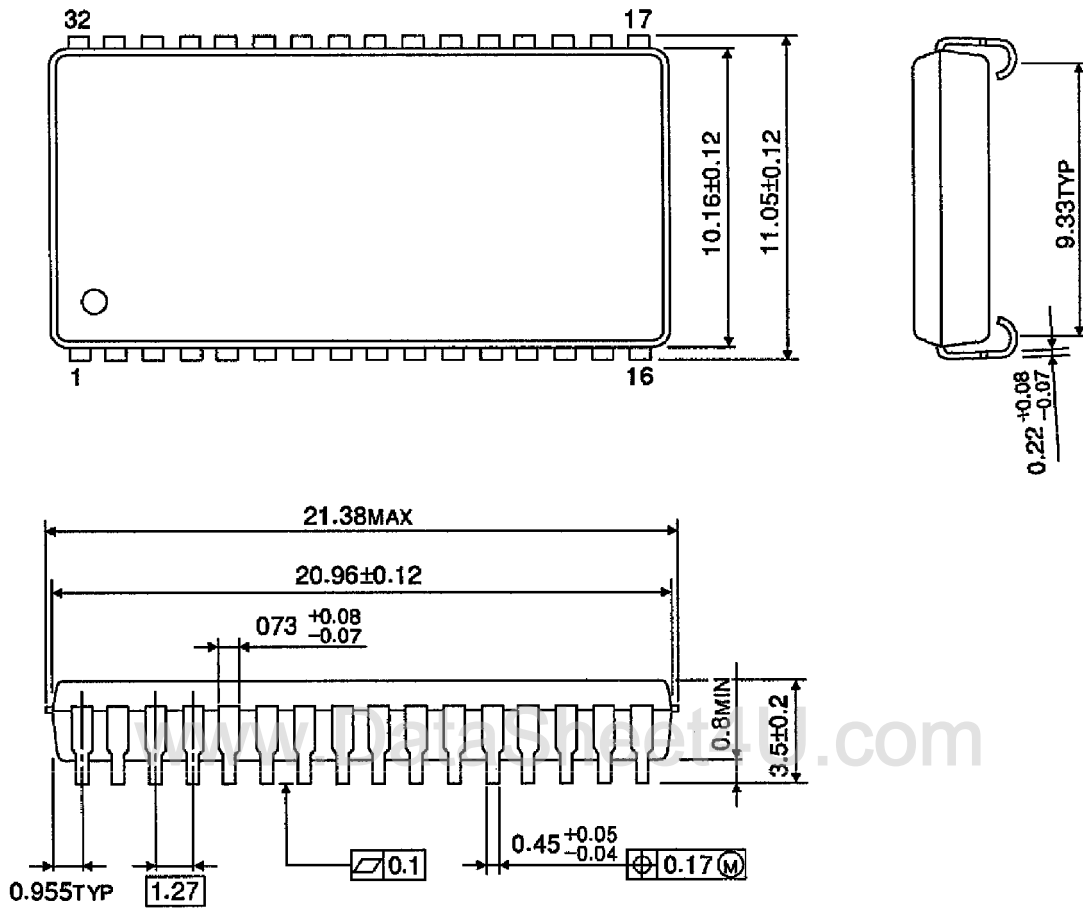
Note:  $D_{\text{IN}}$ ,  $\overline{\text{OE}}$  and Address = H or L

 : H or L

www.DataSheet4U.com

PACKAGE DIMENSIONS (SOJ32 – P – 400 – 1.27B)

Unit: mm



PACKAGE DIMENSIONS (TSOPII 32 - P - 400 - 1.27B)

Unit: mm

