



USB Speaker Controller with Class D Amp.

Preliminary

PT8915

DESCRIPTION

The PT8915 is a cost-efficient single chip for USB speaker application. It integrated USB controller, 16 bit audio DAC, line input and high power, high efficient Class-D audio amplifier in one chip. Only few external components needed in application circuits makes it suite for the USB powered speaker system.

The I/O interface is totally follow the USB audio class specification. No special driver software needs to install on user's computer and support most popular Operating System in the recent market. The PT8915 is a truly plug and play USB audio device. The embedded GPIO pins provide the mute and volume adjustment functions whatever the USB port is connected or not, Via the I²C pins. Vendor can store vendor specified VID, PID, LangID and string information in external EEPROM.

FEATURES

- Compliant with USB2.0 full speed specification.
- Compliant with USB Audio class specification.
- Compliant with USB HID class specification for volume and mute remote control.
- Supply voltage: 4.5~5.5V
- Build-in class-D audio amplifier with 2Watt output power for each channel.
(external power+4Ω speaker)
- Built-in PLL(48MHz for USB)
- Built-in USB/LINE IN function for selecting PC or external signal.
- Key pad control in USB and Line IN function for mute, volume up and volume down.
- I²C interface for optional external EEPROM to store vendor specified VID, PID, serial data and string information.
- Packages: 28 pins SOP

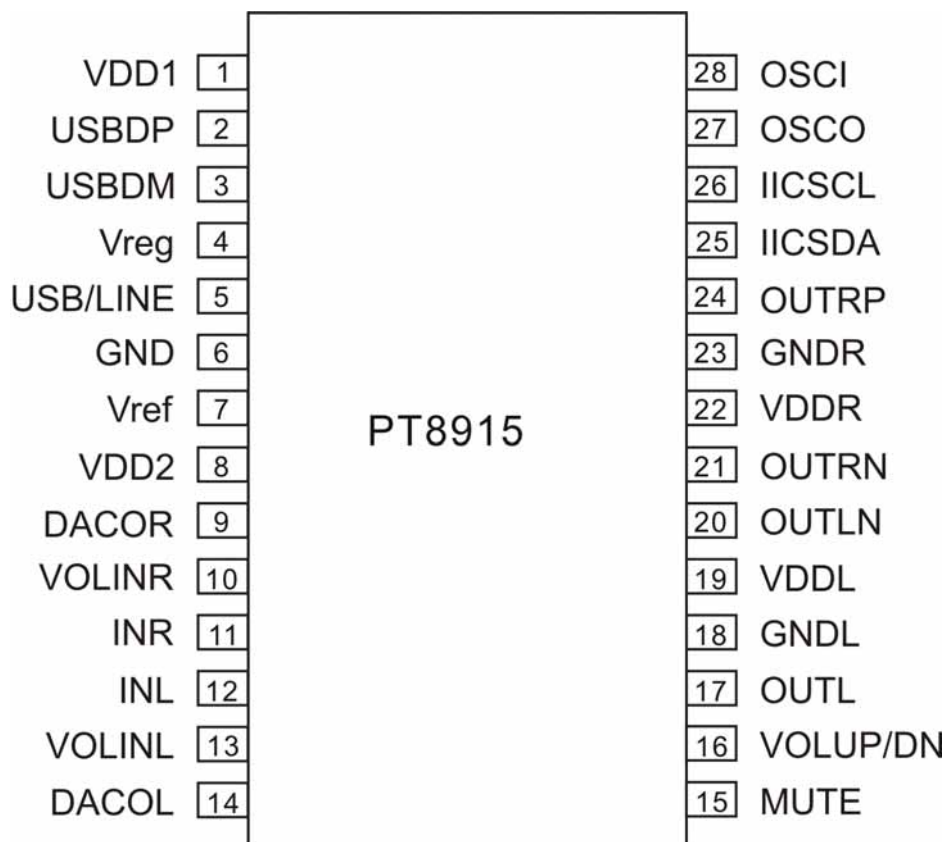
APPLICATION

- USB Speaker



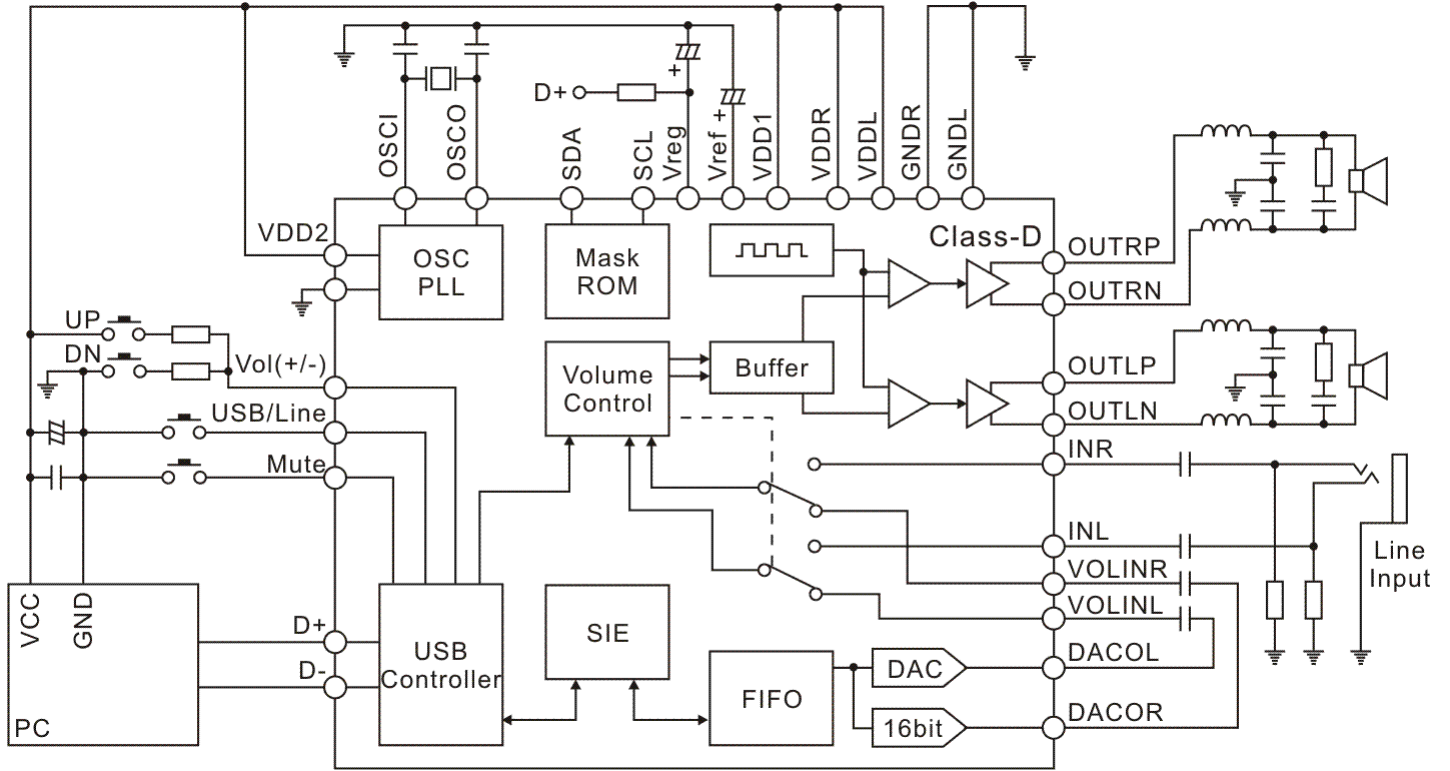


PIN CONFIGURATION





APPLICATION CIRCUITS





ORDER INFORMATION

Valid Part Number	Package Type	Top Code
PT8915-S (L)	28 Pins, SOP, 300mil	PT8915-S

Notes:

1. (L), (C) or (S) = Lead Free.
2. The Lead Free mark is put in front of the date code.

