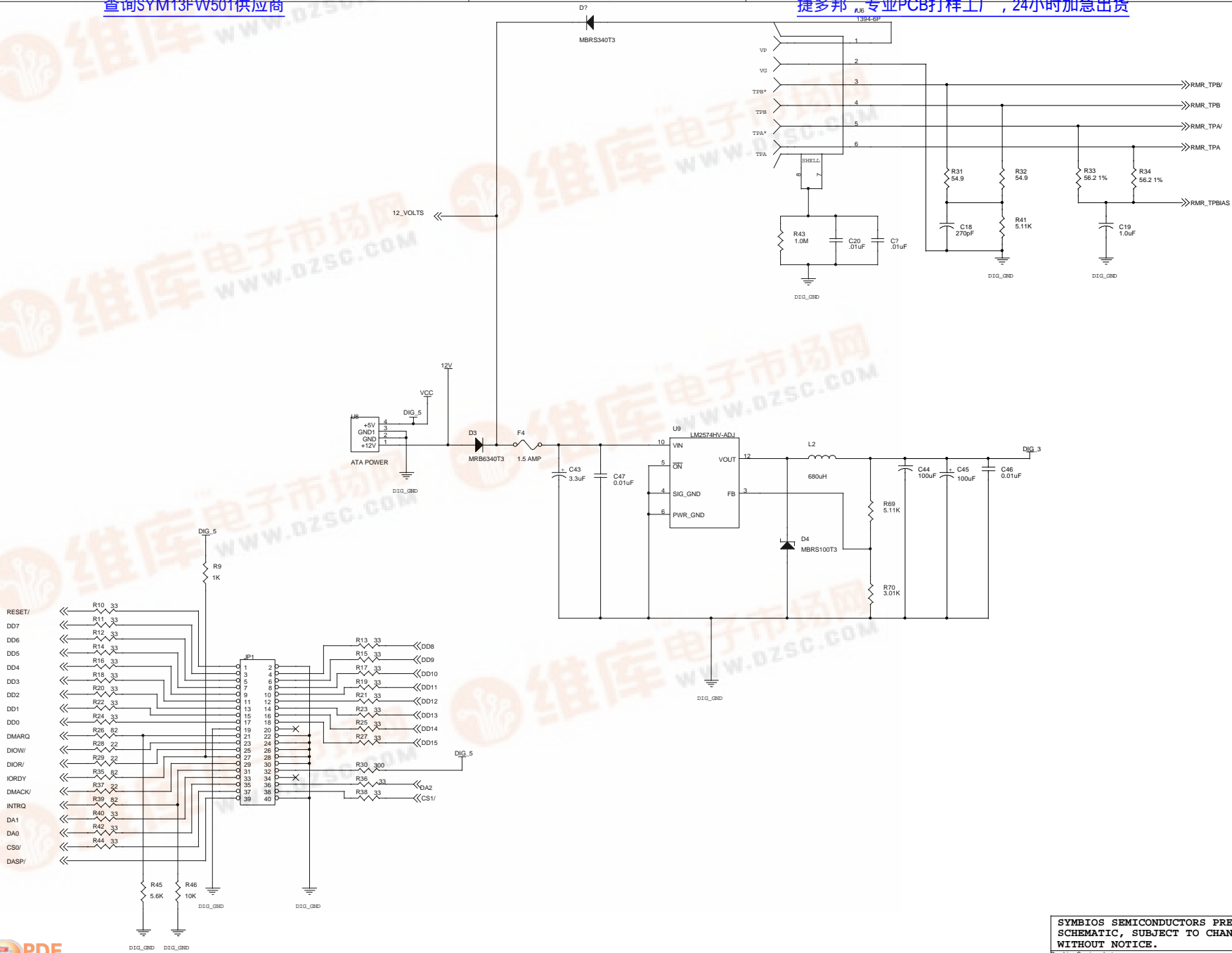


查询SYM13FW501供应商

捷多邦 专业PCB打样工厂, 24小时加急出货

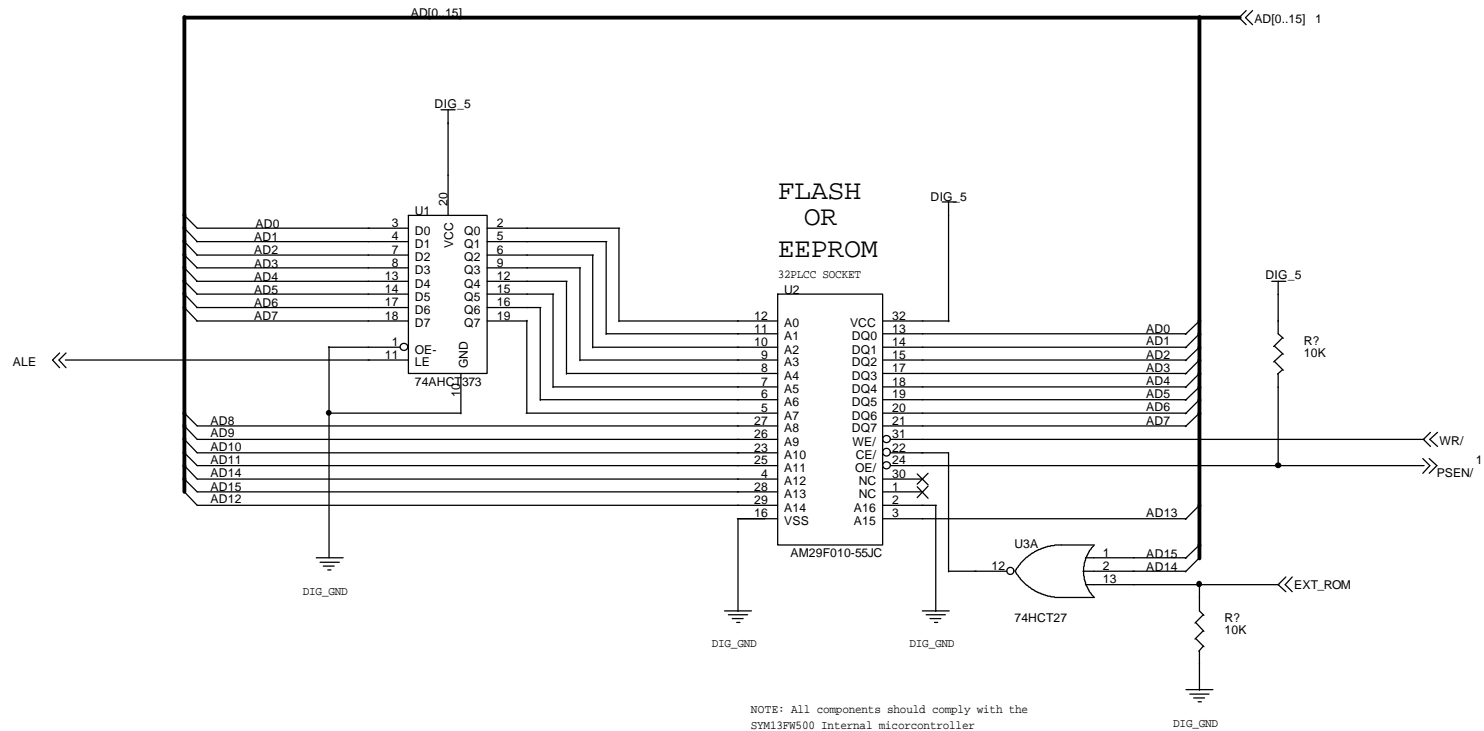


SYMBIOS SEMICONDUCTORS PRELIMINARY SCHEMATIC, SUBJECT TO CHANGE WITHOUT NOTICE.

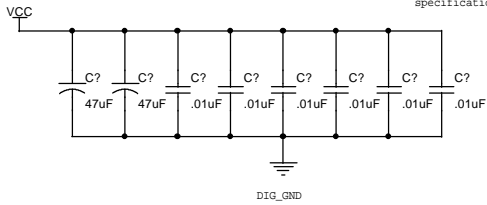
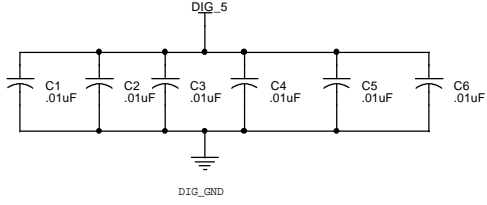
Symbios Semiconductors

Title	ATA, Power, Int PHY 1394 Connectors	
Size	Document Number	Rev
C	SYM13FW5000-4	B





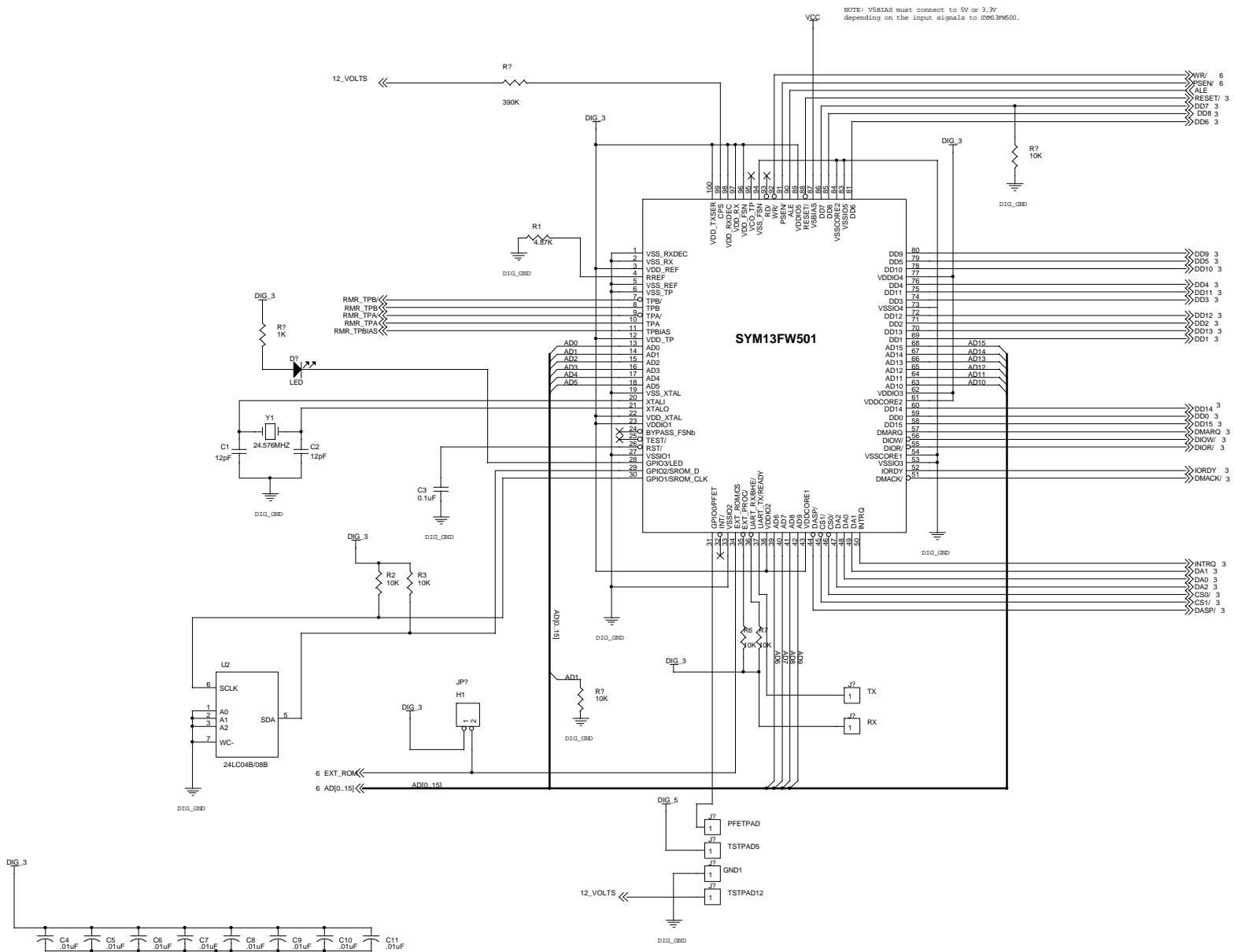
NOTE: All components should comply with the SYM13FW500 Internal microcontroller specifications



SYMBIOS SEMICONDUCTORS PRELIMINARY SCHEMATIC, SUBJECT TO CHANGE WITHOUT NOTICE.

Symbios Semiconductors

Title		
External ROM		
Size B	Document Number SYM13FW5001-3	Rev B
Date:	Wednesday, August 18, 1999	Sheet 3 of 4



SYMBIOS SEMICONDUCTORS PRELIMINARY SCHEMATIC, SUBJECT TO CHANGE WITHOUT NOTICE.

Symbios Semiconductors		
File	SYM13FW501	
Size	Document Number	Rev
C	SYM13FW501-2	B

A

B

C

D

E

Revision History

Creation - 6-18-99 CLS

4

4

3

3

2

2

1

1

SYMBIOS SEMICONDUCTORS PRELIMINARY SCHEMATIC, SUBJECT TO CHANGE WITHOUT NOTICE.

Symbios Semiconductors

Title
SYM13FW501 Evaluation Board

Size A	Document Number SYM13FW5001-1	Rev B
-----------	----------------------------------	----------



B

C

D

E