



LED Driver IC

PT6965

DESCRIPTION

PT6965 is an LED Controller driven on a 1/5 to 1/8 duty factor. 11 segment output lines, 4 grid output lines, 3 segment/grid output lines, one display memory, control circuit, key scan circuit are all incorporated into a single chip to build a highly reliable peripheral device for a single chip microcomputer. Serial data is fed to PT6965 via a four-line serial interface. Housed in a 30 pins SSOP, PT6965 pin assignments and application circuit are optimized for easy PCB Layout and cost saving advantages.

FEATURES

- CMOS Technology
- Low Power Consumption
- Multiple Display Modes (14 segment, 4 Grid to 11 segment, 7 Grid)
- Key Scanning (10 x 2 Matrix)
- 8-Step Dimming Circuitry
- Serial Interface for Clock, Data Input, Data Output, Strobe Pins and low voltage operation ability when user's MCU power supply is 3.3V.
- Available in 30 pins, SSOP

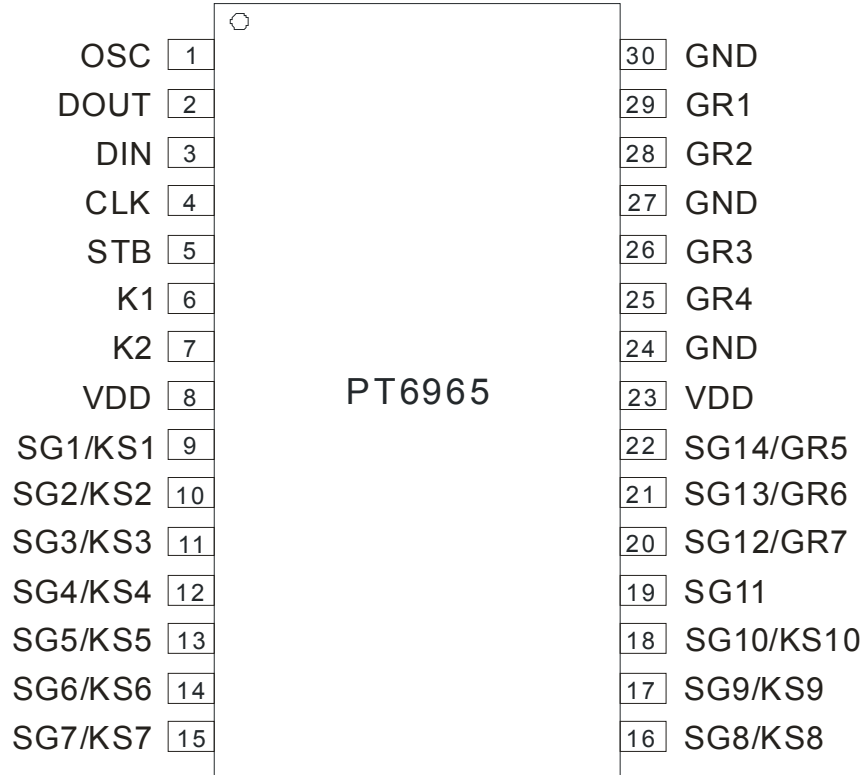
APPLICATIONS

- Micro-computer Peripheral Device
- VCR set
- Combo set



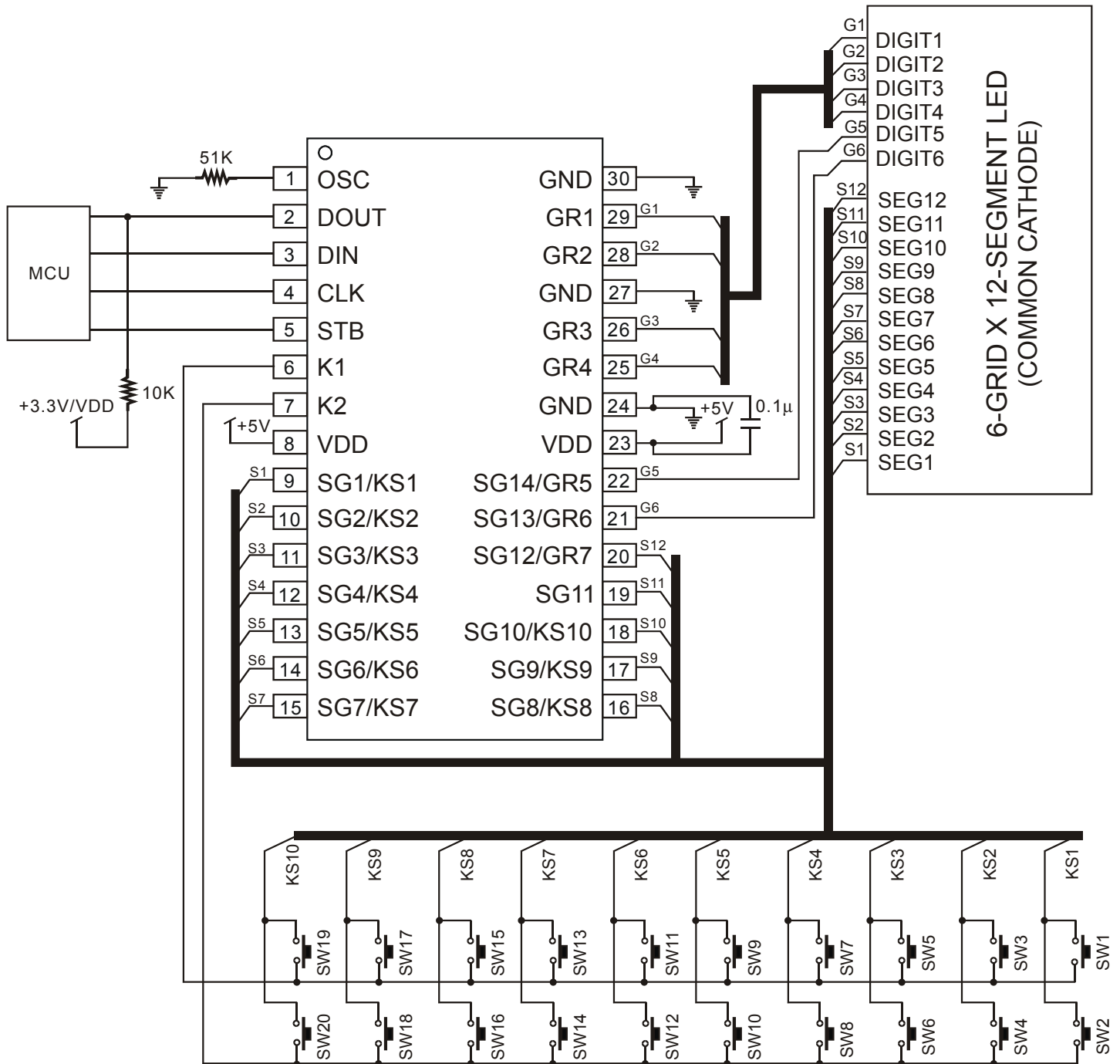


PIN CONFIGURATION





APPLICATION CIRCUIT



Notes:

1. The capacitor (0.1µF) connected between the GND and the VDD pins must be located as close as possible to the PT6965 chip.
2. The PT6965 power supply is separate from the application system power supply.





ORDER INFORMATION

Valid Part Number	Package Type	Top Code
PT6965-X	30 pins, SSOP, 209mil	PT6965-X
PT6965-X (L)	30 pins, SSOP, 209mil	PT6965-X

Notes:

1. (L), (C) or (S) = Lead Free.
2. The Lead Free mark is put in front of the date code.

