

AuthenTec EntréPad 2510



World's Most Proven, Flexible Slide Sensor
for the Wireless Market

The EntréPad 2510 is the industry's most proven and flexible slide sensor – combining advanced security and touch-powered features in a solution used in millions of today's most popular and innovative biometric cell phones and PDAs.

The popular sensor leverages AuthenTec's award-winning Power of Touch – enabling manufacturers to easily and cost-effectively add security, convenience, navigation and personalization controlled by the simple swipe of your finger.

The **EntréPad 2510** not only protects the phone and its stored information, but enables operators to provide new, profitable services such as mobile commerce and wireless banking. The sensor also allows manufacturers to easily add new features like gaming navigation, touch menu scrolling, multi-finger speed dialing, hot key application launch, favorite song and photo recall, and others that differentiate the phone and improve the user experience.

And, with its multiple system interfaces and wide pixel array, the **EntréPad 2510**, can be used on a variety of mobile platforms employing AuthenTec's TrueMatch or other third-party fingerprint matchers.

KEY FEATURES AND BENEFITS

SUPERIOR TECHNOLOGY

- TruePrint technology provides the most accurate fingerprint image.
- TrueMatch pattern matching technology ensures secure user authentication

THE POWER OF TOUCH

- Menu scrolling
- Personalized buddy lists
- Multi-finger speed dialing
- 3-D gaming quality navigation
- Convenient, secure web site access

UNPARALLELED SECURITY

- Pattern matching technology delivers the industry's best enroll, verify and reject performance (false accept/false reject)
- Secures handset from unauthorized use
- Protects private information, email and SMS messages and photos
- Enables mobile commerce and wireless banking applications
- Secure user storage at the swipe of your finger

LOW POWER

- Low power consumption saves battery life
- Reduced processor load for fast matching
- Low navigation current consumption

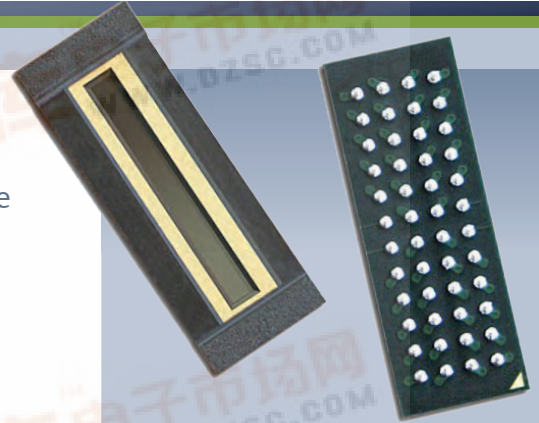
EASY TO USE

- Able to read virtually every fingerprint
- Fast swipe speed

DURABILITY

- Ultra hard surface coating withstands greater than 10 million rubs

- Low SOLUTION COST
- Highly integrated sensor
- Minimal bill of materials



SECURITY



CONVENIENCE

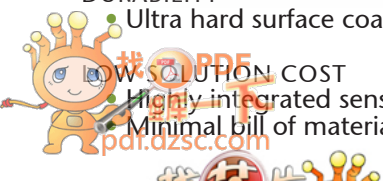


NAVIGATION



PERSONALIZATION

The Power of Touch



AuthenTec EntréPad 2510

THE AUTHENTEC DIFFERENCE

SUPERIOR TRUEPRINT AND TRUEMATCH TECHNOLOGIES

The EntréPad 2510 employs AuthenTec's award winning TruePrint® and TrueMatch technologies, the most accurate sensor and pattern matching technologies in the industry. These combined technologies capture the highest quality fingerprint images – resulting in significantly better performance than any other solution on the market today.

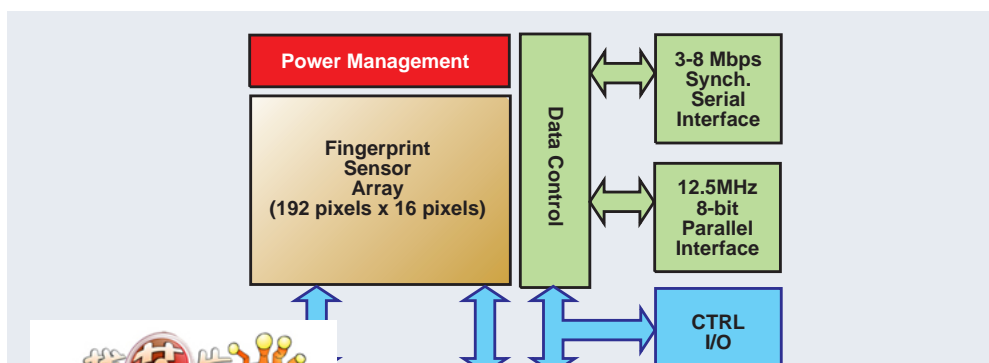
THE POWER OF TOUCH

AuthenTec's unique Power of Touch approach combines the most advanced security, with additional convenience, navigation and personalization functions controlled by the simple swipe of a finger. The Power of Touch enables wireless manufacturers to easily and cost-effectively add capabilities such as data protection, 3-D gaming navigation, touch menu scrolling, multi-finger speed dialing, hot key application launch, instant song or photo recall, and others.

EntréPad 2510 SPECIFICATIONS

High Performance Features	Advanced security Graphical navigation Unequaled "ability to acquire" Industry best FAR/FRR
Small Form Factors	48 Ball Grid Array (BGA) 13.8mm x 5 mm Thin package option – 1.3mm Thick package option – 1.96mm
Robust Packaging	Scratch and impact resistant Ultra hard surface coating withstands greater than 10 million rubs Silver or gold drive ring RoHS compliant / Lead free
Detection Matrix	192 x 16 pixels @ 500 ppi 9.75mm x 0.81mm array size
SelectaBus	8-bit parallel bus Synchronous serial bus Master and slave modes Master mode supports DMA
Operating Voltage Range	2.4V-3.6V single supply
Operating Temperature	-20C to +70C
Current Consumption @ 2.5V	Advanced power management 35mA imaging 3.0mA navigation mode
ESD Resistance	IEC 61000-4-2 Level 4 (+/- 15KV)
Supported Operating Systems	Symbian Microsoft Windows Mobile Linux Qualcomm REX Custom native applications

EntréPad 2510 APPLICATION BLOCK DIAGRAM



THE AUTHENTEC TOTAL SOLUTION

AuthenTec offers the most complete and flexible solution to enable manufacturers to design in advanced biometric fingerprint sensors. Our total solution approach includes a complete family of sensors; hardware and software kits for easy evaluation and integration; proven solutions from more than 50 hardware, software and design partners; and end-to-end integration support from an experienced technical staff.

CONTACT US

NORTH AMERICA

AuthenTec | U.S. Headquarters
709 South Harbor City Blvd.
Melbourne, FL 32901 USA
phone: 321-308-1300

San Jose, CA

phone: 408-879-2383

EUROPE

Germany | Munich

phone: 49 (8444) 918290

ASIA

China | Asia Headquarters
4000 Wen Xiang Road
Songjiang Shanghai 201616
phone: 86-21-5776-3300

Japan | Tokyo

phone: 81-80-5026-9710

Taiwan | Taipei

phone: 886-2-8758 2719

Korea | Seoul

phone: 82-11-380-6164

WORLDWIDE REPRESENTATIVES NETWORK

A complete listing of AuthenTec's network of representatives is available on our web site.

www.authentec.com

