

Tiny Package, High Performance, Constant Current Switching Regulator for White LED

General Description

The RT9284A/B is a compact, high efficient and high integration LED driver. Internal 22V MOSFET can support 2 to 5 White LEDs for backlighting and camera flashing.

Highly integration and internal compensation network minimizes as 5 external component counts. Optimized operation frequency can meet the requirement of small LC filters value and low operation current with high efficiency. Internal soft start function can reduce the inrush current. Tiny package type of TSOT-23-5 and TSOT-23-6 packages provide the best solution for PCB space saving and total BOM cost.

Ordering Information

RT9284□(-□□)□□E

- Package Type
J5 : TSOT-23-5
J6 : TSOT-23-6
- Operating Temperature Range
P : Pb Free with Commercial Standard
G : Green (Halogen Free with Commercial Standard)
- OVP Voltage
15 : 15V
20 : 20V
- FB Voltage
A : 1.235V
B : 0.25V

Note :

RichTek Pb-free and Green products are :

- ▶RoHS compliant and compatible with the current requirements of IPC/JEDEC J-STD-020.
- ▶Suitable for use in SnPb or Pb-free soldering processes.
- ▶100% matte tin (Sn) plating.

Marking Information

For marking information, contact our sales representative directly or through a RichTek distributor located in your area, otherwise visit our website for detail.

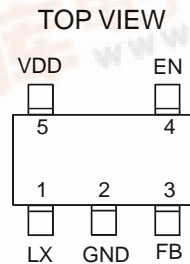
Features

- V_{IN} Operating Range : 2.7V to 5.5V
- Maximum Output Voltage up to 20V
- Dimming with Zero-inrush and Wide Frequency Range
- Over Voltage Protection
- Output Current up to 100mA at $V_{OUT} = 12V$.
- Zero Shutdown Supply Current
- Minimize the External Component
- Small LC Filter
- Internal Soft Start
- RoHS Compliant and 100% Lead (Pb)-Free

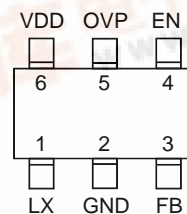
Applications

- Camera Flash White LED
- Mobile Phone, Smart Phone LED Backlight
- PDA LED Backlight
- Digital Still Camera
- Camcorder

Pin Configurations



TSOT-23-5



TSOT-23-6

Note : There is no pin1 indicator on top mark for TSOT-23-6 type, and pin 1 will be lower left pin when reading top mark from left to right.



Typical Application Circuit

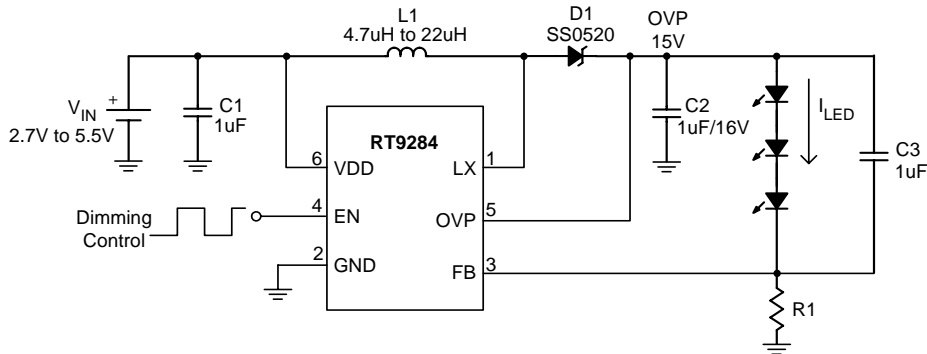


Figure 1. Application for Driving 3 Series WLEDs

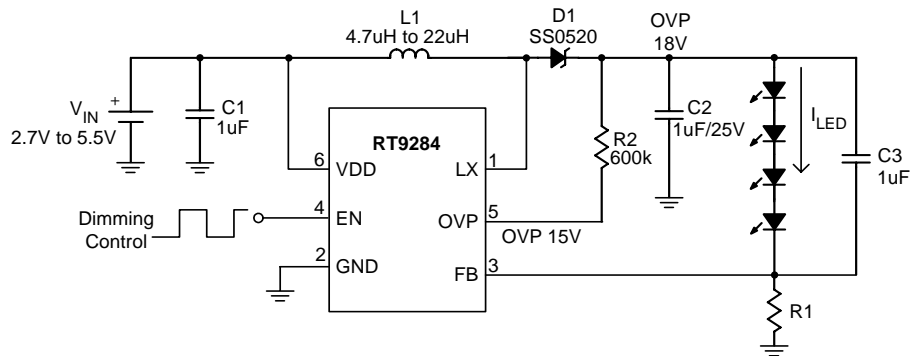


Figure 2. Application for Driving 4 Series WLEDs

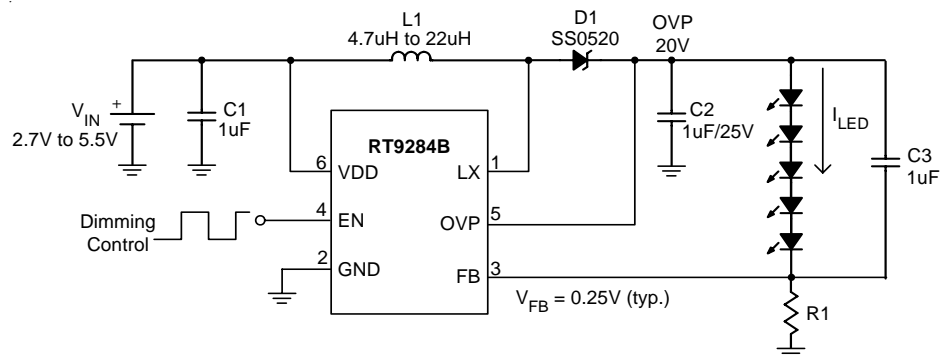


Figure 3. Application for Driving 5 Series WLEDs

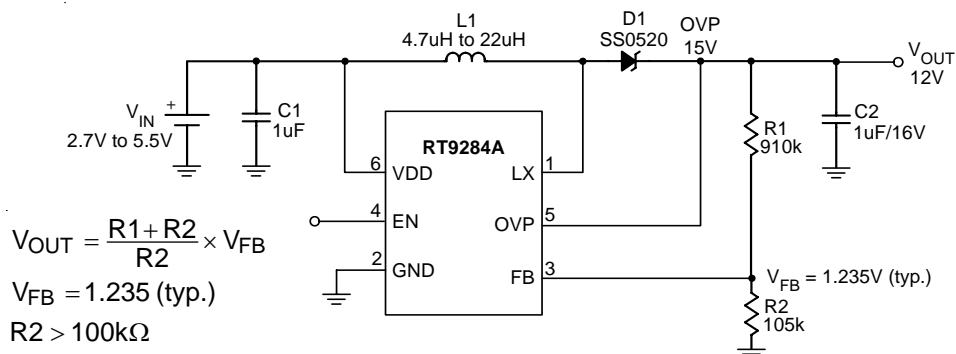


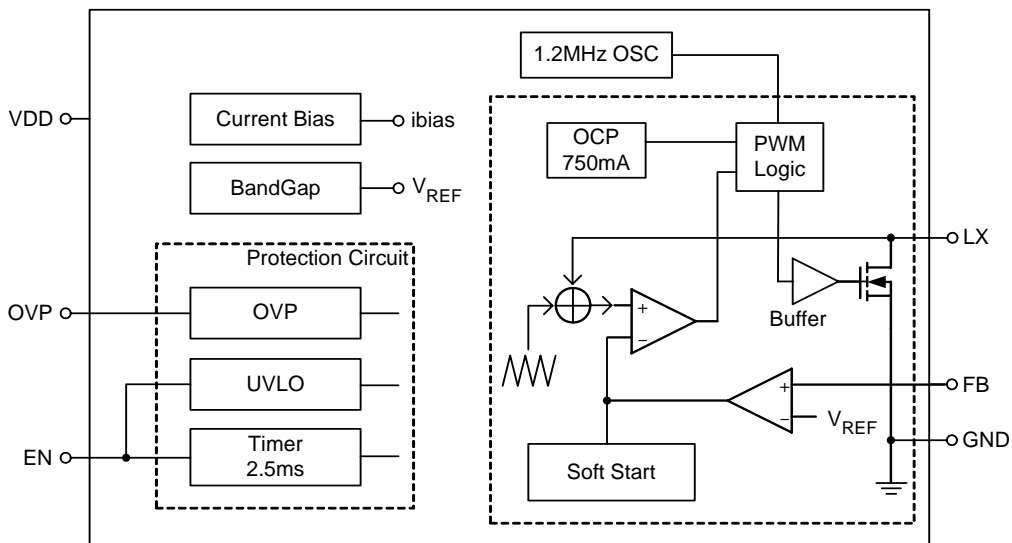
Figure 4. Application for Constant Output Voltage



Pin Description

TSOT-23-5	TSOT-23-6	Pin Name	Pin Function
1	1	LX	Switch Pin. Connect this Pin to inductor and catch diode. Minimize the track area to reduce EMI.
2	2	GND	Ground Pin
3	3	FB	Feedback Reference Voltage Pin. Series connect a resistor between WLED and ground as a current sense. Sense the current feedback voltage to set the current rating.
4	4	EN	Chip Enable (Active High). Voltage sensing input to trigger the function of over voltage protection. Note that this pin is high impedance. There should be a pull low 100kΩ resistor connected to GND when the control signal is floating.
--	5	OVP	Over Voltage Protection Pin. Voltage sensing input to trigger the function of over voltage protection. Leave it unconnected to disable this function.
5	6	VDD	Supply Input Voltage Pin. Bypass 1uF capacitor to GND to reduce the input noise.

Function Block Diagram



Absolute Maximum Ratings (Note 1)

- Supply Input Voltage ----- -0.3V to 7V
- LX Input Voltage ----- -0.3V to 22V
- OVP Voltage ----- -0.3V to 22V
- The Other Pins ----- -0.3V to 6V
- Power Dissipation, P_D @ $T_A = 25^\circ\text{C}$
 - TSOT-23-5 ----- 0.455W
 - TSOT-23-6 ----- 0.455W
- Package Thermal Resistance (Note 4)
 - TSOT-23-5, θ_{JA} ----- 220°C/W
 - TSOT-23-6, θ_{JA} ----- 220°C/W
- Lead Temperature (Soldering, 10 sec.) ----- 260°C
- Junction Temperature ----- 150°C
- Storage Temperature Range ----- -65°C to 150°C
- ESD Susceptibility (Note 2)
 - HBM (Human Body Mode) ----- 2kV
 - MM (Machine Mode) ----- 200V

Recommended Operating Conditions (Note 3)

- Junction Temperature Range ----- -40°C to 125°C
- Ambient Temperature Range ----- -40°C to 85°C

Electrical Characteristics

($V_{IN} = 3.7\text{V}$, $T_A = 25^\circ\text{C}$ unless otherwise specified)

Parameter	Symbol	Test Condition	Min	Typ	Max	Units
System Supply Input						
Operation Voltage Range	V_{DD}		2.7	--	5.5	V
Under Voltage Lock Out	V_{DD}		1.8	2.2	2.5	V
Quiescent Current	I_{DD}	FB = 1.5V, No switch	50	300	1000	μA
Supply Current	I_{DD}	FB = 0V, Switch	0.1	2	3	mA
Shut Down Current	I_{DD}	$V_{EN} < 0.4\text{V}$	--	--	1	μA
Line Regulation		$V_{IN} = 3.0$ to 4.3V	--	3	--	%
Oscillator						
Operation Frequency	f_{osc}		0.9	1.2	1.5	MHz
Maximum Duty Cycle			85	--	--	%
Reference Voltage						
Feedback Voltage (Note 5)	RT9284A		1.173	1.235	1.296	V
	RT9284B		0.237	0.25	0.263	V

To be continued



Parameter	Symbol	Test Condition	Min	Typ	Max	Units
MOSFET						
On Resistance of MOSFET	$R_{DS(ON)}$		--	0.75	--	Ω
Protection						
OVP Threshold	V_{OVP}	for 2,3,4 WLEDs application	14	15	16	V
		for 5 WLEDs application	19	20	21	V
OVP Sink Current			--	5	--	μA
OCP			--	750	--	mA
Shut Down Voltage	V_{EN}		--	--	0.4	V
Enable Voltage	V_{EN}		1.5	--	--	V

Note 1. Stresses listed as the above “Absolute Maximum Ratings” may cause permanent damage to the device. These are for stress ratings. Functional operation of the device at these or any other conditions beyond those indicated in the operational sections of the specifications is not implied. Exposure to absolute maximum rating conditions for extended periods may remain possibility to affect device reliability.

Note 2. Devices are ESD sensitive. Handling precaution recommended.

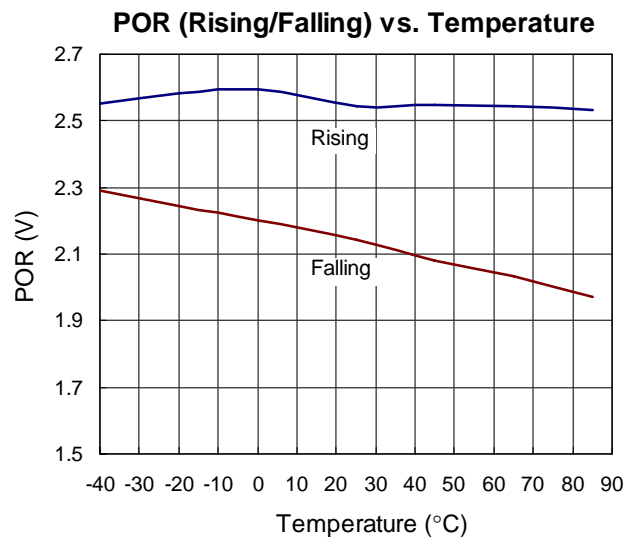
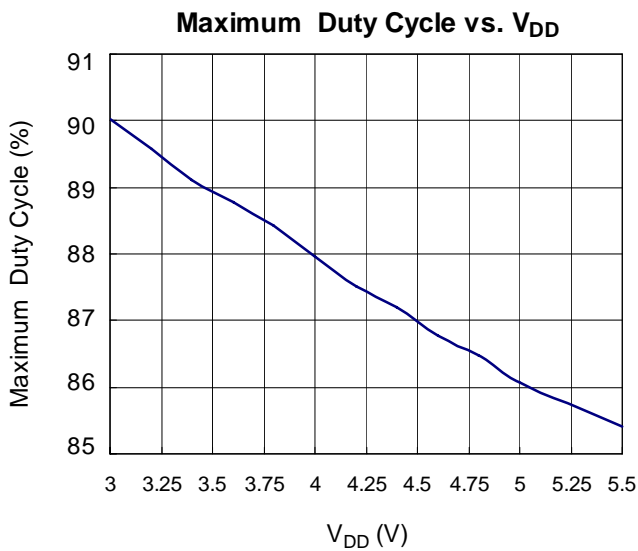
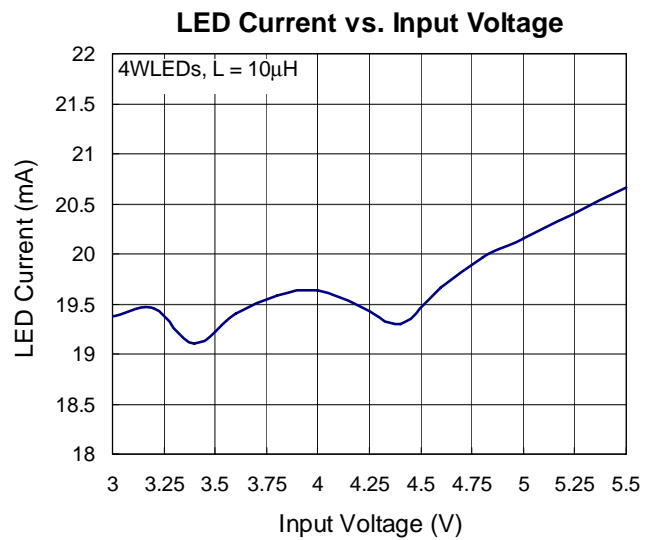
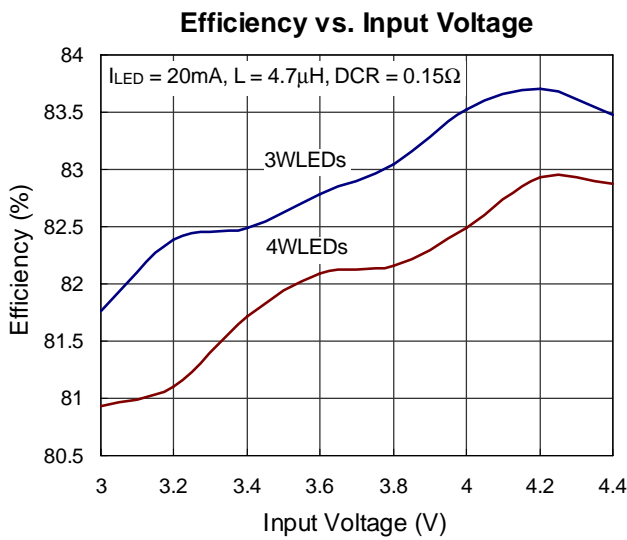
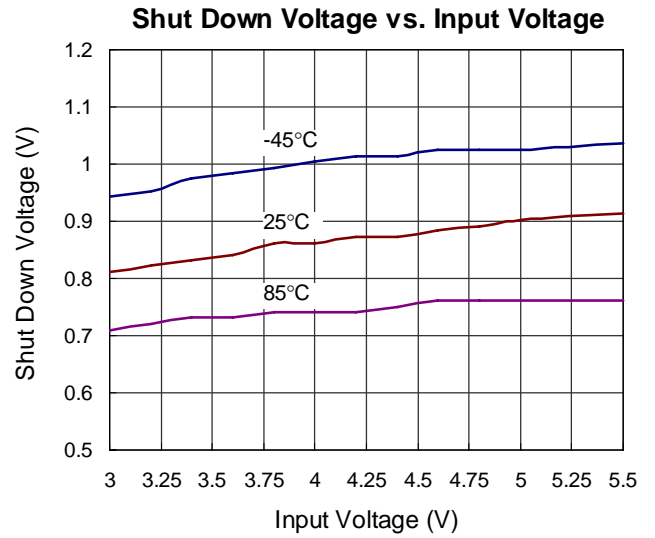
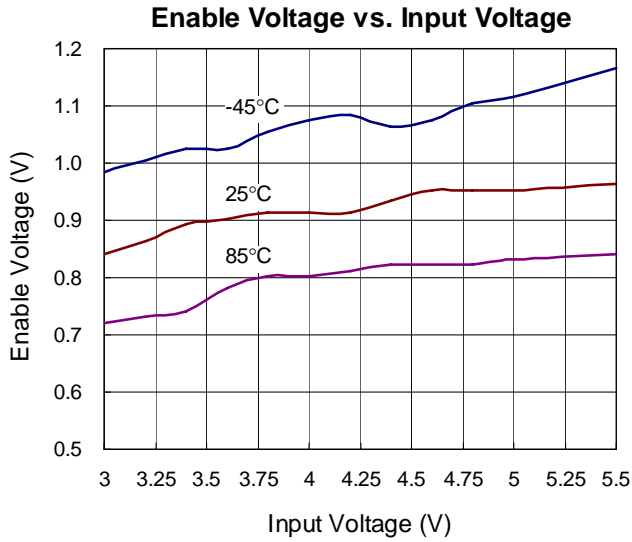
Note 3. The device is not guaranteed to function outside its operating conditions.

Note 4. θ_{JA} is measured in the natural convection at $T_A = 25^\circ C$ on a low effective thermal conductivity test board of JEDEC 51-3 thermal measurement standard.

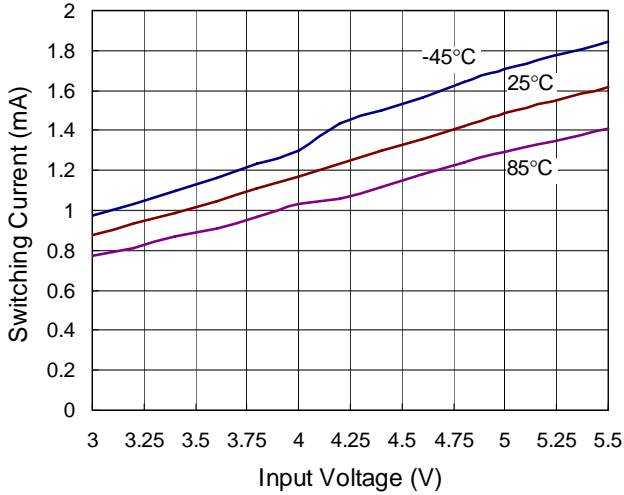
Note 5. Floating the OVP pin to disable OVP function.



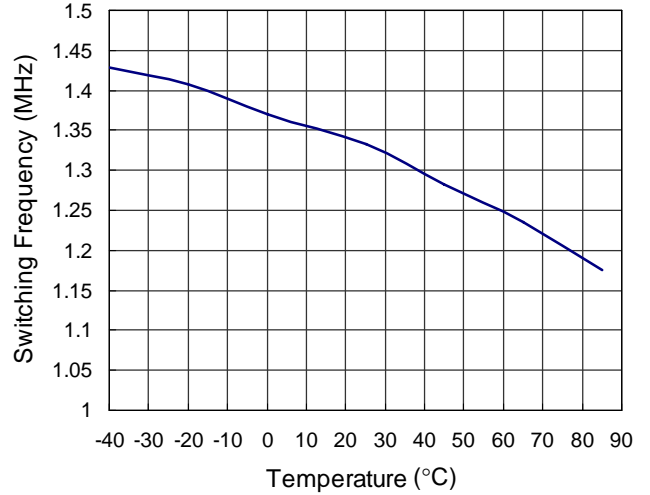
Typical Operating Characteristics



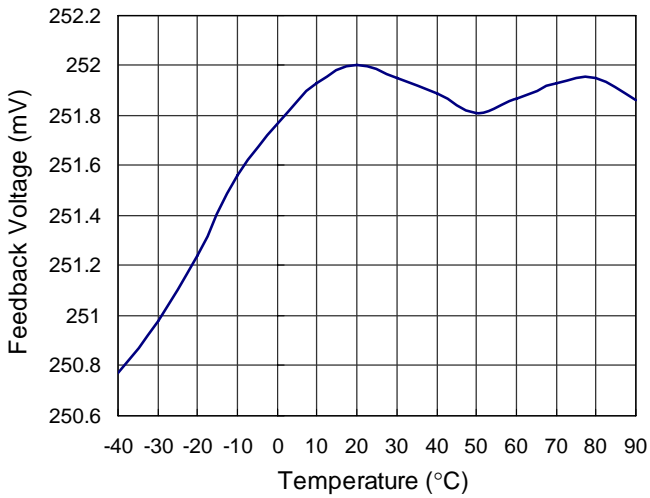
Switching Current vs. Input Voltage



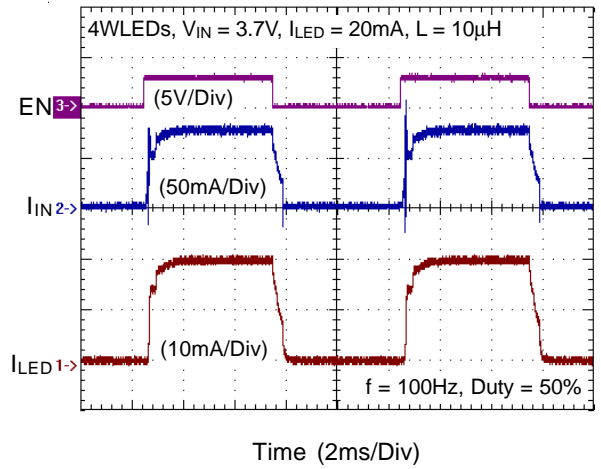
Switching Frequency vs. Temperature



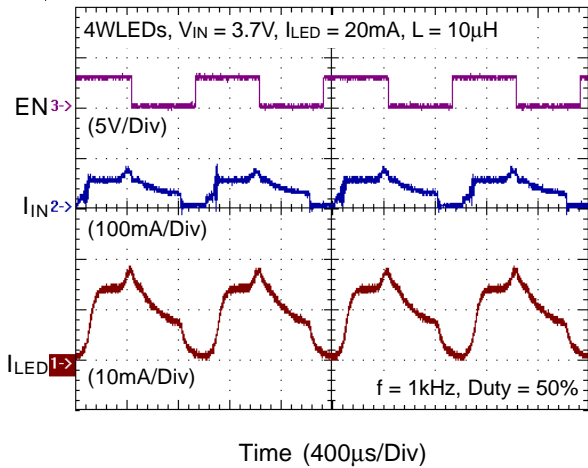
Feedback Voltage vs. Temperature



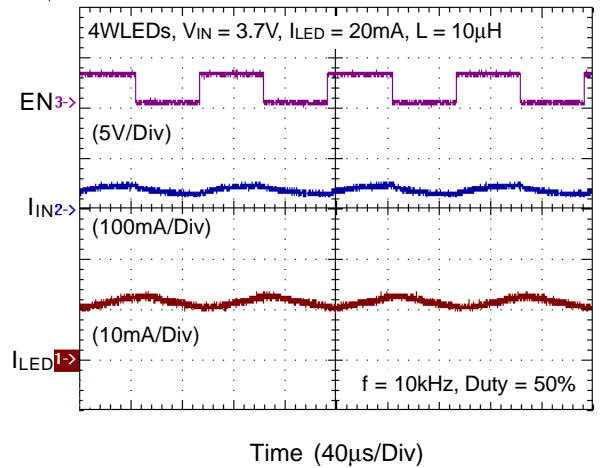
Dimming Operation



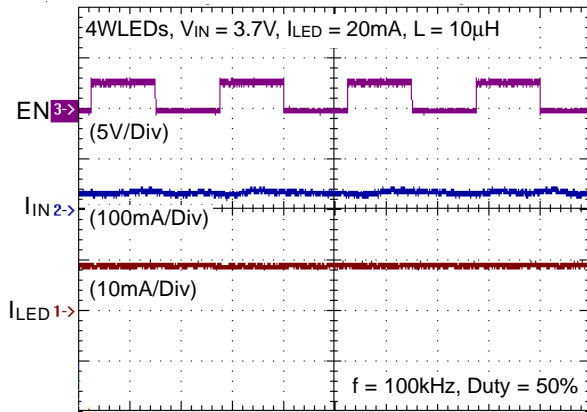
Dimming Operation



Dimming Operation

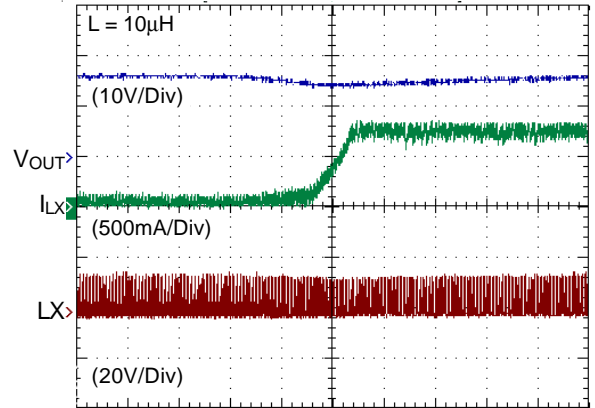


Dimming Operation



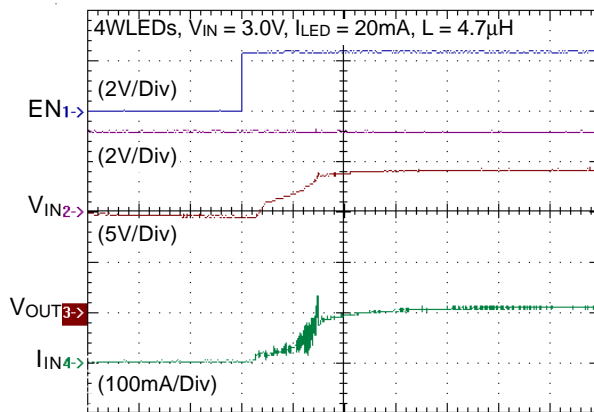
Time (4 μ s/Div)

OCP



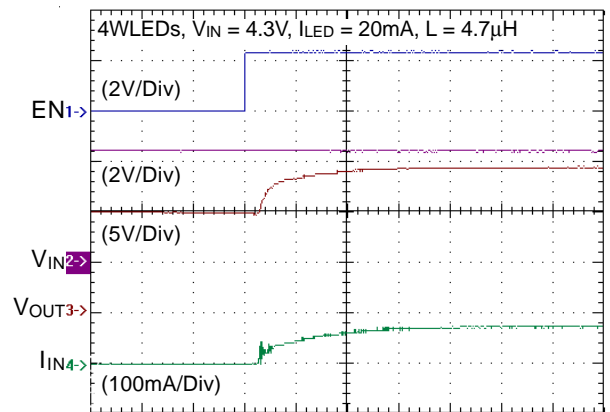
Time (25 μ s/Div)

Inrush Current



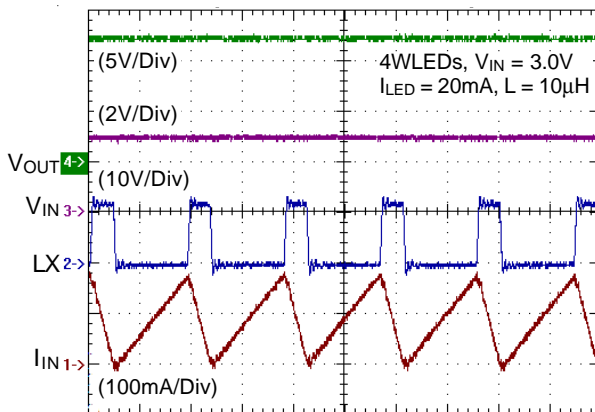
Time (500 μ s/Div)

Inrush Current



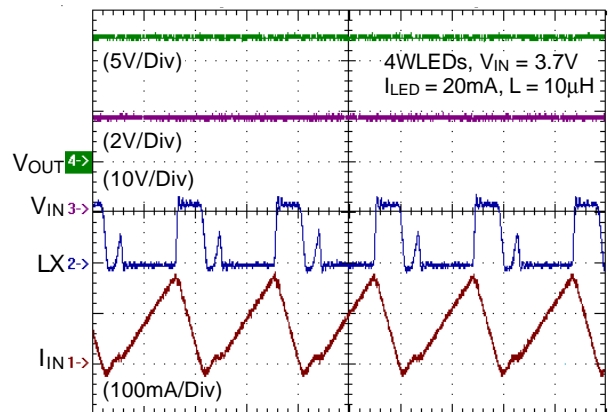
Time (500 μ s/Div)

Normal Operation



Time (400ns/Div)

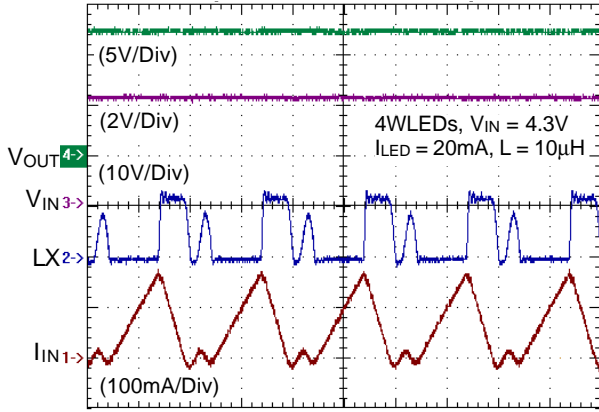
Normal Operation



Time (400ns/Div)

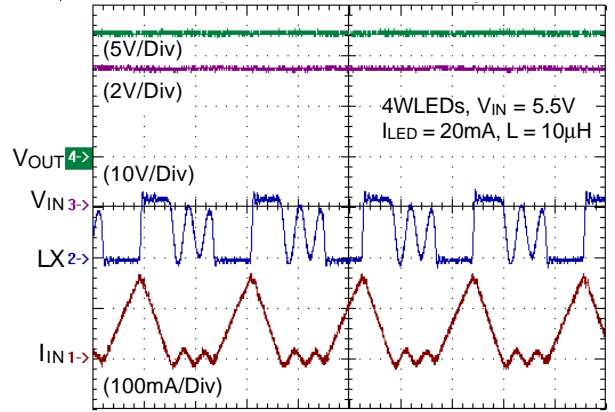


Normal Operation



Time (400ns/Div)

Normal Operation



Time (400ns/Div)



Application Information

LED Current Control

The RT9284A/B regulates the LED current by setting the current sense resistor (R1) connecting to feedback and ground. As shown in Table 1, the RT9284A feedback voltage (V_{FB}) is 1.235V and the RT9284B feedback voltage (V_{FB}) is 0.25V. The LED current (I_{LED}) can be set by a resistor R1. In order to have an accurate LED current, a precision resistor is preferred (1% is recommended).

Table 1

Version	Feedback Reference Voltage V_{FB} (V)	LED Current Setting I_{LED} (A)
RT9284A	1.235	$I_{LED} = 1.235/R1$
RT9284B	0.25	$I_{LED} = 0.25/R1$

Dimming Control

a. Using a PWM Signal to EN Pin

For controlling the LED brightness, the RT9284A/B can perform the dimming control by applying a PWM signal to EN pin. The internal soft start and the wide range dimming frequency can eliminate inrush current and audio noise when dimming. The average LED current is proportional to the PWM signal duty cycle. The magnitude of the PWM signal should be higher than the maximum enable voltage of EN pin, in order to let the dimming control perform correctly for preventing the flicker issue, the suggested PWM frequency is $\geq 1\text{kHz}$ or $\leq 200\text{Hz}$.

b. Using a DC Voltage

Using a variable DC voltage to adjust the brightness is a popular method in some applications. The dimming control using a DC voltage circuit is shown in Figure 5. According to the Superposition Theorem, as the DC voltage increases, the voltage contributed to V_{FB} increases and the voltage drop on R2 decreases, i.e. the LED current decreases. For example, if the V_{DC} range is from 0V to 2.8V, the selection of resistors in Figure 5 sets dimming control of LED current from 20mA to 0mA.

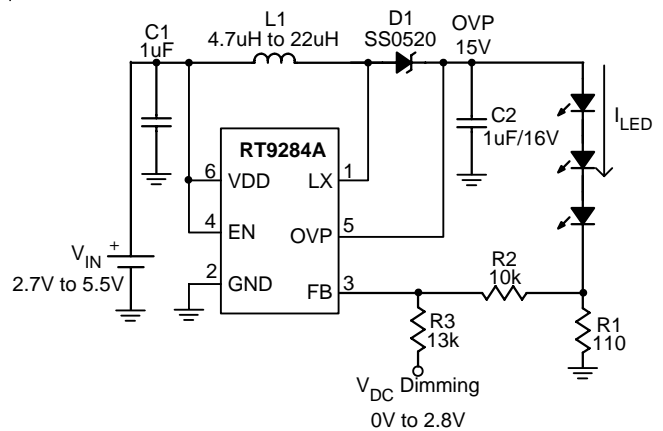


Figure 5. Dimming Control Using a DC Voltage for RT9284A

c. Using a Filtered PWM signal :

Another common application is using a filtered PWM signal as an adjustable DC voltage for LED dimming control. A filtered PWM signal acts as the DC voltage to regulate the output current. The recommended application circuit is shown in the Figure 6. In this circuit, the output ripple depends on the frequency of PWM signal. For smaller output voltage ripple ($<100\text{mV}$), the recommended frequency of 2.8V PWM signal should be above 2kHz. To fix the frequency of PWM signal and change the duty cycle of PWM signal can get different output current as Figure 7. According to the application circuit of Figure 6, output current is from 18.7mA to 1.16mA by adjusting the PWM duty cycle from 5% to 95%.

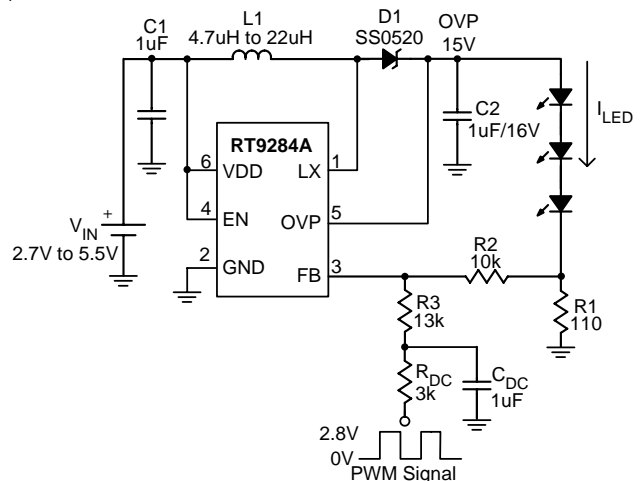


Figure 6. Filtered PWM Signal for LED Dimming Control of RT9284A





Figure 7

Inductor Selection

The recommended value of inductor for 3 to 5 WLEDs applications are 4.7 to 22μH. Small size and better efficiency are the major concerns for portable device, such as RT9284A/B used for mobile phone. The inductor should have low core loss at 1.2MHz and low DCR for better efficiency. To avoid inductor saturation current rating should be considered.

Capacitor Selection

Input and output ceramic capacitors of 1μF are recommended for RT9284A/B applications. For better voltage filtering, ceramic capacitors with low ESR are recommended. X5R and X7R types are suitable because of their wider voltage and temperature ranges.

Diode Selection

Schottky diode is a good choice for RT9284A/B because of its low forward voltage drop and fast reverse recovery.

Using Schottky diode can get better efficiency. The high-speed rectification is also a good characteristic of Schottky diode for high switching frequency. Current rating of the diode must meet the root mean square of the peak current and output average current multiplication as following :

$$I_D(RMS) \approx \sqrt{I_{OUT} \times I_{PEAK}}$$

The diode's reverse breakdown voltage should be larger than the output voltage. SS0520 is recommended Schottky diode for rectifier.

Layout Guide

- ▶ A full GND plane without gap break.
- ▶ VCC to GND noise bypass—Short and wide connection for the 1μF MLCC capacitor between Pin6 and Pin2.
- ▶ Minimized LX node copper area to reduce EMI.
- ▶ Minimized FB node copper area and keep far away from noise sources.

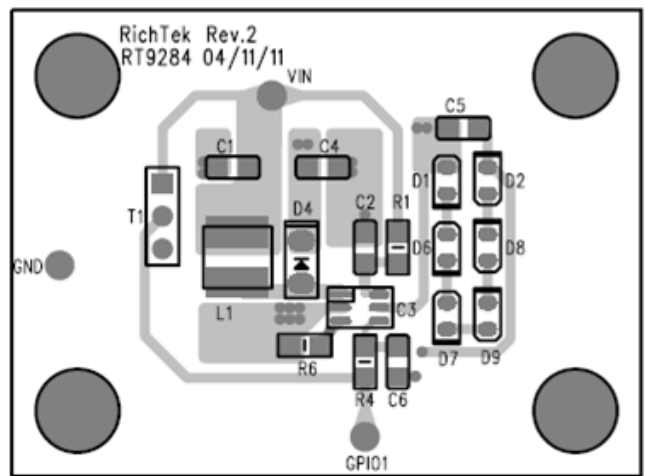


Figure 8. Top Layer

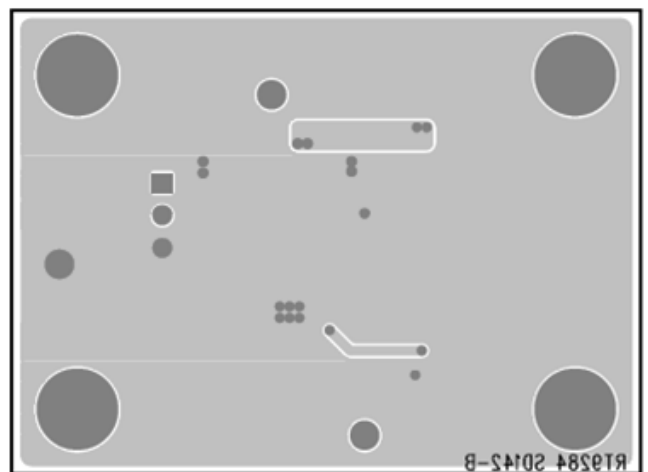
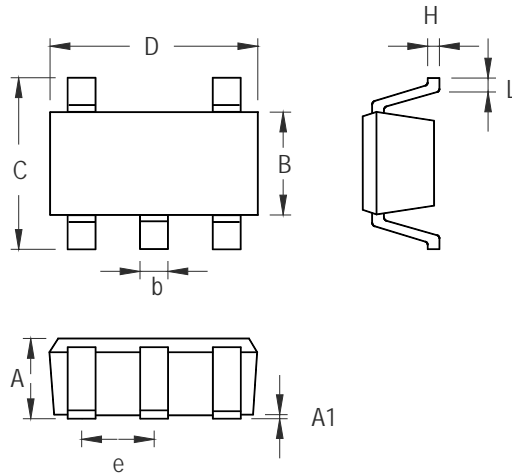


Figure 9. Bottom Layer

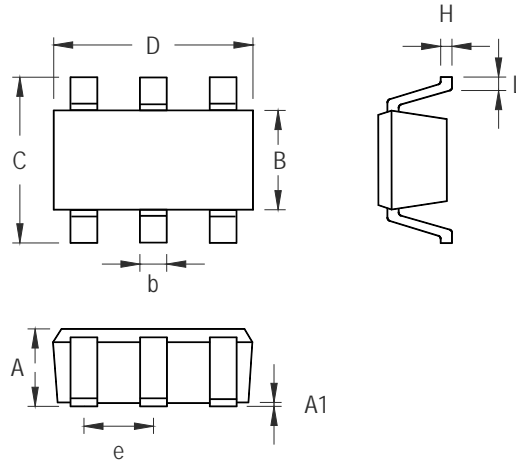
Outline Dimension



Symbol	Dimensions In Millimeters		Dimensions In Inches	
	Min	Max	Min	Max
A	0.700	1.000	0.028	0.039
A1	0.000	0.100	0.000	0.004
B	1.397	1.803	0.055	0.071
b	0.300	0.559	0.012	0.022
C	2.591	3.000	0.102	0.118
D	2.692	3.099	0.106	0.122
e	0.838	1.041	0.033	0.041
H	0.080	0.254	0.003	0.010
L	0.300	0.610	0.012	0.024

TSOT-23-5 Surface Mount Package





Symbol	Dimensions In Millimeters		Dimensions In Inches	
	Min	Max	Min	Max
A	0.700	1.000	0.028	0.039
A1	0.000	0.100	0.000	0.004
B	1.397	1.803	0.055	0.071
b	0.300	0.559	0.012	0.022
C	2.591	3.000	0.102	0.118
D	2.692	3.099	0.106	0.122
e	0.838	1.041	0.033	0.041
H	0.080	0.254	0.003	0.010
L	0.300	0.610	0.012	0.024

TSOT-23-6 Surface Mount Package

RICHTEK TECHNOLOGY CORP.

Headquarter
 5F, No. 20, Taiyuen Street, Chupei City
 Hsinchu, Taiwan, R.O.C.
 Tel: (8863)5526789 Fax: (8863)5526611

RICHTEK TECHNOLOGY CORP.

Taipei Office (Marketing)
 8F-1, No. 137, Lane 235, Paochiao Road, Hsintien City
 Taipei County, Taiwan, R.O.C.
 Tel: (8862)89191466 Fax: (8862)89191465
 Email: marketing@richtek.com

