

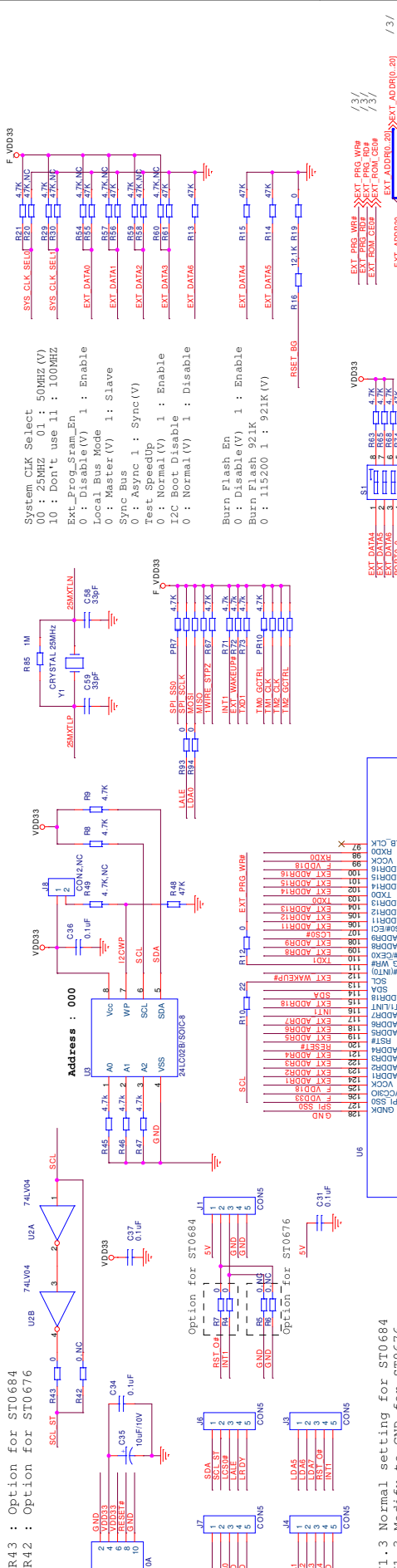
Page 4 UART Port

Page 4 for Flash download only.

Page 3

Title		ASIX ELECTRONICS CORPORATION	
Size		AX8811015 IP-CAM Demo Board	
Document Number		AX11015-IP-CAM-V2	
Date:		Monday, July 24, 2006	
Sheet		1 of 5	
Rev		2.01	



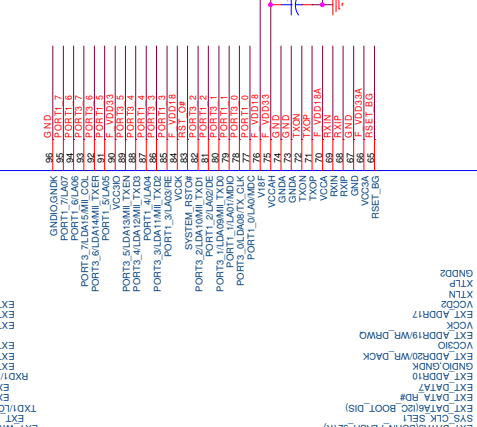


R43/D09/SPI_MOST
R42/D09/SPI_MOST

R43/D09/SPI_MOST
R42/D09/SPI_MOST

R43/D09/SPI_MOST
R42/D09/SPI_MOST

Normal setting for ST0684
1.1.2 and J1.3 Modify to GND for ST0676



System CLK Select
0 : 20MHz
10 : Don't use 11 : 100MHz

Ext_Program_En
0 : Disable(V)
1 : Enable

Local Bus Mode
0 : Master(V)
1 : Slave

Sync Bus
0 : Async
1 : Sync(V)

Test SpeedUp
0 : Normal(V)
1 : Enable

I2C Boot Disable
0 : Normal(V)
1 : Disable

Burn Flash En
0 : Disable(V)
1 : Enable

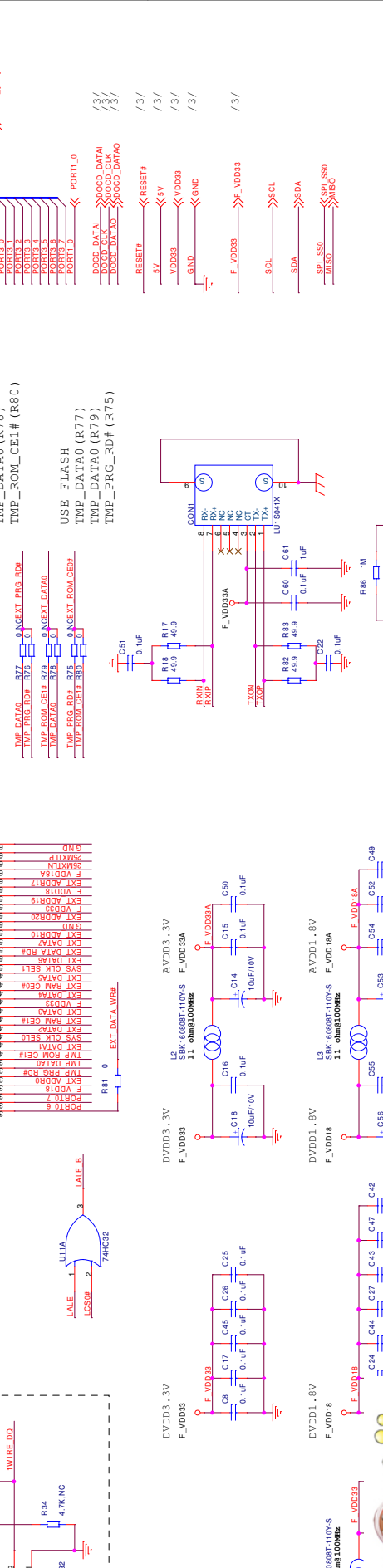
Burn Flash 121K
0 : 115200
1 : 921K (V)

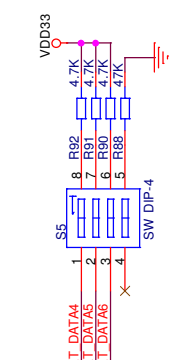
S1.1-8 Burn Flash En
On : Enable Off : Disable

S1.2-7 Burn Flash 921K
On : 921K Off : 115200

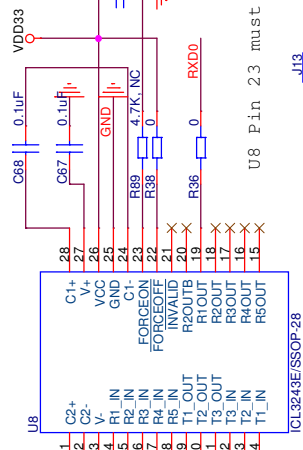
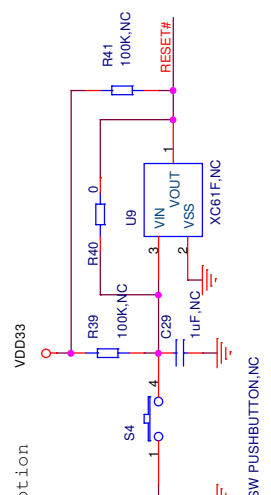
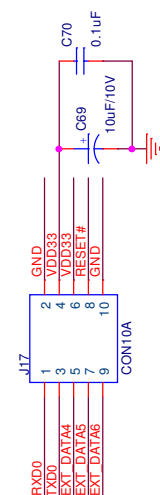
S1.3-6 I2C Boot Disable
On : Disable Off : Normal

S1.4-5 Port0.0 Pull-Down
On : Pull-Down Off Pull-Up

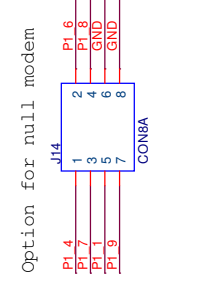




SW DIP-4
 1-8 Burn Flash En
 1 : Enable Off : Disable
 2-7 Burn Flash 921K
 1 : 921k Off : 115200
 3-6 I2C Boot Disable
 1 : Disable Off : Normal
 4-5 Port0.0 Pull-Down
 1 : Pull-Down Off Pull-Up



U8 Pin 23 must be short to Pin 22.



Normal : J13.1 and J13.2 must be shorted
 J16.1 and J16.2 must be shorted
 Null modem : J13.2 and J13.3 must be shorted
 J16.2 and J16.3 must be shorted
 J14.1 and J14.2 must be shorted
 J14.3 and J14.4 must be shorted
 J14.5 and J14.6 must be shorted
 J14.7 and J14.8 must be shorted

ASIX ELECTRONICS CORPORATION	
Title	AX8811015-IP-CAM Demo Board
Size	Document Number
B	AX11015-IP-CAM-V2
Date:	Monday, July 24, 2006
Sheet	4 of 5



istory

2.00 Init

2.01 Add AUDIO schematic

- . Add U11 and R93,R94,R95,R96,R97
- . Modify R70 to disconnect
- . Connect LALE to U11.1
- . Connect LCS0# to U11.2
- . Connect U11.3 to U6.8
- . Connect LALE to R93.1
- . Connect R93.2 to U6.1
- . Connect LDA0 to R94.1
- . Connect R94.2 to U6.2
- . Connect J9.2 to R95.2
- . Connect R95.1 to U6.127
- . Connect J9.3 to R96.2
- . Connect R96.1 to U6.93
- . Connect J9.5 to R97.2
- . Connect R97.1 to U6.3

ASIX ELECTRONICS CORPORATION	
Title	
AX8811015 IP-CAM Demo Board	
Size	Document Number
A	AX11015-IP-CAM-V2
Date:	Monday, July 24, 2006
Sheet	5 of 5
2	1

