

www.DataSheet4U.com

HITACHI

KAOHSIUNG HITACHI
ELECTRONICS CO.,LTD
P.O. BOX 26-27
2,13TH EAST ST. K.E.P.Z.
KAOHSIUNG TAIWAN R.O.C.
TEL:(07) 821-5811(7 LINE)
FAX:(07) 821-5815

FOR MESSRS. _____

DATE. Oct.22,2003

CUSTOMER'S ACCEPTANCE SPECIFICATIONS

SP14Q006 CONTENTS

No.	ITEM	SHEET No.	PAGE
1	COVER	7B64PS 2701- SP14Q006-3	1-1/1
2	RECORD OF REVISION	7B64PS 2702- SP14Q006-3	2-1/1
3	GENERAL SPECIFICATION	7B64PS 2703- SP14Q006-3	3-1/1
4	ABSOLUTE MAXIMUM RATINGS	7B64PS 2704- SP14Q006-3	4-1/1
5	ELECTRICAL CHARACTERISTICS	7B64PS 2705- SP14Q006-3	5-1/2~2/2
6	OPTICAL CHARACTERISTICS	7B64PS 2706- SP14Q006-3	6-1/3~3/3
7	BLOCK DIAGRAM	7B64PS 2707- SP14Q006-3	7-1/1
8	INTERFACE TIMING	7B64PS 2708- SP14Q006-3	8-1/3~3/3
9	OUTLINE DIMENSIONS	7B63PS 2709- SP14Q006-3 7B64PS 2709- SP14Q006-3	9-1/2 9-2/2
10	QUALITY STANDARD	7B64PS 2710- SP14Q006-3	10-1/3~3/3
11	PRECAUTION IN DESIGN	7B64PS 2711- SP14Q006-3	11-1/3~3/3
12	DESIGNATION OF LOT MARK	7B64PS 2712- SP14Q006-3	12-1/1
13	PRECAUTION FOR USE	7B64PS 2713- SP14Q006-3	13-1/1

* When product will be discontinued , customer will be informed by HITACHI with twelve months prior announcement.

ACCEPTED BY; _____

PROPOSED BY; Jimmy . Ho

RECORD OF REVISION

DATE	SHEET No.	SUMMARY																		
Jan.16,'03	7B64PS 2705 - SP14Q006-2 Page 5 - 2/2	5.2 ELECTRICAL CHARACTERISTICS OF LED BACKLIGHT <table border="1" style="margin-left: auto; margin-right: auto;"> <thead> <tr> <th>SYMBOL</th> <th>TYP.</th> <th>MAX.</th> </tr> </thead> <tbody> <tr> <td>VLED</td> <td>(TBD)</td> <td>-</td> </tr> <tr> <td>ILED</td> <td>60</td> <td>-</td> </tr> </tbody> </table> <p style="text-align: center;">Revised ↓</p> <table border="1" style="margin-left: auto; margin-right: auto;"> <thead> <tr> <th>SYMBOL</th> <th>TYP.</th> <th>MAX.</th> </tr> </thead> <tbody> <tr> <td>VLED</td> <td>5</td> <td>5.2</td> </tr> <tr> <td>ILED</td> <td>160</td> <td>-</td> </tr> </tbody> </table>	SYMBOL	TYP.	MAX.	VLED	(TBD)	-	ILED	60	-	SYMBOL	TYP.	MAX.	VLED	5	5.2	ILED	160	-
SYMBOL	TYP.	MAX.																		
VLED	(TBD)	-																		
ILED	60	-																		
SYMBOL	TYP.	MAX.																		
VLED	5	5.2																		
ILED	160	-																		
Oct.22,'03	7B64PS 2709 - SP14Q006-3 Page 9-2/2	Changed LED I/F : JAE/ 1L-G-4S-S3C2 → JAE/ IL-G-4S-S3C2																		

3. GENERAL SPECIFICATIONS

(1) Part Name	SP14Q006
(2) Outer Dimensions	167.0(W)mm×109.0(H)mm×10.0(D)mm max.
(3) Effective Area	120(W)mm min. × 89(H)mm min.
(4) Dot Size	0.345(W)mm. × 0.345(H)mm.
(5) Dot Pitch	0.360(W)mm × 0.360(H)mm
(6) Dot Number (Resolution)	320 (W) × 240 (H) dots
(7) Duty Ratio	1/240
(8) LCD Type	Transmissive type F-B / W STN With anti-glare type upper polarizer
(9) Viewing Direction	6 O'clock
(10) Viewing Angle	Wide Viewing Angle in Rear - Front (12:00) (6:00) R-F=90°(Typ.)
(11) Back Light Type	LED(Color : white)

4. ABSOLUTE MAXIMUM RATINGS

4.1 ELECTRICAL ABSOLUTE MAXIMUM RATINGS

VSS=0V : STANDARD

ITEM	SYMBOL	MIN.	MAX.	UNIT	COMMENT
Power Supply for Logic	VDD-VSS	0	6.0	V	
Power Supply for LC Drive	VDD-VEE	0	27.5	V	
Input Voltage	V _i	-0.3	VDD+0.3	V	(Note 1)
Static Electricity	VESD0	-	±100	V	(Note 2,3,4)
	VESD1	-	±10	kV	(Note 2,3,5)

Note 1 : DOFF , FLM , CL1 , CL2 , D0~D3.

Note 2 : Make certain you are grounded when handling LCM.

Note 3 : Energy storage capacitance 200pF , discharge resistance 250Ω Ta=25°C , 60%RH.

Note 4 : Contact discharge to I/F connector pins.

Note 5 : Contact discharge to front metal bezel.

4.2 ENVIRONMENTAL ABSOLUTE MAXIMUM RATINGS

ITEM	OPERATING		STORAGE		COMMENT
	MIN.	MAX.	MIN.	MAX.	
Ambient Temperature	-20°C	70°C	-30°C	80°C	(Note 2,3,6)
Humidity	(Note 1)		(Note 1)		Without Condensation
Vibration	-	2.45m/s ² (0.25G)	-	11.76m/s ² (1.2G) (Note 5) 1h max.	(Note 4)
Shock	-	29.4m/s ² (3 G)	-	490.0m/s ² (50 G) (Note 5)	X · Y · Z Directions
Corrosive Gas	Not Acceptable		Not Acceptable		

Note 1 : Ta ≤ 40°C : 85%RH max.

Ta > 40°C : Absolute humidity must be lower. Than the humidity of 85%RH at 40°C

Note 2 : Ta at -30°C ---< 48h , at 80°C ---< 168h.

Note 3 : Background color changes slightly depending on ambient temperature.

This phenomenon is reversible.

Note 4 : 5Hz~100Hz (Except resonance frequency)

Note 5 : This module should be operated normally after finish the test.

Note 6 : The response time will be slower under low temperature.

5. ELECTRICAL CHARACTERISTICS

5.1 ELECTRICAL CHARACTERISTICS

ITEM	SYMBOL	CONDITION	MIN.	TYP.	MAX.	UNIT	COMMENT
Power Supply Voltage for Logic	VDD-VSS	-	4.75	5.0	5.25	V	
Power Supply Voltage for LC Driving	VEE-VSS	-	-23.1	-22.0	-20.9	V	
Input Voltage	Vi	H LEVEL	0.8VDD	-	VDD	V	(Note1)
		L LEVEL	0	-	0.2VDD	V	
Power Supply Current for Logic Note 2	IDD	VDD-VSS=5.0V	-	6.0	-	mA	(Note2)
		VEE-VSS= -22.0V	-	-	-	-	-
Power Supply Current for LC Driving Note 2	IEE	VDD-VSS=5.0V	-	5.0	-	mA	(Note2)
		VEE-VSS= -22.0V	-	-	-	-	-
Recommended LC Driving Voltage Note 3	VDD-V0	Ta= 0°C, φ= 0°	-	22.0	-	V	
		Ta=25°C, φ= 0°	-	21.0	-	V	(Note3)
		Ta=50°C, φ= 0°	-	20.0	-	V	
FRAME Frequency Note 4	fFLM	-	70	75	80	Hz	(Note4)

Note 1 : $\overline{\text{DOFF}}$, FLM, CL1, CL2, D0~D3.

Note 2 : fFLM=75Hz, test pattern is all "Q".

VDD-V0=21.0V, Ta=25°C

Note 3 : Recommended LC driving voltage may fluctuate about $\pm 1.0\text{V}$ by each module.

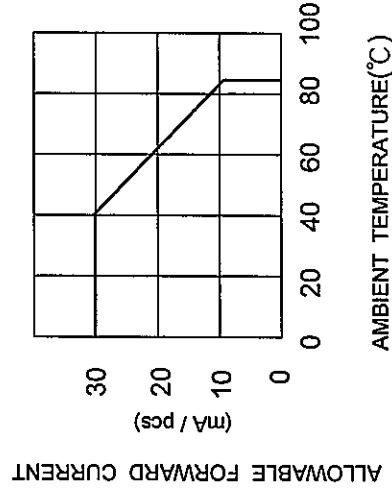
Test pattern is all "Q"

Note 4 : Need to make sure of flickering and rippling of display when setting the FLM frequency in you set.

5.2 ELECTRICAL CHARACTERISTICS OF LED BACKLIGHT

ITEM	SYMBOL	CONDITION	MIN.	TYP.	MAX.	UNIT	COMMENT
POWER SUPPLY VOLTAGE for LED	VLED	-	-	5	5.2	V	
POWER SUPPLY CURRENT for LED	ILED	VLED=5V	-	160	-	mA	(Note 1)

Note 1 : The ILED changes depending on ambient temperature.



6. OPTICAL CHARACTERISTICS

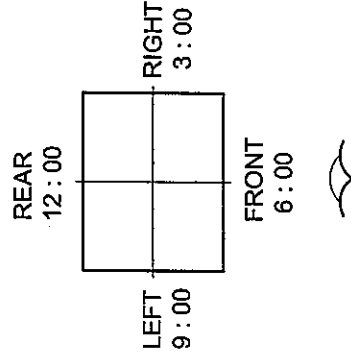
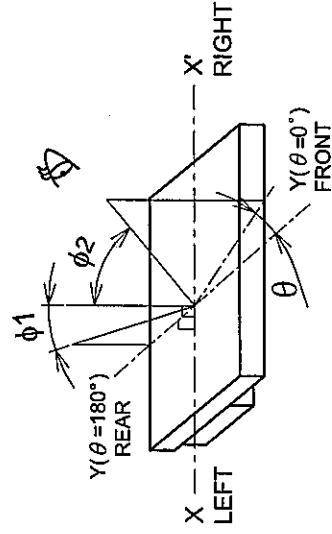
6.1 OPTICAL CHARACTERISTICS Ta=25°C (Backlight on)

ITEM	SYMBOL	CONDITION	MIN.	TYP.	MAX.	UNIT	NOTE
Viewing Area	-	$K \geq 2.0, \theta = 0^\circ$ $\phi 1 + \phi 2$	-	90	-	deg.	1
	-	$K \geq 2.0, \theta = 90^\circ$ $\phi 1 + \phi 2$	-	80	-	deg.	1
Contrast Ratio	K	$\phi = 0^\circ, \theta = 0^\circ$	-	25	-	-	2,3
Response Time (Rise)	tr	$\phi = 0^\circ, \theta = 0^\circ$	-	(336)	-	ms	4
Response Time (Fall)	tf	$\phi = 0^\circ, \theta = 0^\circ$	-	(148)	-	ms	4

Note 1 : Definition of θ and ϕ

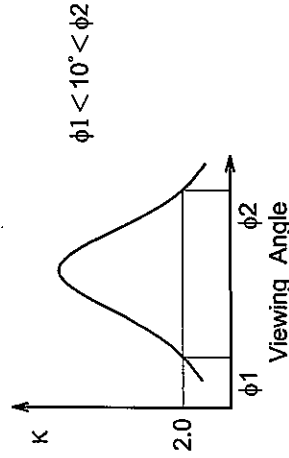
(Normal)

Viewing direction



(Measure condition by HITACHI)

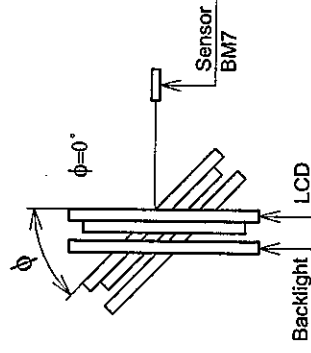
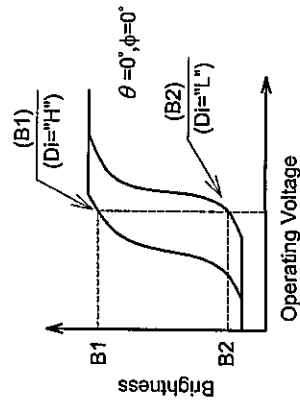
Note 2 : Definition of viewing angle $\phi 1$ and $\phi 2$



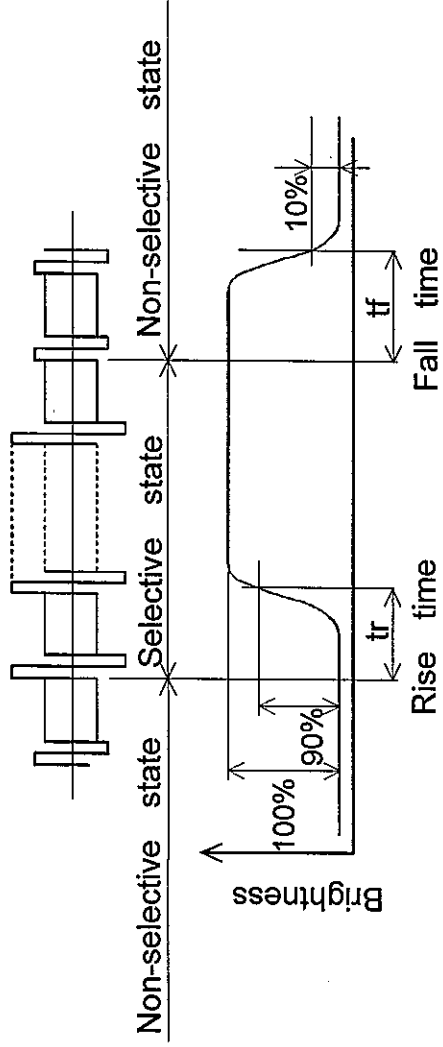
Contrast ratio K vs viewing angle ϕ

Note 3 : Definition of contrast "K"

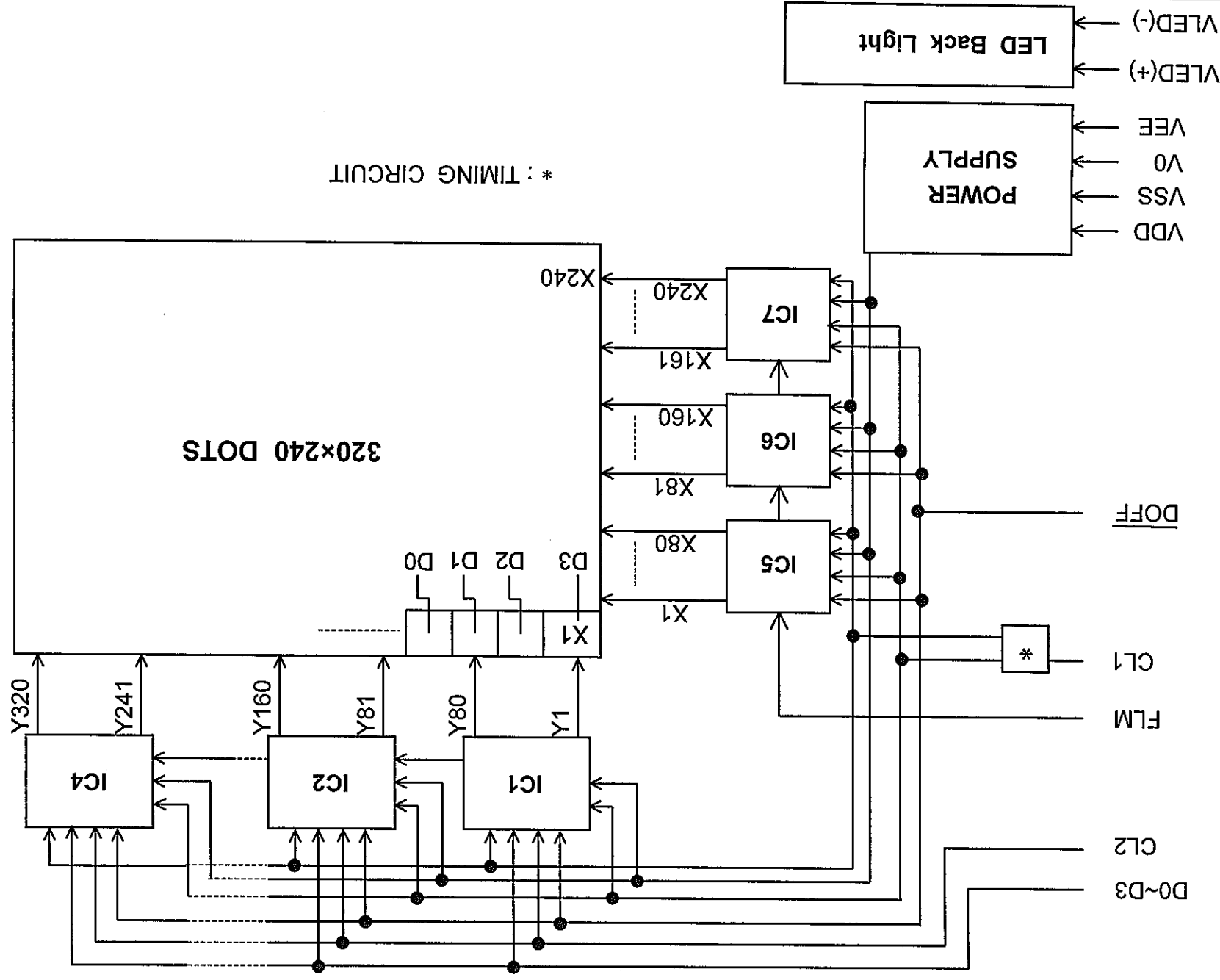
$$K = \frac{\text{Brightness on selected dot (B1)}}{\text{Brightness on non-selected dot (B2)}}$$



Note 4 : Definition of optical response

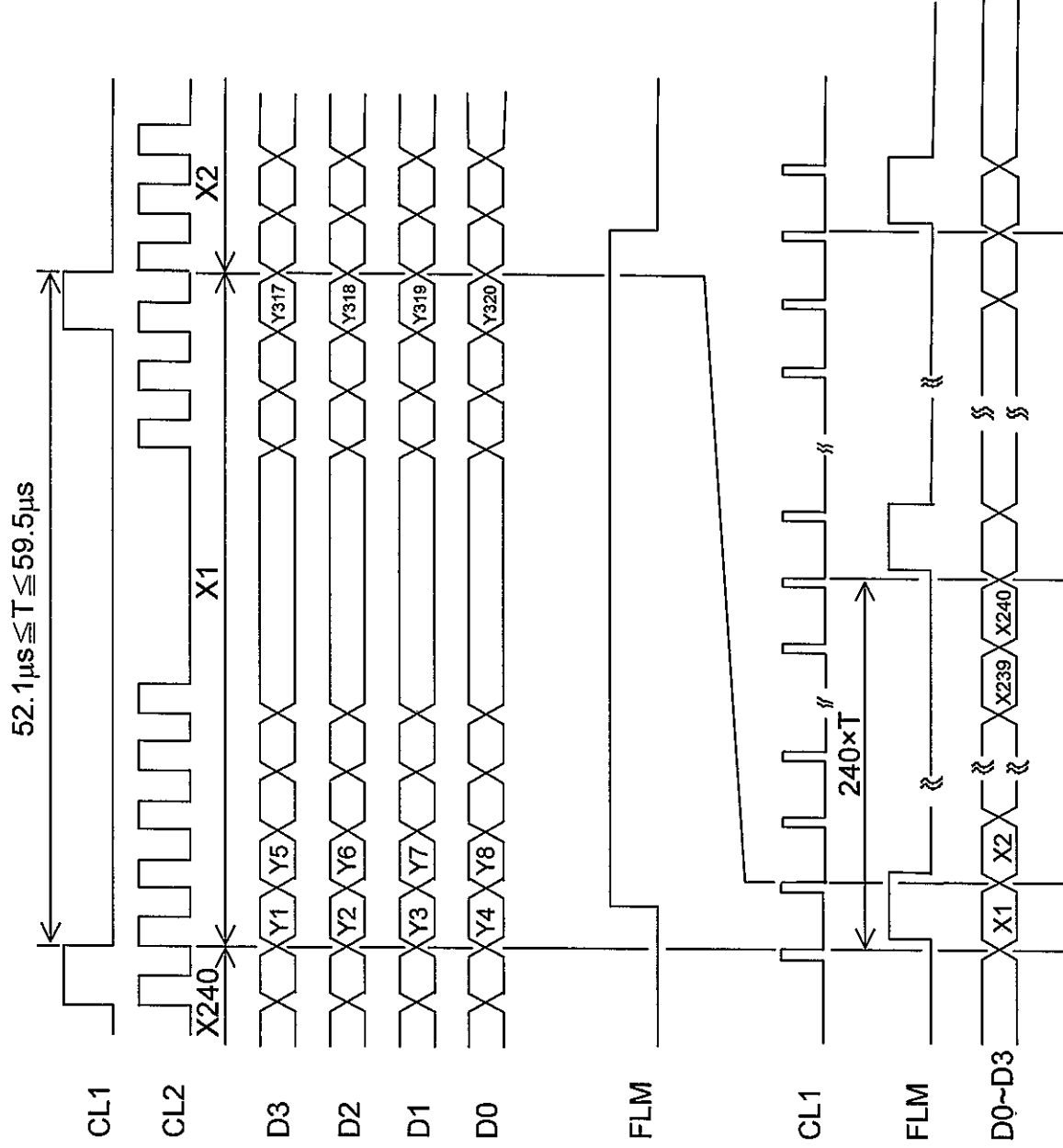


7. BLOCK DIAGRAM



8. INTERFACE TIMING CHART

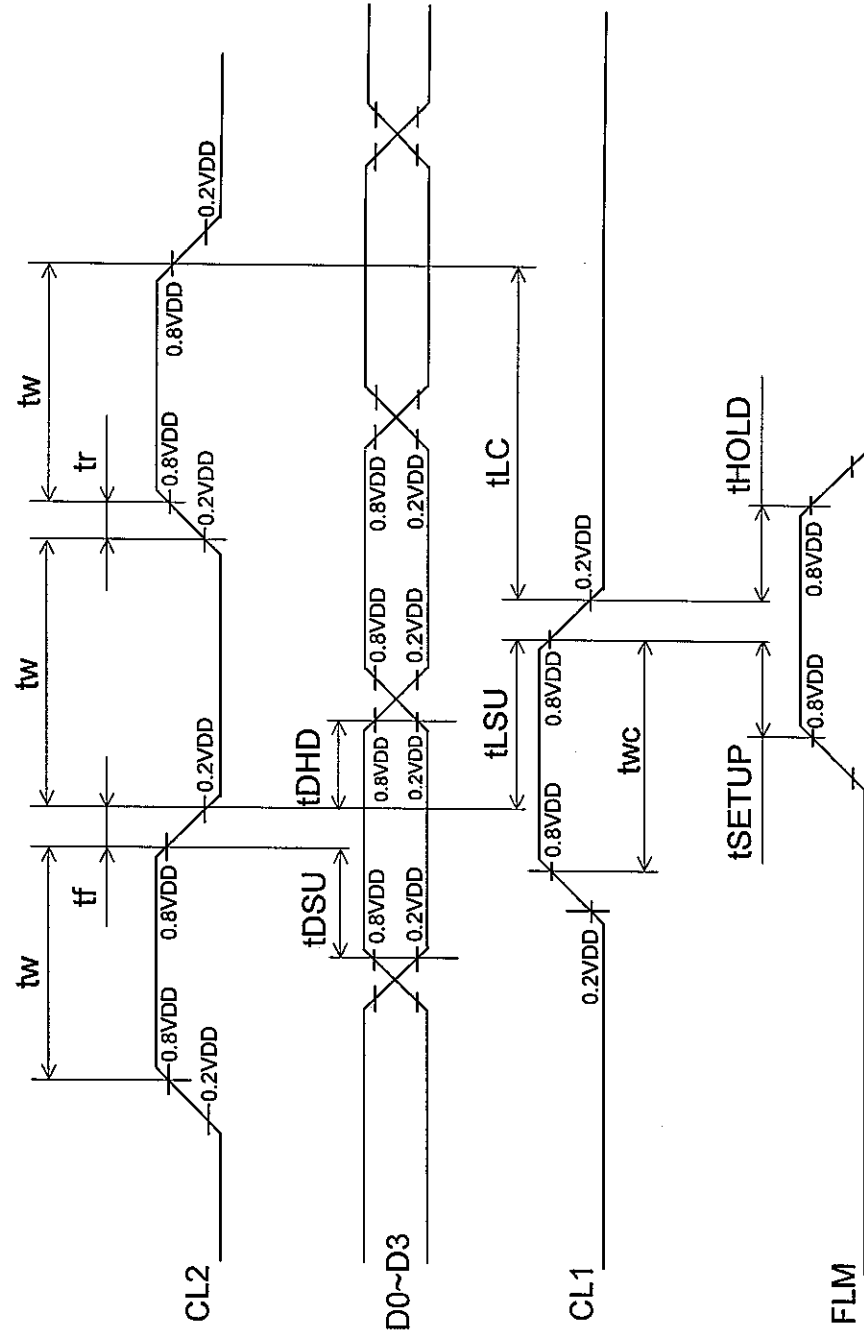
8.1 INTERFACE TIMING CHART



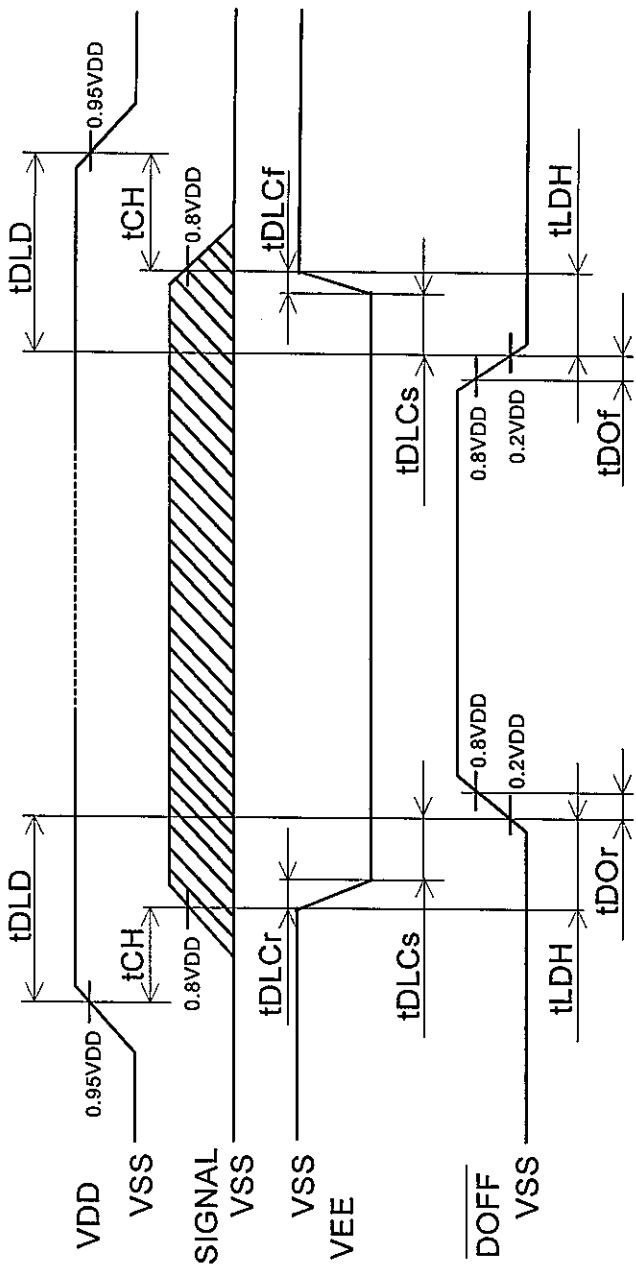
8.2 TIMING CHARACTERISTICS

$0^{\circ}\text{C} \leq T_a \leq 70^{\circ}\text{C}$, $V_{DD}=5.0\text{V} \pm 5\%$

ITEM	SYMBOL	MIN.	TYP.	MAX.	UNIT
CL2 frequency	fCP	-	-	6.5	MHZ
CL2 pulse width	tw	45	-	-	ns
CL2 rise, fall time	tr,tf	-	-	15	ns
Data set up time	tDSU	30	-	-	ns
Data hold time	tDHD	30	-	-	ns
CL1 set up time	tLSU	80	-	-	ns
CL1 clock time	tLC	120	-	-	ns
"FLM" set up time	tSETUP	100	-	-	ns
"FLM" hold time	tHOLD	100	-	-	ns
"CL1" pulse width	tWC	125	-	-	ns



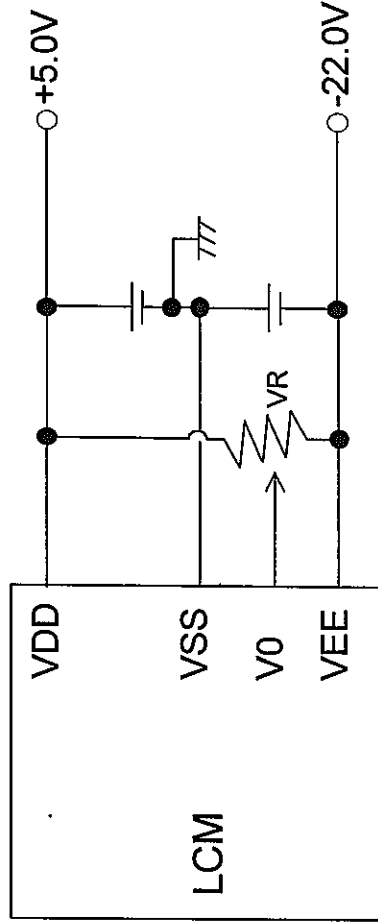
8.3 POWER ON/OFF TIMING SEQUENCE



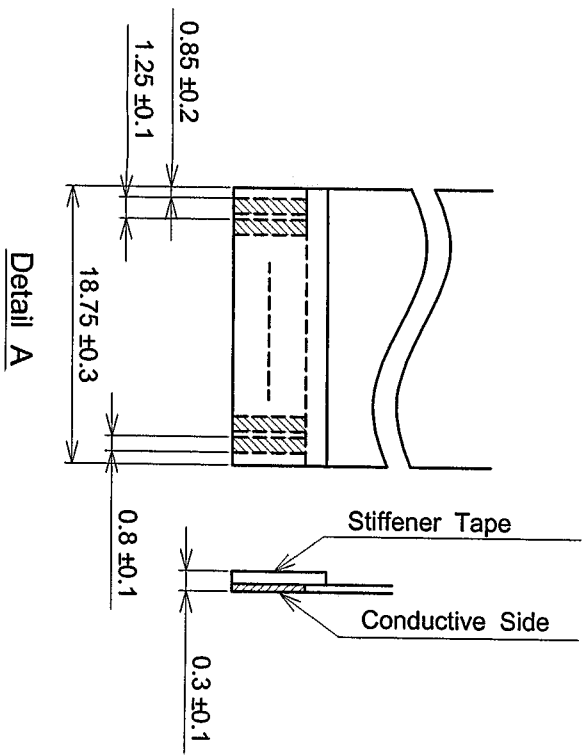
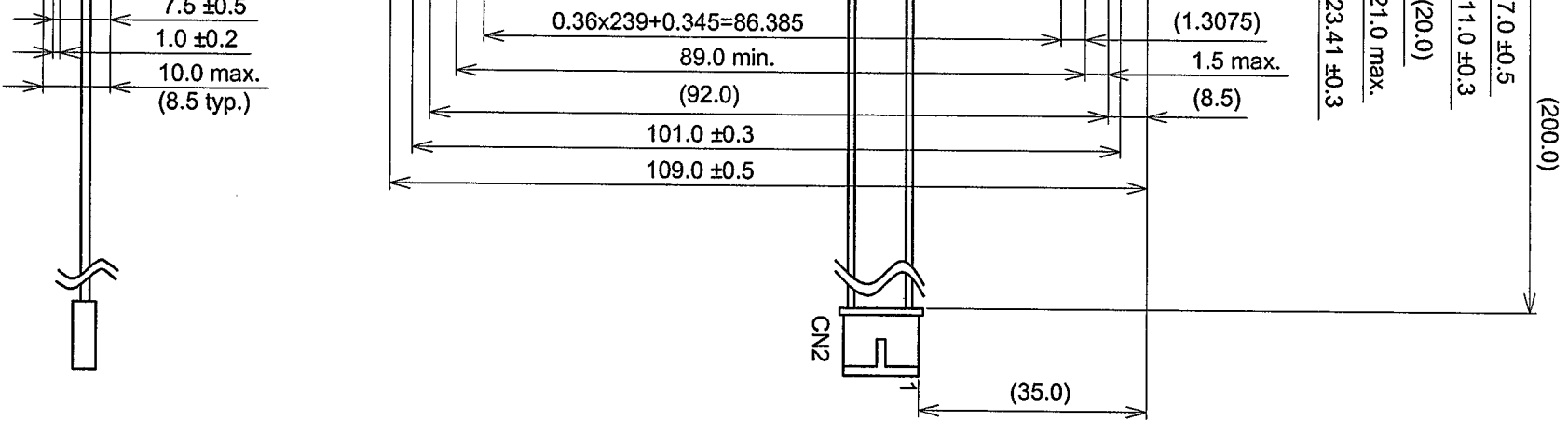
SYMBOL	MIN.	MAX.	UNIT	COMMENT
tDLd	200	-	ms	(Note 1)
tCH	0	200	ms	
tLDH	0	-	ms	
tDOF	-	100	ns	(Note 2)
tDLcCr	-	100	ns	
tDLcCf	0	-	ms	
tDLcCs	20	-	ms	

Note 1 : Please keep the specified sequence because wrong sequence may cause permanent damage to the LCD panel.
 Note 2 : HITACHI recommends you to use DOFF function.
 Display quality may deteriorate if you don't use DOFF function.

8.4 POWER SUPPLY FOR LCM (EXAMPLE)



Note 1 : VR : 10kΩ



KAOSHIUNG HITACHI
ELECTRONICS CO.,LTD.

DATE Oct.22,'03

Sh. No.

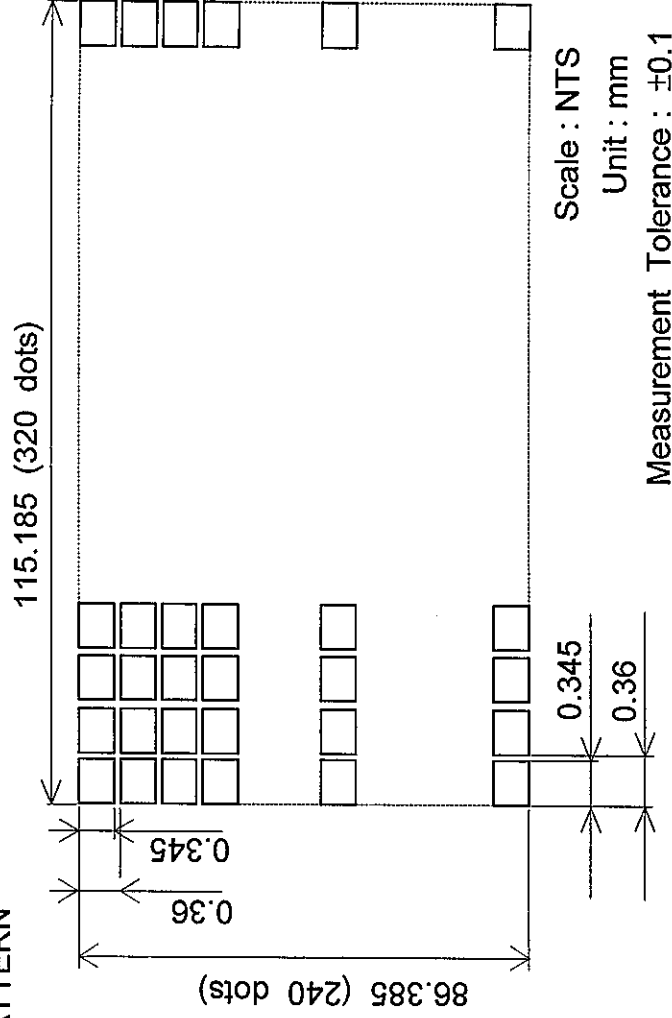
7B63PS 2709-SP14Q006-3

PAGE

9-1/2

Scale : NTS
Unit : mm

9.2 DISPLAY PATTERN



9.3 INTERFACE PIN CONNECTION

FPC : pitch 1.25mm 14 pins

INTERFACE	PIN No.	SIGNAL	LEVEL	FUNCTION
LCM CN1	1	D0	H/L	Display Data
	2	D1		
	3	D2		
	4	D3		
	5	DOFF	H/L	H : ON / L : OFF
	6	FLM	H	First Line Marker
	7	N.C	-	-
	8	CL1	H→L	Data Latch
	9	CL2	H→L	Data Shift
	10	VDD	-	Power Supply for Logic
	11	VSS	-	GND
	12	VEE	-	Power Supply for LC
	13	V0	-	Operating Voltage LC Driving
	14	VSS	-	GND

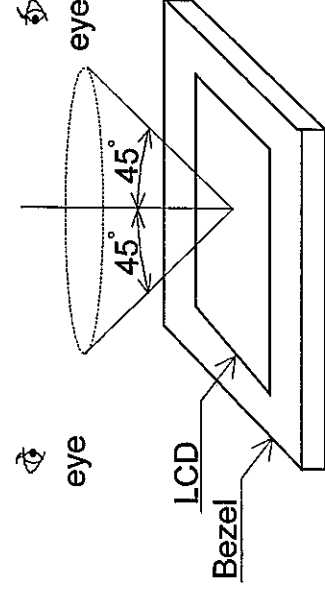
INTERFACE	PIN No.	SIGNAL	LEVEL	FUNCTION
LCM CN2	1	VLED(+)	-	Power Supply for LED
	2	N.C	-	-
	3	N.C	-	-
	4	VLED(-)	-	LED GND

LED I/F : J.A.E / IL - G - 4S - S3C2

10. APPEARANCE STANDARD

10.1 Appearance inspection conditions (in the effective area) visual inspection should be under the following condition.

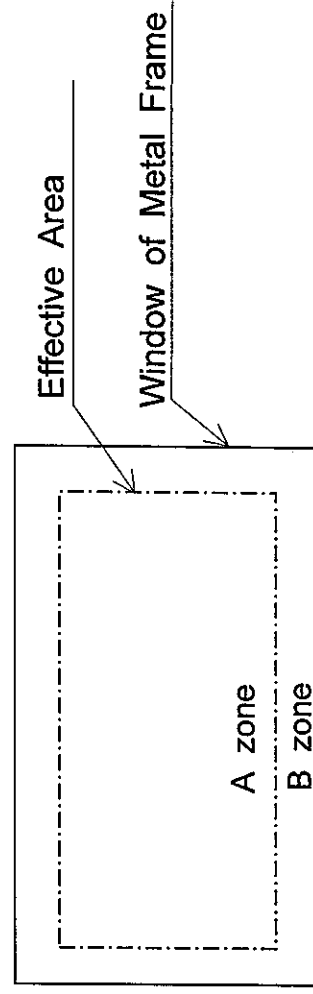
- (1) In the dark room.
- (2) With eye to LCD distance is 25cm.
- (3) Viewing angle within 45° from the perpendicular to the center LCD.



10.2 DEFINITION OF EACH ZONE

A zone : Within the effective area specified at page 9-1/2 of this document.

B zone : Area between the window of metal frame and the effective area line specified at page 9-1/2 of this document.



10.3 APPEARANCE SPECIFICATION

*) If a problem occurs in respect to any of these items, responsables of both parties (Customer and HITACHI) will discuss in more detail.

No.	ITEM	CRITERIA		A	B	
	Scratches	Distinguished one is not acceptable (To be judged by HITACHI limit sample)			*	-
	Dent	Same as above			*	-
	Winkles in Polarizer	Same as above			*	-
	Bubbles	Average Diameter D(mm)	Maximum Number Acceptable			
		$D \leq 0.2$	Ignore			
		$0.2 < D \leq 0.3$	12	○	-	
		$0.3 < D \leq 0.5$	3			
		$0.5 < D$	None			
	Stains, Foreign Materials, Dark Spot	Filamentous				
		Length L(mm)	Width W(mm)	Maximum Number Acceptable		
		$L \leq 2.0$	$W \leq 0.03$	Ignore		
		$L \leq 3.0$	$0.03 < W \leq 0.05$	6		
		-	$0.05 < W$	Judged by "Round" shape		
		Round				
		Average Diameter D(mm)	Maximum Number Acceptable	Minimum Space		
		$D < 0.2$	Ignore	-	○	
		$0.2 \leq D < 0.33$	8	10mm		
		$0.33 \leq D$	None	-		
		Total	Filamentous + Round = 10			
	Color Tone	Those wiped out easily are acceptable			○	○
	Color Uniformity	To be judged by HITACHI limit sample			○	-
	Pinhole	Same as above			○	-
		Average Diameter D(mm)	Maximum Number Acceptable			
		$D \leq 0.15$	Ignore			
		$0.15 < D \leq 0.3$	10			
		$C \leq 0.015$	Ignore			
	Contrast Irregularity (Spot)	Average Diameter D(mm)	Contrast	Maximum Number Acceptable	Minimum Space	
		$D \leq 0.25$	To be judged by HITACHI	ignore	-	
		$0.25 < D \leq 0.35$		10	20mm	
		$0.35 < D \leq 0.5$		4	20mm	
		$0.5 < D$		None	-	

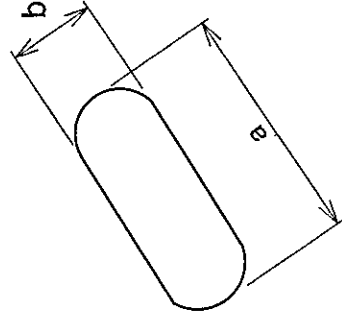
L

C

D

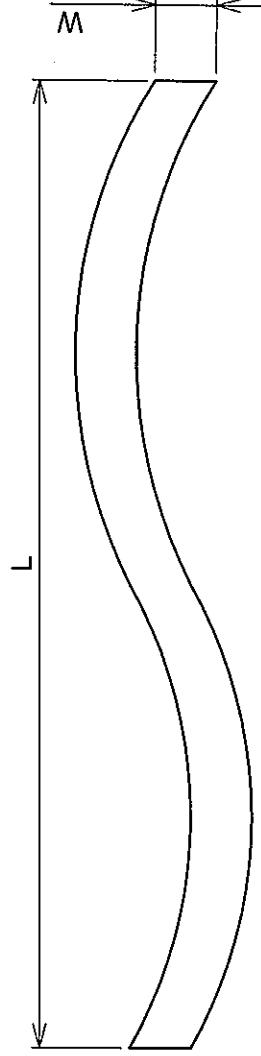
No.	ITEM					A	B
L C D	Contras Irregularity (Line) (Filamentous)	Width D(mm)	Length L(mm)	Maximum Number Acceptable	Minimum Space	○	-
		$W \leq 0.25$	$L \leq 1.2$	2	20mm		
		$W \leq 0.2$	$L \leq 1.5$	3	20mm		
		$W \leq 0.15$	$L \leq 2.0$	3	20mm		
		$W \leq 0.1$	$L \leq 3.0$	4	20mm		
	Total			6			
	Rubbing Scratch	To be judged by HITACHI standard				○	-

Note 1 : Definition of average diameter (D)

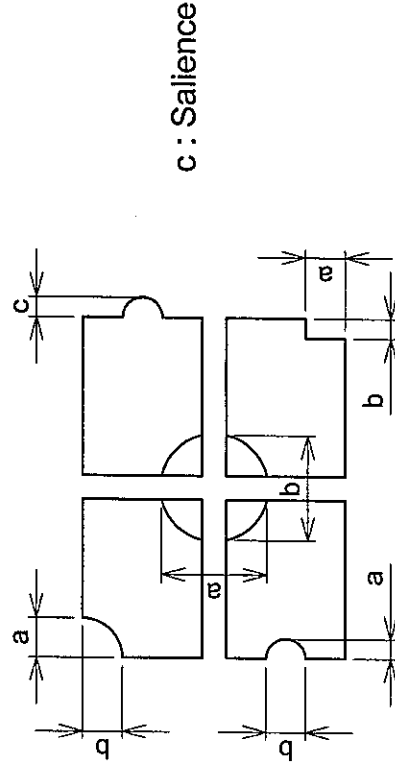


$$\frac{a+b}{2} = D \dots \dots \text{Average Diameter}$$

Note 2 : Definition of length (L) and width (W)



Note 3 : Definition of pinhole



11. PRECAUTION IN DESIGN

11.1 LC DRIVING VOLTAGE (VEE) AND VIEWING ANGLE RANGE

Setting VEE out of the recommended condition will be a cause for a change of viewing angle range.

11.2 CAUTION AGAINST STATIC CHARGE

As this module is provided with C-MOS LSIs The care to take such a precaution as grounding the operator's body is required when handling it.

11.3 POWER ON SEQUENCE

Input signals should not be applied to LCD module before power supply voltage is applied and reaches to specified voltage (5V \pm 5%).

If above sequence is not kept, C-MOS LSIs of LCD modules may be damaged due to latch up problem.

11.4 PACKAGING

(1) No. Leaving product is preferable in the place of high humidity for a long period of time. For their storage in the place where temperature is 35 °C or higher, special care to prevent them from high humidity is required. A combination of high temperature and high humidity may cause them polarization degradation as well as bubble generation and polarizer peel-off. Please keep the temperature and humidity within the specified range for use and storage.

(2) Since upper/bottom polarizers tend to be easily damaged, They should be handled full with care so as not to get them touched, pushed or rubbed.

(3) As the adhesives used for adhering upper/bottom polarizers are made of organic substances which will be deteriorated by a chemical reaction with such chemicals as acetone, toluene, ethanol and isopropyl alcohol. The following solvents are recommended for use:
normal hexane

Please contact us when it is necessary for you to use chemicals.

(4) Lightly wipe to clean the dirty surface with absorbent cotton waste or other soft material like chamois, soaked in the chemicals recommended without scrubbing it hardly. To prevent the display surface from damage and keep the appearance in good state, it is sufficient, in general, to wipe it with absorbent cotton.

(5) Immediately wipe off saliva or water drop attached on the display area because its long period adherence may cause deformation or faded color on the spot.

(6) Foggy dew deposited on the surface and contact terminals due to coldness will be caused for polarizer damage, stain and dirt on product. When necessary to take out the products form some place at low temperature for test, etc. It is required for them to be warmed up in a container once at the temperature higher than that of room.

(7) Touching the display area and contact terminals with bare hands and contaminating them are prohibited, because the stain on the display area and poor insulation between terminals are often caused by being touched by bare hands.
(There are some cosmetics detrimental to polarizers.)

(8) In general the quality of glass is fragile so that it tends to be cracked or chipped in handling, specially on its periphery. Be careful not to give it sharp shock caused by dropping down, etc.

11.5 CAUTION FOR OPERATION

(1) It is an indispensable condition to drive LCDs within the specified voltage limit since the higher voltage than the limit causes the shorter LCD life. An electrochemical reaction due to direct current causes LCDs undesirable deterioration, so that the use of direct current driver should be avoided.

(2) Response time will be extremely delayed at lower temperature than the operating temperature range and on the other hand at higher temperature LCDs show dark bull color in them. However those phenomena do not mean malfunction or out of order with LCDs which will come back in the specified operating temperature range.

(3) If the display area is pushed hard during operation, some font will be abnormally displayed but it resumes normal condition after turning off once.

(4) A slight dew depositing on terminals is a cause for electrochemical reaction resulting in terminal open circuit. Please operate the LCD module under the relative condition of 40°C 85%RH.

11.6 STORAGE

In case of storing for a long period of time (for instance, for years) for the purpose of replacement use, the following ways are recommended.

(1) Storage in a polyethylene bag with the opening sealed so as not to enter fresh air outside in it, and with no desiccant.

(2) Placing in a dark place where neither exposure to direct sunlight nor light is, keeping temperature in the range from 0°C to 35°C.

(3) Storage with no touch on polarizer surface by anything else. (It is recommended to store them as they have been contained in the inner container at the time of delivery from us.)

11.7 SAFETY

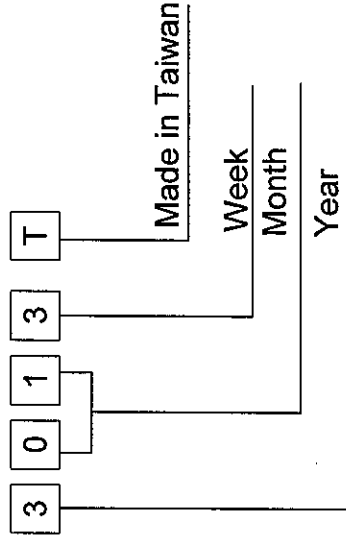
(1) It is recommendable to crash damaged or unnecessary LCDs into pieces and wash off liquid crystal by either of solvents such as acetone and ethanol, which should be burned up later.

(2) When any liquid leaked out of a damaged glass cell comes in contact with your hands, please wash it off well with soap and water.

12. DESIGNATION OF LOT MARK

LOT MARK

LOT MARK IS CONSISTED OF 4 DIGIT NUMBER.



YEAR	FIGURE IN LOT MARK
2003	3
2004	4
2005	5
2006	6
2007	7

Note 1. Some products have alphabet at the end or the first.

MONTH	FIGURE IN LOT MARK	MONTH	FIGURE IN LOT MARK
Jan.	01	Jul.	07
Feb.	02	Aug.	08
Mar.	03	Sep.	09
Apr.	04	Oct.	10
May	05	Nov.	11
Jun.	06	Dec.	12

WEEK (DAY IN CALENDAR)	FIGURE IN LOT MARK
01~07	1
08~14	2
15~21	3
22~28	4
29~31	5

Location of lot mark : on the back side of LCM

3013T

13. PRECAUTION FOR USE

13.1 A limit sample should be provided by the both parties on an occasion when the both parties agreed its necessity. Judgment by a limit sample shall take effect after the limit sample has been established and confirmed by the both parties.

13.2 On the following occasions, the handling of the problem should be decided through discussion and agreement between responsible persons of the both parties.

- (1) When a question is arisen in the specifications.
- (2) When a new problem is arisen which is not specified in this specifications.
- (3) When an inspection specifications change or operating condition change in customer is reported to HITACHI, and some problem is arisen in this specification due to the change.
- (4) When a new problem is arisen at the customer's operating set for sample evaluation in the customer site.

The precaution that should be observed when handling LCM have been explained above. If any points are unclear or if you have any request, please contact HITACHI.

KAOHSIUNG HITACHI ELECTRONICS CO.,LTD.	DATE	Oct.22,'03	Sh. No.	7B64PS 2713- SP14Q006-3	PAGE	13-1/1
---	------	------------	------------	-------------------------	------	--------