

TOSHIBA

2SK1530

TOSHIBA FIELD EFFECT TRANSISTOR SILICON N CHANNEL MOS TYPE

2SK1530

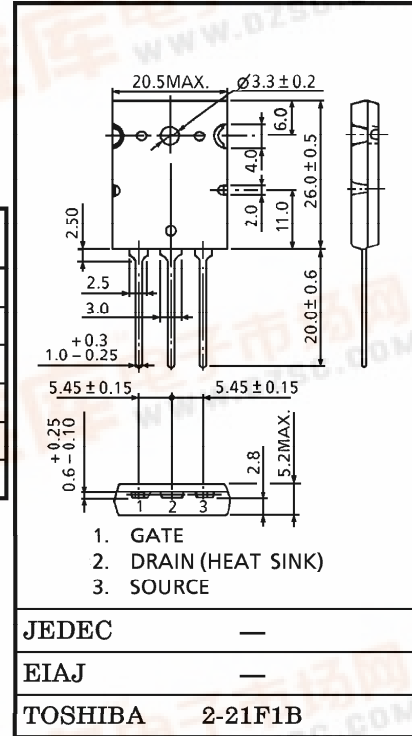
HIGH POWER AMPLIFIER APPLICATION

Unit in mm

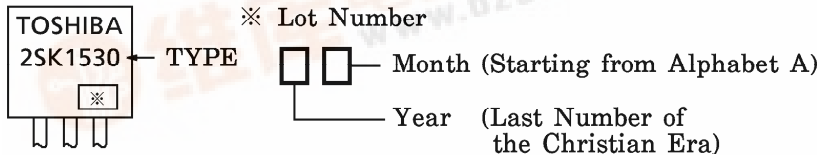
- High Breakdown Voltage : $V_{DSS}=200V$
- High Forward Transfer Admittance : $|Y_{fs}|=5.0S$ (Typ.)
- Complementary to 2SJ201

MAXIMUM RATINGS ($T_a = 25^\circ C$)

CHARACTERISTIC	SYMBOL	RATING	UNIT
Drain-Source Voltage	V_{DSS}	200	V
Gate-Source Voltage	V_{GSS}	± 20	V
Drain Current	I_D	12	A
Drain Power Dissipation ($T_c = 25^\circ C$)	P_D	150	W
Channel Temperature	T_c	150	$^\circ C$
Storage Temperature Range	T_{stg}	$-55 \sim 150$	$^\circ C$



MARKING



JEDEC	—
EIAJ	—
TOSHIBA	2-21F1B

ELECTRICAL CHARACTERISTICS ($T_a = 25^\circ C$)

Weight : 9.75g

CHARACTERISTIC	SYMBOL	TEST CONDITION	MIN.	TYP.	MAX.	UNIT
Drain Cut-off Current	I_{DSS}	$V_{DS}=200V, V_{GS}=0$	—	—	1.0	mA
Gate Leakage Current	I_{GSS}	$V_{DS}=0V, V_{GS}=\pm 20V$	—	—	± 0.5	μA
Drain-Source Breakdown Voltage	$V_{(BR)DSS}$	$I_D=10mA, V_{GS}=0$	200	—	—	V
Drain-Source Satruation Voltage	$V_{DS(ON)}$	$I_D=8A, V_{GS}=10V$	—	2.5	5.0	V
Gate-Source Cut-off Voltage (Note)	$V_{GS(OFF)}$	$V_{DS}=10V, I_D=0.1A$	0.8	—	2.8	V
Forward Transfer Admittance	$ Y_{fs} $	$V_{DS}=10V, I_D=5A$	—	5.0	—	S
Input Capacitance	C_{iss}	$V_{DS}=30V, V_{GS}=0, f=1MHz$	—	900	—	pF
Output Capacitance	C_{oss}	$V_{DS}=30V, V_{GS}=0, f=1MHz$	—	180	—	pF
Reverse Transfer Capacitance	C_{rss}	$V_{DS}=30V, V_{GS}=0, f=1MHz$	—	100	—	pF

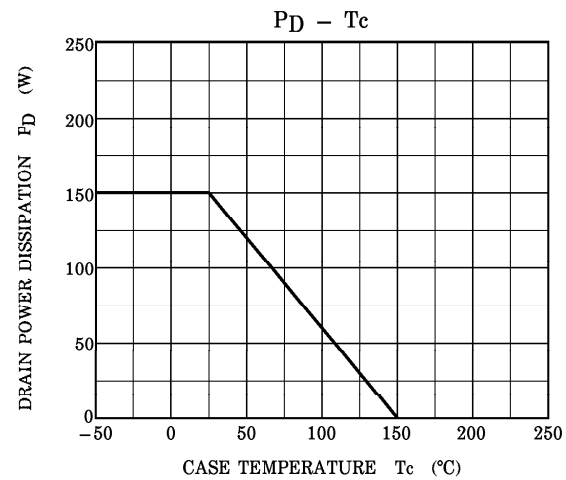
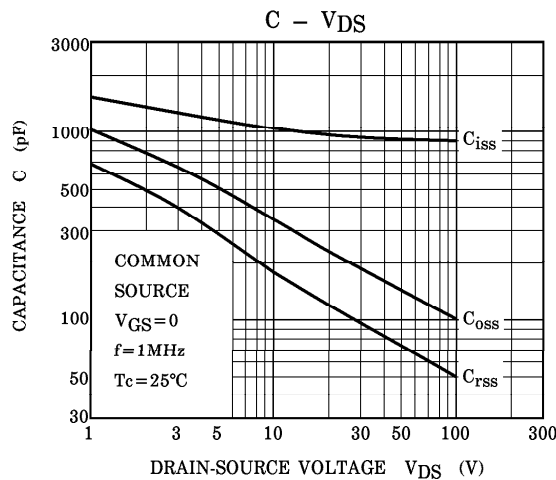
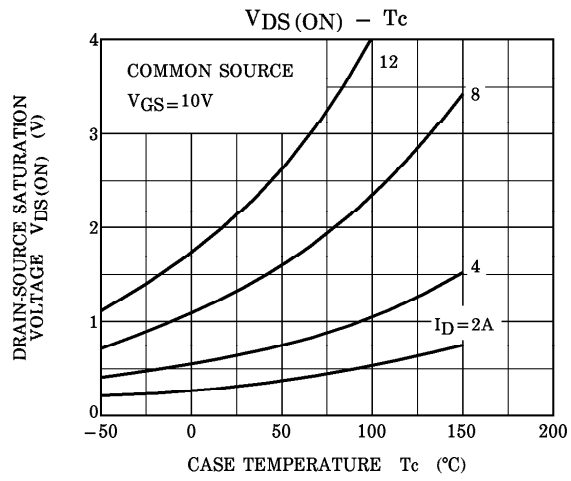
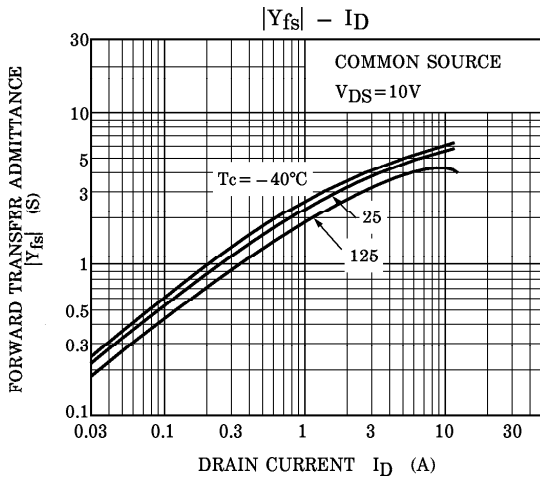
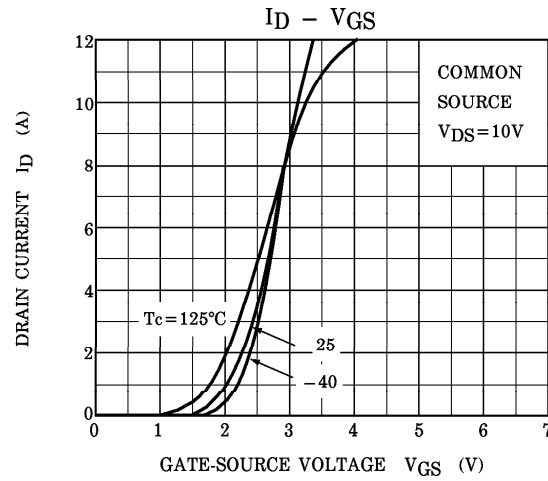
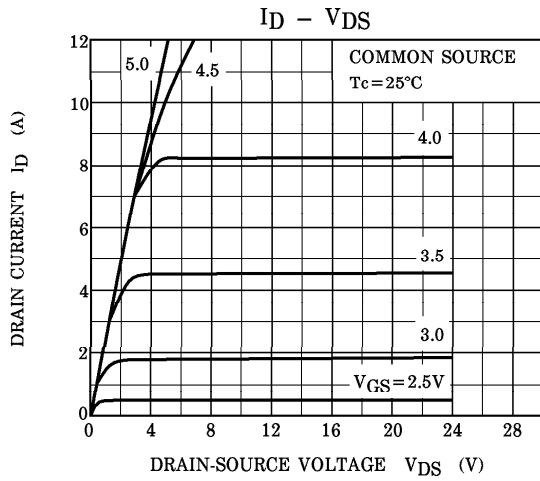
(Note) $V_{GS(OFF)}$ Classification 0 : 0.8~1.6 Y : 1.4~2.8

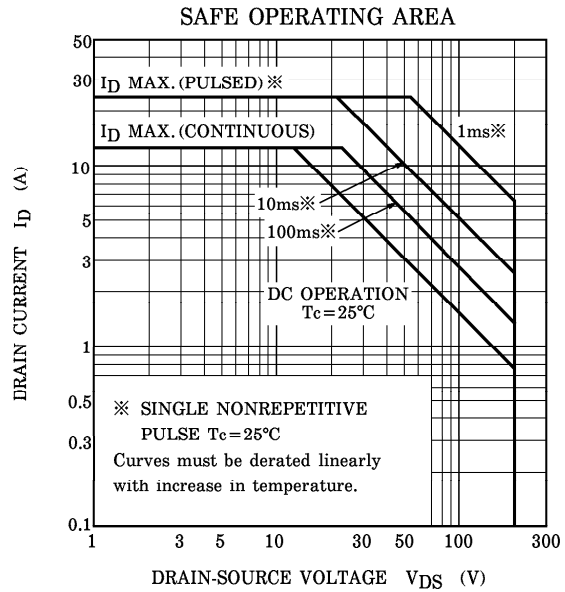
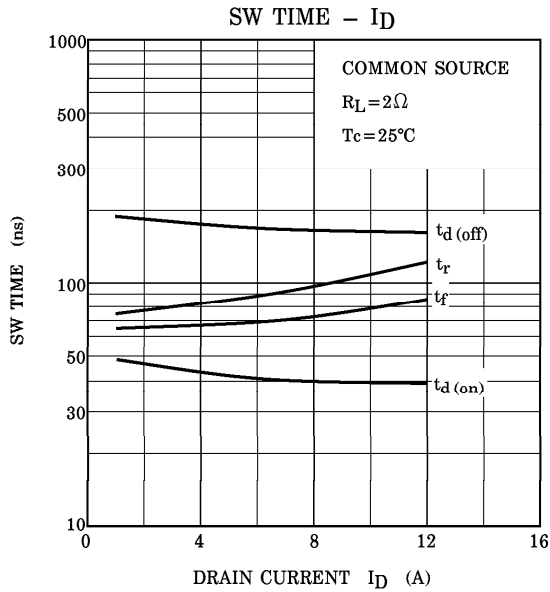
This transistor is an electrostatic sensitive devide. Please handle with caution.

961001EAA2

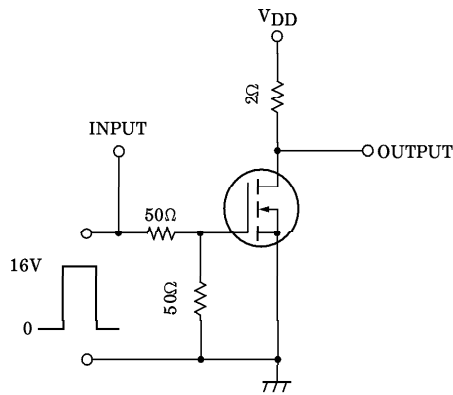
TOSHIBA is continually working to improve the quality and the reliability of its products. Nevertheless, semiconductor devices in general can malfunction or fail due to their inherent electrical sensitivity and vulnerability to physical stress. It is the responsibility of the buyer, when utilizing TOSHIBA products, to observe standards of safety, and to avoid situations in which a malfunction or failure of a TOSHIBA product could cause loss of human life, bodily injury or damage to property. In developing your designs, please ensure that TOSHIBA products are used within specified operating ranges as set forth in the most recent products specifications. Also, please keep in mind the precautions and conditions set forth in the TOSHIBA Semiconductor Reliability Handbook.







SWITCHING TIME TEST CIRCUIT



WAVEFORMS

