



DS1402x MicroLAN Cables

www.dalsemi.com

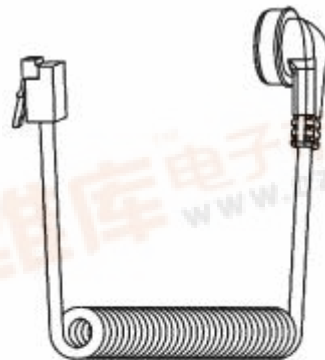
FEATURES

- Coiled cables to connect iButtons to MicroLAN Networks
- Convenient, off-the-shelf connectivity
- Touch and Hold Probes DS1402RP and DS1402BP for momentary touch (F3/F5 MicroCan) or dwelled contact (F5 MicroCan only) in two cable lengths (0.9 m and 2.4 m max.)
- Blue Dot Dual Receptors for momentary (F3/F5 MicroCan) or dwelled contact (F5 MicroCan only) with velcro backing to mount on objects (DS1402D-DB8, DS1402D-DR8, each 2.4 m max.)
- iButton™ cables to connect COM Port to iButton Holder (DS1402BR) and to daisy-chain iButton Holders (DS1402BB) in 2.4 m length max.
- RJ-11 cables DS1402RR to extend the length of a probe or button cable to 2.4 m length max.
- Can be used with any Dallas Semiconductor port adapter
- iButtons can be connected in any combination

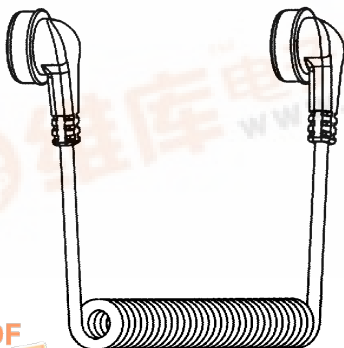
ORDERING INFORMATION

DS1402BB8	2.4 meter (8 feet) cable
DS1402BR8	2.4 meter (8 feet) cable
DS1402RR8	2.4 meter (8 feet) cable
DS1402BP8	2.4 meter (8 feet) cable
DS1402RP3	0.9 meter (3 feet) cable
DS1402RP8	2.4 meter (8 feet) cable
DS1402D-DB8	2.4 meter (8 feet) cable
DS1402D-DR8	2.4 meter (8 feet) cable

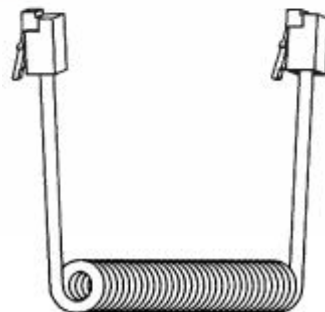
DS1402BR

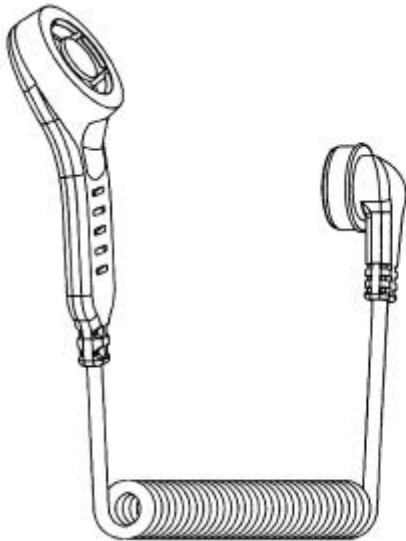
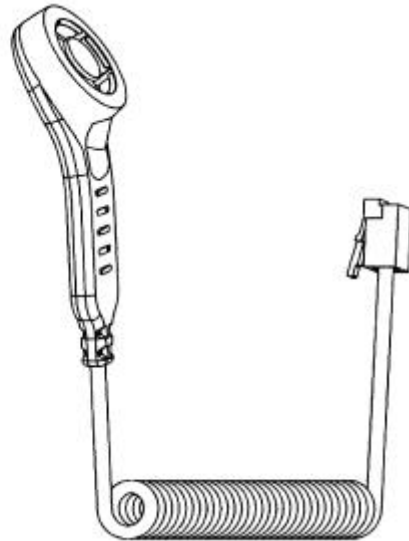
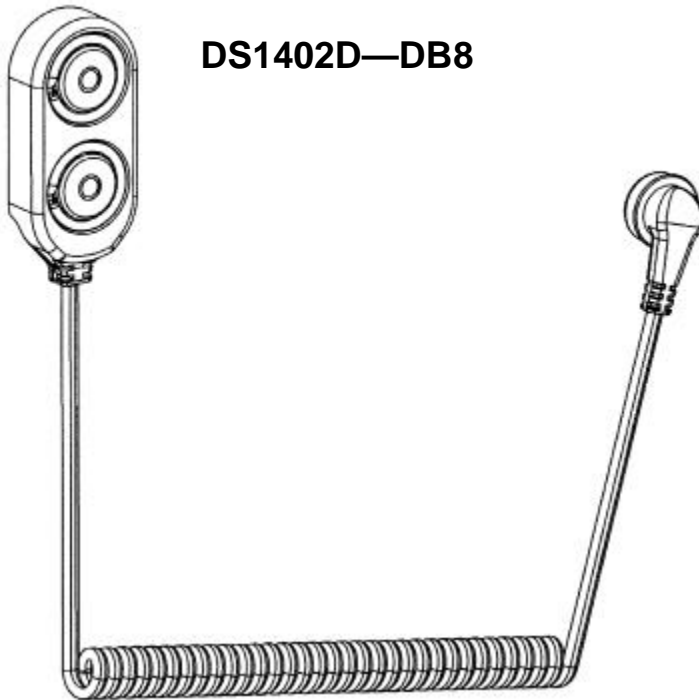


DS1402BB



DS1402RR



DS1402BP**DS1402RP****DS1402D—DB8****DS1402D—DR8**

DESCRIPTION

Using four basic types of connectors, RJ-11, iButton, Touch and Hold Probe and Blue Dot Receptor, the DS1402 series of MicroLAN cables provides connectivity for iButtons. The cables are designed to connect COM-port adapter or parallel port adapter to any type of DS1401 front panel iButton Holder or Touch And Hold Probe. The two versions of the Blue Dot Receptor directly connect to any port adapter. Applications range from software protection to handheld computers and complex MicroLANs.