

TOSHIBA

TA8747N

TENTATIVE TOSHIBA BIPOLAR LINEAR INTEGRATED CIRCUIT SILICON MONOLITHIC

TA8747N

AV SWITCH FOR TV WITH S-TERMINALS

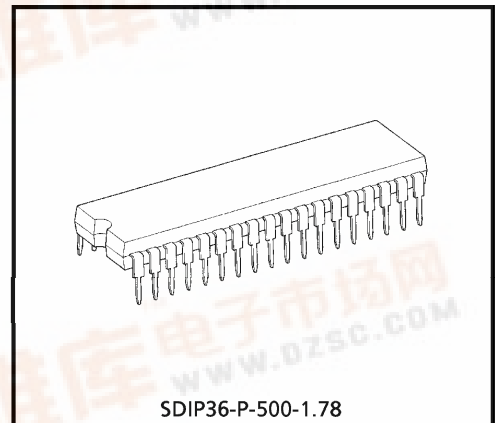
TA8747N is an audio (L/R)/video switching IC comprising 5 inputs and 3 circuits.

The inputs for all the three circuits can be simultaneously switched among a TV input channel and four external input channels.

Three of the four external input channels are compatible with S-terminals.

FEATURES

- Audio (L/R)
 - Inputs : 1-channel TV input
4-channel external input
 - Outputs : L/R output
- Video
 - Inputs : 1-channel TV input
4-channel external input
(3-channel S-terminal input)
 - Outputs : Monitor output
Y/C output
- Audio mute function
- Video clamp circuit
- Mode output



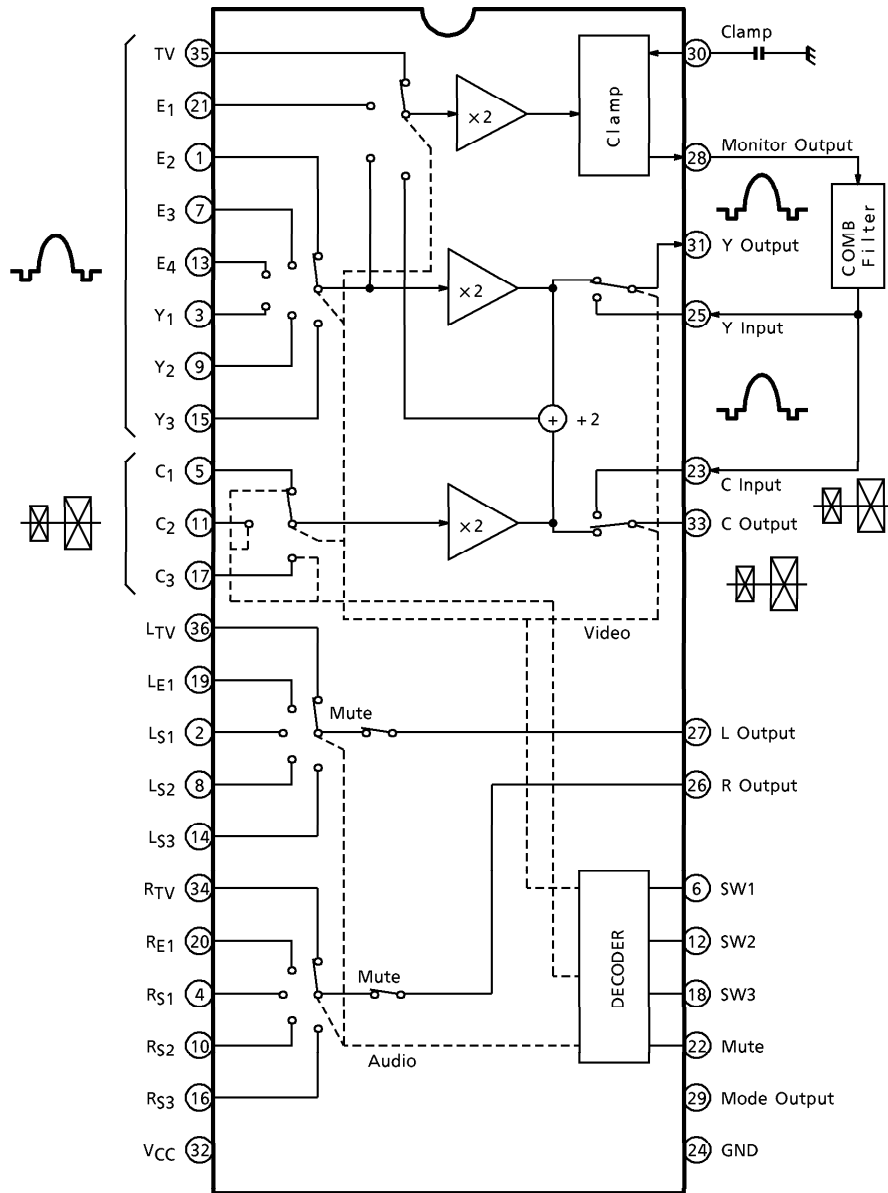
SDIP36-P-500-1.78

Weight : 2.98 g (Typ.)

980910EBA1

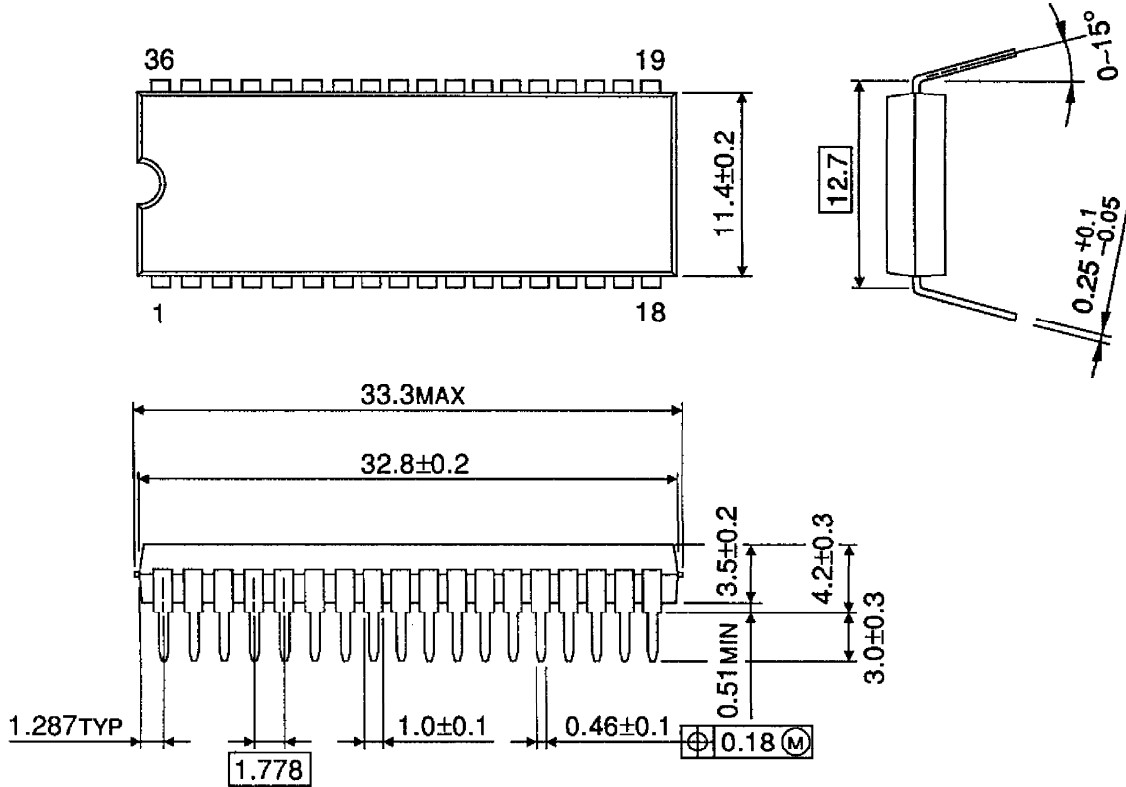
- TOSHIBA is continually working to improve the quality and the reliability of its products. Nevertheless, semiconductor devices in general can malfunction or fail due to their inherent electrical sensitivity and vulnerability to physical stress. It is the responsibility of the buyer, when utilizing TOSHIBA products, to observe standards of safety, and to avoid situations in which a malfunction or failure of a TOSHIBA product could cause loss of human life, bodily injury or damage to property. In developing your designs, please ensure that TOSHIBA products are used within specified operating ranges as set forth in the most recent products specifications. Also, please keep in mind the precautions and conditions set forth in the TOSHIBA Semiconductor Reliability Handbook.
- The products described in this document are subject to the foreign exchange and foreign trade laws.
- The information contained herein is presented only as a guide for the applications of our products. No responsibility is assumed by TOSHIBA CORPORATION for any infringements of intellectual property or other rights of the third parties which may result from its use. No license is granted by implication or otherwise under any intellectual property or other rights of TOSHIBA CORPORATION or others.
- The information contained herein is subject to change without notice.

BLOCK DIAGRAM



PACKAGE DIMENSIONS
SDIP36-P-500-1.78

Unit : mm



Weight : 2.98 g (Typ.)