

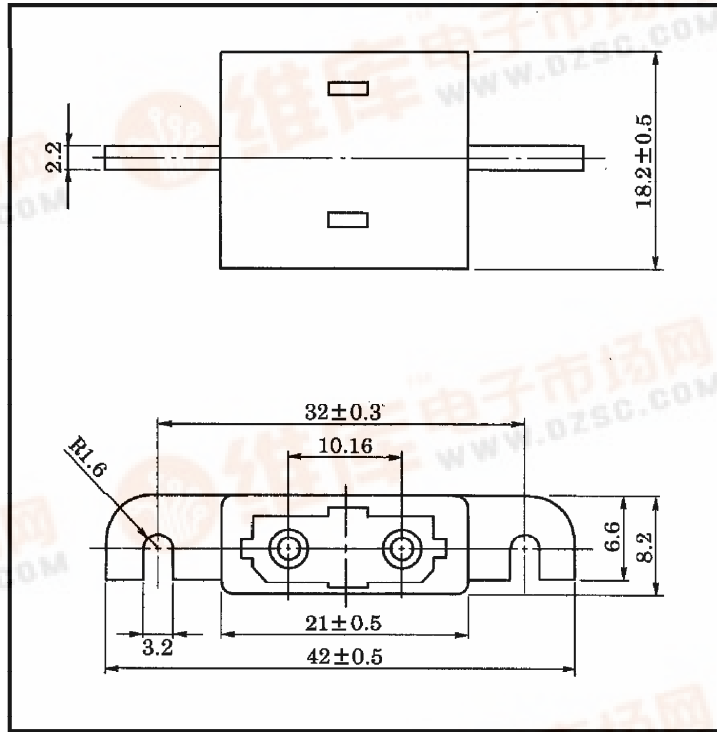
ADAPTER

# TOCA250

DUPLEX TYPE OPTICAL ADAPTER

Unit in mm

For TOCP200 / TOCP200P (APF)  
TOCP255 / TOCP255P (APF)



### 1. Maximum Ratings

ITEM	SYMBOL	RATINGS	UNIT
Storage Temperature	T <sub>stg</sub>	-40 to 85	°C
Operating Temperature	T <sub>opr</sub>	-20 to 70	°C

### 2. Optical Characteristics (Ta = 25°C)

ITEM	SYMBOL	CONDITIONS	MIN.	TYP.	MAX.	UNIT
Connection Loss	LC	TOCP200 / TOCP200P	—	—	2.5	dB
		TOCP255 / TOCP255P (1)	—	—	3	dB

Note (1) Optical fiber with polished surface.

### 3. Precautions for Operation

- (1) The maximum ratings show the limits, which must not be exceeded even momentarily regardless of the external condition. Operation beyond the limit of the maximum rating may cause failure of the devices. Therefore, special attention should be given to the maximum ratings.
- (2) This adapter is possible to use for APF fiber optic connectors only (TOCP200, TOCP200P, TOCP255, TOCP255P). Do not use for PCF fiber optic connectors.

961001EAA2

● TOSHIBA is continually working to improve the quality and the reliability of its products. Nevertheless, semiconductor devices in general can malfunction or fail due to their inherent electrical sensitivity and vulnerability to physical stress. It is the responsibility of the buyer, when utilizing TOSHIBA products, to observe standards of safety, and to avoid situations in which a malfunction or failure of a TOSHIBA product could cause loss of human life, bodily injury or damage to property. In developing your designs, please ensure that TOSHIBA products are used within specified operating ranges as set forth in the most recent products specifications. Also, please keep in mind the precautions and conditions set forth in the TOSHIBA Semiconductor Reliability Handbook.

● The information contained herein is presented only as a guide for the applications of our products. No responsibility is assumed by TOSHIBA CORPORATION for any infringements of intellectual property or other rights of the third parties which may result from its use. No license is granted by implication or otherwise under any intellectual property or other rights of TOSHIBA CORPORATION or others.

● The information contained herein is subject to change without notice.

