

TOSHIBA

TA2142FN

TENTATIVE TOSHIBA BIPOLAR LINEAR INTEGRATED CIRCUIT SILICON MONOLITHIC

TA2142FN

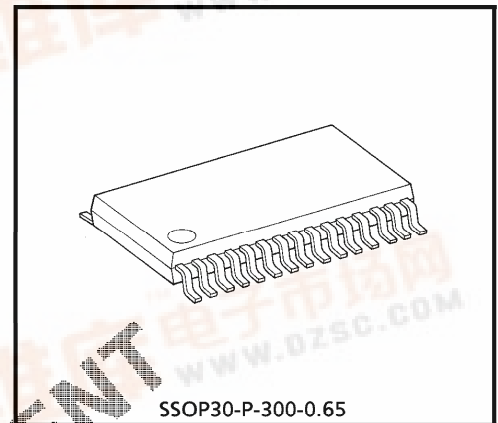
1.5 V AM / FM 1 CHIP TUNER IC (FOR DIGITAL TUNING SYSTEM)

TA2142FN is the AM / FM 1 chip tuner IC, which is designed for portable radios.

This is suitable for digital Tuning system applications. FM local oscillation voltage is set up low relativity, for NEW FCC.

FEATURES

- For NEW FCC
- Suitable for combination with digital tuning system, which is included IF counter.
- One terminal type AM / FM IF count output for if counter of digital tuning system.
 - AM : 450 kHz
 - FM : 10.7 MHz
- One terminal type AM / FM osc buffer output. (FM : 1 / 16 dividing)
- For adopting ceramic discriminator, it is not necessary to adjust the FM quad detector circuit.
- Built-in FM MPX V_{CO} circuit
- Low supply current (V_{CC} = 1.2 V, Ta = 25°C)
 - I_{ccq} (AM) = 4.7 mA (Typ.)
 - I_{ccq} (FM) = 9.5 mA (Typ.)
- Operating supply voltage : V_{CC} = 0.95~2.2 V (Ta = 25°C)
- Operating supply voltage : V_{CC} = 1.0~2.2 V (Ta = 25°C)

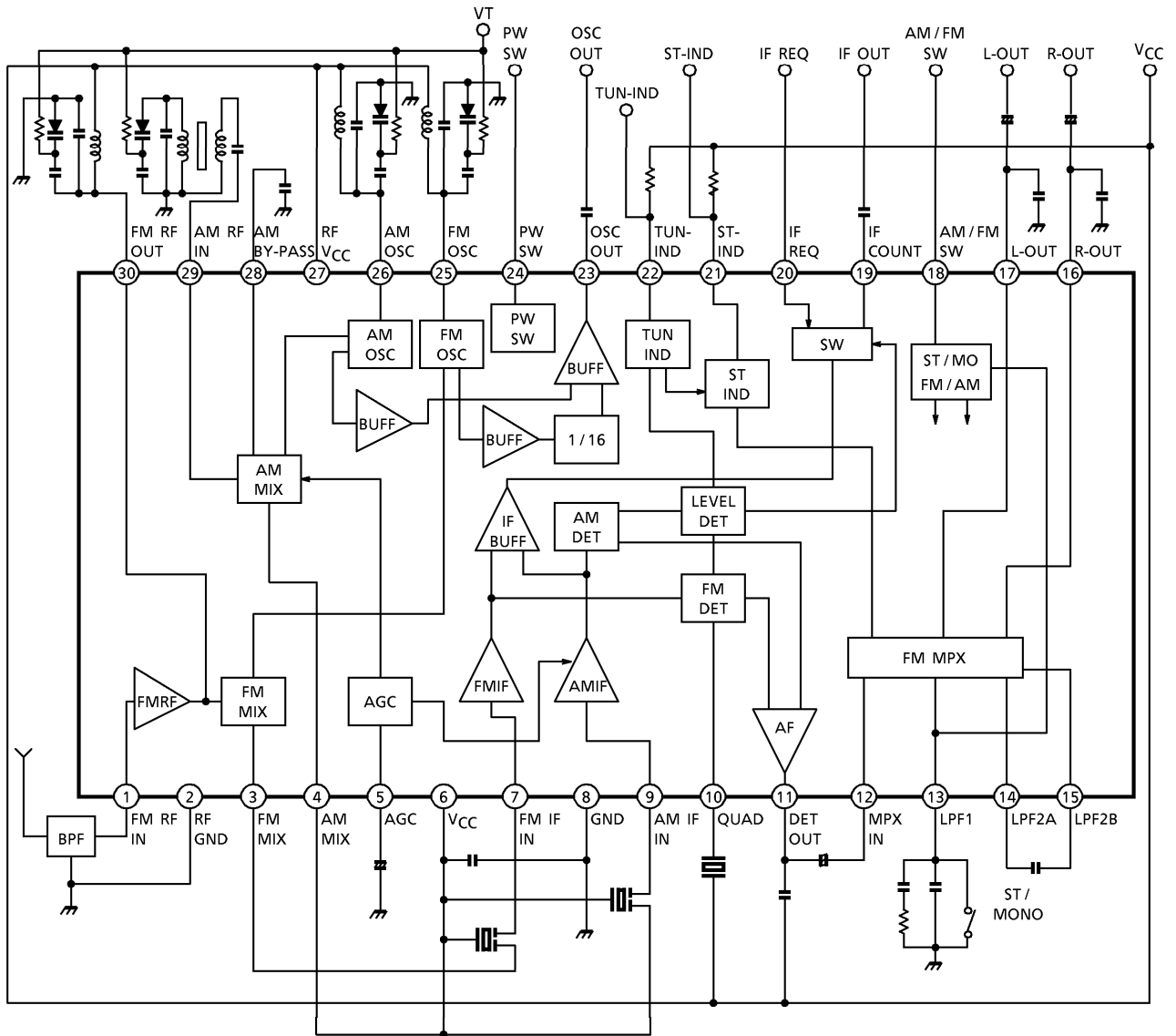


Weight : 0.17 g (Typ.)

980910EBA1

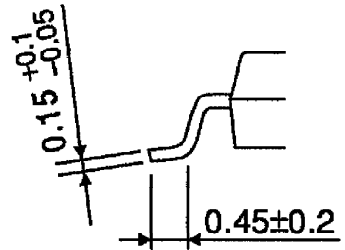
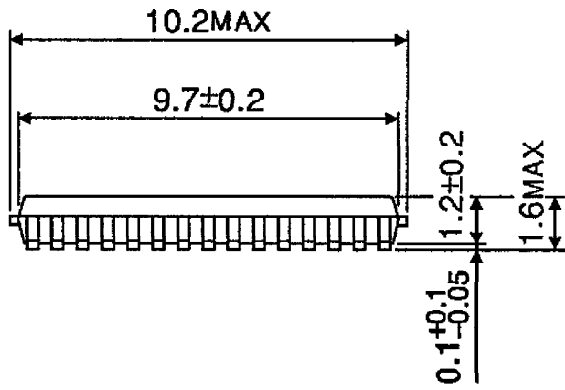
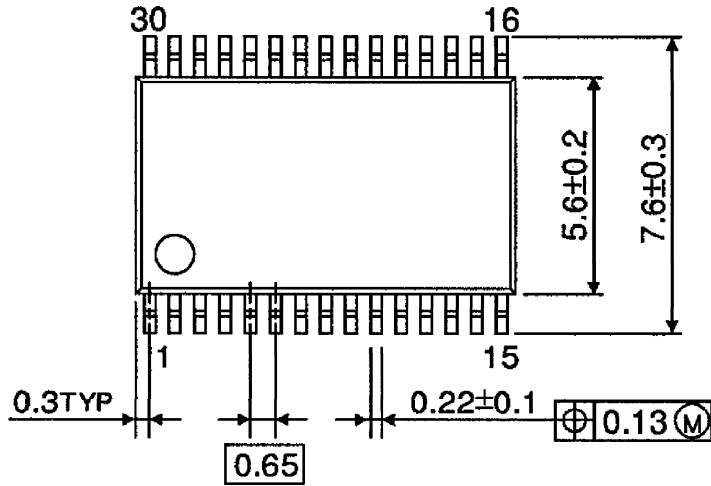
- TOSHIBA is continually working to improve the quality and the reliability of its products. Nevertheless, semiconductor devices in general can malfunction or fail due to their inherent electrical sensitivity and vulnerability to physical stress. It is the responsibility of the buyer, when utilizing TOSHIBA products, to observe standards of safety, and to avoid situations in which a malfunction or failure of a TOSHIBA product could cause loss of human life, bodily injury or damage to property. In developing your designs, please ensure that TOSHIBA products are used within specified operating ranges as set forth in the most recent products specifications. Also, please keep in mind the precautions and conditions set forth in the TOSHIBA Semiconductor Reliability Handbook.
- The products described in this document are subject to the foreign exchange and foreign trade laws.
- The information contained herein is presented only as a guide for the applications of our products. No responsibility is assumed by TOSHIBA CORPORATION for any infringements of intellectual property or other rights of the third parties which may result from its use. No license is granted by implication or otherwise under any intellectual property or other rights of TOSHIBA CORPORATION or others.
- The information contained herein is subject to change without notice.

BLOCK DIAGRAM



PACKAGE DIMENSIONS
SSOP30-P-300-0.65

Unit : mm



Weight : 0.17 g (Typ.)