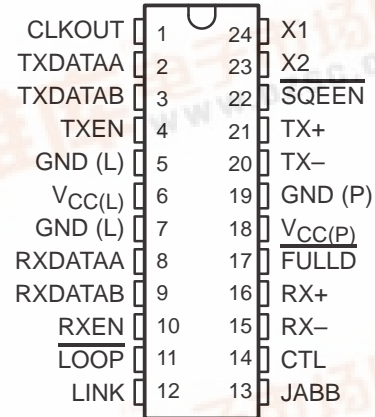


SN75LBC086 DIFFERENTIAL I/O DRIVER/RECEIVER PAIR WITH SQUELCH, JABBER CONTROL, AND COLLISION DETECTION

SLLS120A – JUNE 1991 – REVISED SEPTEMBER 1991

- Meets or Exceeds the IEEE STD 802.3I, Type 10BASE-T
- Differential (Twisted-Pair) I/O Driver/Receiver
- High-Speed Receiver . . . $t_{pd} = 50 \text{ ns Max}$
- Receiver Squelch Circuit Integrity Improved With Noise Filter
- Jabber Control Prevents Network Lockup
- Collision Detection for Multiple-User Networks
- Data Link Integrity Monitored With Link Test Pulse
- Externally Addressable Test Register Controls Signal Quality Error Testing
- CMOS and Raised ECL Compatible
- 24-Terminal, 300-mil Dual-In-Line Package

DW PACKAGE
(TOP VIEW)



description

The SN75LBC086 is a single-channel differential driver/receiver interface device for the medium attachment unit (MAU) used in 10-MHz twisted-pair Ethernet applications. The device uses a 5-V supply and is designed to interface with two pairs of telephone-grade twisted-pair cables coupled through isolation transformers. The functional components of the device include a differential receiver and driver, receiver squelch with noise filter, jabber controls, collision detection, data link monitor, and signal quality error (SQE) testing. The LinBiCMOS™ process technology is used in the device design to ensure analog precision, low power, and high-speed operation.

The device contains an elaborate receiver-squelch circuit† that provides an improved level of noise rejection by qualifying the incoming signal stream with three different criteria. First, the signal is compared to a set threshold voltage level. Then, the pulse duration is compared to a set time window. Last, the signal must follow a set pattern of positive and negative pulses before the circuit finally opens the receiver channel to the incoming data packet.

The jabber control is designed to prevent a defective controller from locking up the network by limiting the data packet transmission time to 20 to 30 ms. When a packet length exceeds 20 to 30 ms, the driver is turned off for about 600 ms. The driver-enable input must be made inactive by the controller during this period before the jabber control will release the driver. The JABB output is active (high) when a jabber condition exists.

Collision detection is used to arbitrate access to the multiuser network. This detection is done logically by monitoring the receive line for a valid signal during a driver transmission. When a collision is detected, this device informs the controller with an active-high CTL output. After a valid packet transmission, the device also performs a signal quality error test causing the CTL output to go active (high). This test is disabled when the $\overline{\text{SQEEN}}$ input goes inactive (high).

The device tests data-link integrity during the idle state by periodically driving the driver line with a unipolar pulse called a link-test pulse. The receiver looks for this link-test pulse on the receive line. A failed line link is indicated by a high-impedance state at the LINK output. This output drives an LED for monitoring if needed.

An internal test register is externally controlled with inputs $\overline{\text{FULLD}}$ and $\overline{\text{LOOP}}$ to select the device testing mode. When in the test mode, serial test-mode control patterns are clocked into the test register through input $\overline{\text{SQEEN}}$. These control patterns select various modes to test the internal circuits.

† Embodies technology covered by one or more Digital Equipment Corporation Patents.
LinBiCMOS is a trademark of Texas Instruments Incorporated.

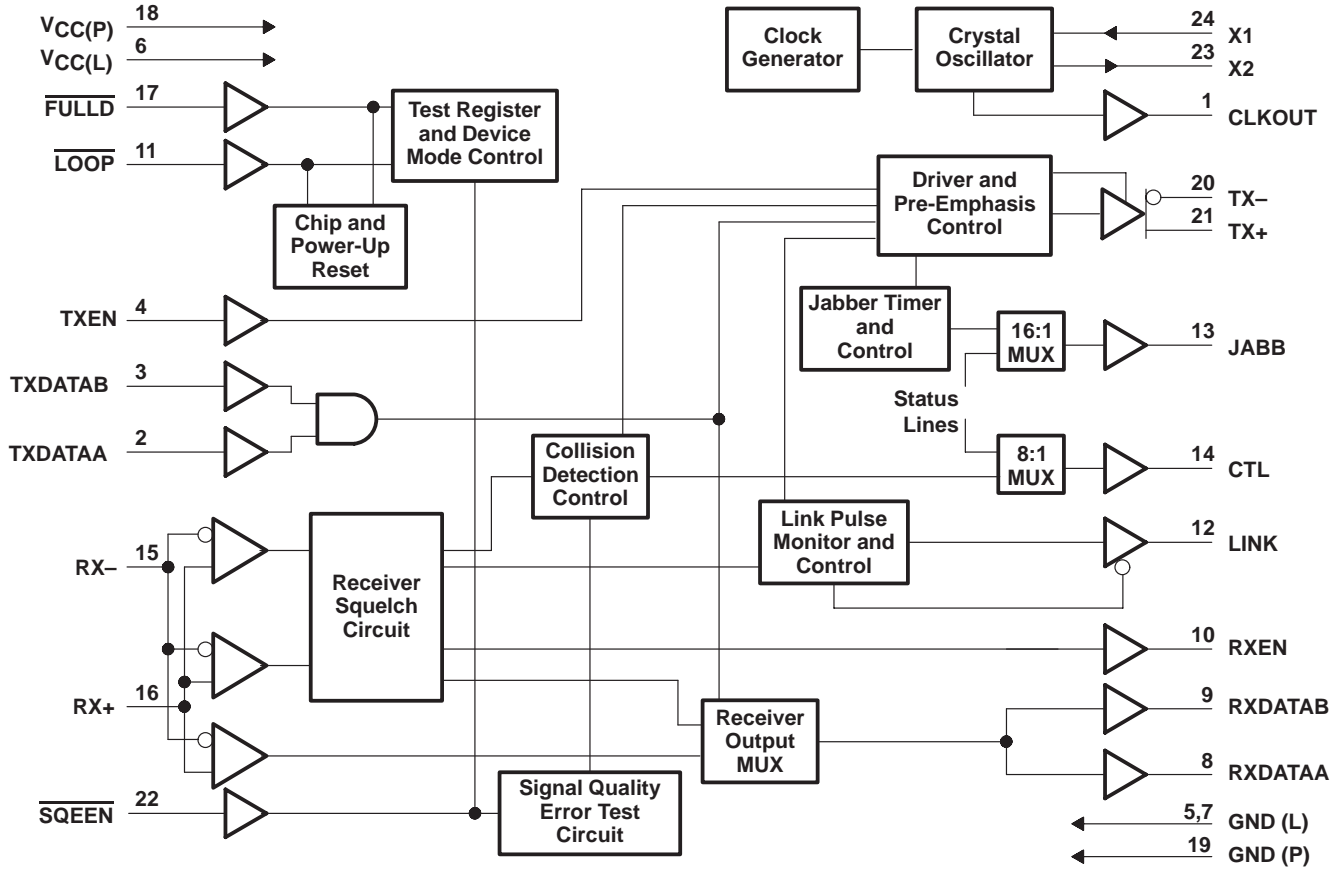
SN75LBC086

DIFFERENTIAL I/O DRIVER/RECEIVER PAIR

WITH SQUELCH, JABBER CONTROL, AND COLLISION DETECTION

SLLS120A – JUNE 1991 – REVISED SEPTEMBER 1991

functional block diagram



SN75LBC086

DIFFERENTIAL I/O DRIVER/RECEIVER PAIR WITH SQUELCH, JABBER CONTROL, AND COLLISION DETECTION

SLLS120A – JUNE 1991 – REVISED SEPTEMBER 1991

Terminal Functions

TERMINAL			I/O	DESCRIPTION
NAME	LEVEL	NO.		
CLKOUT	CMOS	1	O	Clock output. This 10-MHz buffered clock drives other interface devices.
CTL	CMOS	14	O	Control. In normal mode, CTL high indicates a collision. In test mode, status lines are muxed out.
FULLD	TTL	17	I	Full-duplex mode. When active (low), the device is placed in the full-duplex operating mode for simple point-to-point communication applications. In the full-duplex mode, the receiver and driver are both active with collision detection disabled. After LOOP and FULLD go active (low), in that order, a device reset is initiated and while both are active (low), test select data clocks into the test register using a 100-ns clock at the X1 input. This terminal is held inactive (high) due to an internal pullup resistor.
GND (L)	GROUND	5 7		Logic grounds. These terminals provide a ground return for the CMOS core logic.
GND (P)	GROUND	19		Power ground. This provides a ground return for the input and output buffers, driver (transmitter), and receiver circuits.
JABB	CMOS	13	O	Jabber control. When a jabber condition exists during normal mode operation, this signal goes active (high) to report jabber-control status to the controller. In the test mode, this provides a multiplexed signal for internal timer and counter functions.
LINK	CMOS	12	O	Link status. This 3-state output indicates the status of the receiver and interface link. When driving an LED (with anode to resistor to V _{CC}), a high-impedance level indicates a failed link and the LED is off. A momentary high level indicates the device is receiving valid data and the LED is blinking on and off. A continuous low level indicates the device is receiving valid link pulses but no data, and the LED is on.
LOOP	TTL	11	I	Loop-back mode. When the device is in the normal operating mode (not test mode) and LOOP is active (low), the driver (transmit) data is directed to the receive data path to put the device in the loop-back mode and the driver is turned off. After LOOP and FULLD go active (low), in that order, a device reset is initiated and while both are active (low), test select data clocks into the test register using a 100-ns clock at the X1 input. This terminal is held inactive (high) due to an internal pullup resistor.
RX+		16	I	Differential receiver inputs
RX-		15	I	
RXEN	CMOS	10	O	Receiver squelch status. This provides squelch status information to the controller. When active (high), this signal indicates that the data path is valid or open from the receive channel through the device. An inactive (low) indicates that the receive channel is squelched or closed. This signal is capable of driving an LED monitor.
RXDATAA	CMOS	8	O	Received-data serial outputs. These outputs provide a choice of logic levels and serial data either from the differential receiver input (RX+ and RX-) or data from the controller (TXDATAA or TXDATAB) when in the loop-back mode. When the receiver is idle, these output levels are normally high. These terminals are held inactive (high) due to an internal pullup resistor.
RXDATAB	ECL	9	O	
SQEEN	TTL	22	I	Signal-quality error-test enable. In normal operating mode, this enables the SQE test function performed at the end of a data packet transmission. In the test mode, SQEEN is used (with X1 clock) as a serial data input port to load test patterns or selections into the test register. This terminal is held inactive (high) due to an internal pullup resistor.
TX+		21	O	Differential driver outputs
TX-		20	O	
TXEN	TTL	4	I	Transmitter (driver) enable. When TXEN is active (high), serial data at the TXDATA inputs starts and stops the driver. When TXEN is inactive (low), the driver begins transmitting an idle signal independent of the TXDATA inputs.
TXDATAA	CMOS	2	I	Transmit-data inputs. A choice of logic-level inputs provide Manchester-encoded serial data to the driver. Internal pullup resistors are included.
TXDATAB	ECL	3	I	
V _{CC} (L)	SUPPLY	6		V _{CC} logic power supply. This provides power to the CMOS core logic.
V _{CC} (P)	SUPPLY	18		V _{CC} power supply. This provides power to the input and output buffers, drivers, and receivers.
X1	CMOS	24	I	Crystal input/output. X1 provides an input from an external 10-MHz crystal or another external clock source when the crystal is disconnected. X2 provides an oscillator output.
X2		23	O	

SN75LBC086

DIFFERENTIAL I/O DRIVER/RECEIVER PAIR

WITH SQUELCH, JABBER CONTROL, AND COLLISION DETECTION

SLLS120A – JUNE 1991 – REVISED SEPTEMBER 1991

absolute maximum ratings over operating free-air temperature range (unless otherwise noted)†

Supply voltage range, V_{CC} (see Note 1)	–0.5 V to 7 V
Input voltage range at any input, V_I	–0.5 V to 5.5 V
Output voltage range at any output, V_O	–0.5 V to 7 V
Continuous total power dissipation	See Dissipation Rating Table
Operating free-air temperature range, T_A	0°C to 70°C
Storage temperature range, T_{stg}	–65°C to 150°C
Lead temperature 1,6 mm (1/16 inch) from case for 10 seconds	260°C

† Stresses beyond those listed under “absolute maximum ratings” may cause permanent damage to the device. These are stress ratings only, and functional operation of the device at these or any other conditions beyond those indicated under “recommended operating conditions” is not implied. Exposure to absolute-maximum-rated conditions for extended periods may affect device reliability.

NOTE 1: All voltages are with respect to device ground pins GND(L) and GND(P) shorted together.

DISSIPATION RATING TABLE

PACKAGE	$T_A \leq 25^\circ\text{C}$ POWER RATING	DERATING FACTOR ABOVE $T_A = 25^\circ\text{C}$	$T_A = 70^\circ\text{C}$ POWER RATING
DW	1350 mW	10.8 mW/°C	864 mW

recommended operating conditions

		MIN	NOM	MAX	UNIT
Supply voltage, V_{CC}		4.75	5	5.25	V
High-level output voltage, V_{IH}	TXDATAA, X1	3.15			V
	TXDATAB (see Figure 1)	$T_A = 0^\circ\text{C}$	$0.984V_{CC} - 0.922$	$0.984V_{CC} - 0.763$	
		$T_A = 25^\circ\text{C}$	$0.984V_{CC} - 0.877$	$0.984V_{CC} - 0.727$	
		$T_A = 70^\circ\text{C}$	$0.984V_{CC} - 0.825$	$0.984V_{CC} - 0.645$	
$\overline{\text{TXEN}}, \overline{\text{LOOP}},$ $\overline{\text{FULLD}}, \overline{\text{SQEEN}}$	2				
Low-level output voltage, V_{IL}	TXDATAA, X1	0.8			V
	TXDATAB (see Figure 1)	$T_A = 0^\circ\text{C}$	$0.75V_{CC} - 0.59$	$0.75V_{CC} - 0.375$	
		$T_A = 25^\circ\text{C}$	$0.75V_{CC} - 0.55$	$0.75V_{CC} - 0.35$	
		$T_A = 70^\circ\text{C}$	$0.75V_{CC} - 0.531$	$0.75V_{CC} - 0.324$	
$\overline{\text{TXEN}}, \overline{\text{LOOP}},$ $\overline{\text{FULLD}}, \overline{\text{SQEEN}}$	0.8				
Differential input voltage, V_{ID}		0.586		2.8	V
Common-mode input voltage, V_{IC}		1.8		3.2	V
Operating free-air temperature, T_A		0		70	°C

SN75LBC086
DIFFERENTIAL I/O DRIVER/RECEIVER PAIR
WITH SQUELCH, JABBER CONTROL, AND COLLISION DETECTION
 SLLS120A – JUNE 1991 – REVISED SEPTEMBER 1991

electrical characteristics over recommended operating free-air temperature and supply voltage range (unless otherwise noted)

drivers

PARAMETER		TEST CONDITIONS	MIN	TYP	MAX	UNIT
V _{OH}	High-level output voltage	CLKOUT, RXDATAA, RXEN, JABB, CTL	I _{OH} = -12 mA		3.7	V
		RXDATAB	See Figure 1	T _A = 0°C	0.984 V _{CC} - 0.922	0.984 V _{CC} - 0.763
	T _A = 25°C			0.984 V _{CC} - 0.877	0.984 V _{CC} - 0.727	
	T _A = 70°C			0.984 V _{CC} - 0.825	0.984 V _{CC} - 0.645	
V _{OL}	Low-level output voltage	CLKOUT, RXDATAA, RXEN, JABB, CTL	I _{OL} = 16 mA		0.5	V
		RXDATAB	See Figure 1	T _A = 0°C	0.75 V _{CC} - 0.59	0.75 V _{CC} - 0.375
	T _A = 25°C			0.75 V _{CC} - 0.55	0.75 V _{CC} - 0.35	
	T _A = 70°C			0.75 V _{CC} - 0.531	0.75 V _{CC} - 0.324	
		LINK	I _{OL} = 12 mA		0.5	V
V _{OD}	Differential-output voltage (peak)	See Figure 2	2.2		2.8	V
V _{OD}	Differential-output voltage (step)	See Figure 2	1.53		1.982	V
	Common-mode driver impedance	TX+, TX-	2	5	8	Ω

receivers

PARAMETER		TEST CONDITIONS†	MIN	MAX	UNIT	
I _{IH}	High-level input current	TXDATAA, TXEN, LOOP, FULLD, SQUEEN	V _I = 5.25 V		20	μA
		X1			100	
		TXDATAB	V _{IH} = MAX	400		
I _{IL}	Low-level input current	TXDATAA, TXEN, LOOP, FULLD, SQUEEN	V _I = 0		-20	μA
		X1			-100	
		TXDATAB	V _{IL} = MIN	-400		

† For conditions shown as MIN or MAX, use the appropriate value specified under recommended operating conditions.

drivers and receivers

PARAMETER		TEST CONDITIONS	MIN	MAX	UNIT
I _{CC}	Supply current	V _{CC(L)} , V _{CC(P)}	V _{CC(L)} = 5.25 V, V _{CC(P)} = 5.25 V		180 mA

SN75LBC086

DIFFERENTIAL I/O DRIVER/RECEIVER PAIR

WITH SQUELCH, JABBER CONTROL, AND COLLISION DETECTION

SLLS120A – JUNE 1991 – REVISED SEPTEMBER 1991

switching characteristics

PARAMETER		FROM (INPUT)	TO (OUTPUT)	TEST CONDITIONS	MIN	TYP	MAX	UNIT
t _{pd1}	Propagation delay time	RX+, RX-	RXEN	See Figure 4			5 bit times	
t _{pd2}	Propagation delay time at startup	RX+, RX-	RXDATAA or RXDATAB high	See Figure 4			75	ns
t _{sk(o)}	Output skew time	RXEN high	RXDATAA or RXDATAB low	See Figure 4			±10	ns
t _{pd3}	Propagation delay time after startup	RX+, RX-	RXDATAA or RXDATAB high	See Figure 4			50	ns
t _{sk(p)}	Pulse skew time (t _{pd3(LH)} - t _{pd3(HL)})	RX+, RX-	RXDATAA or RXDATAAB	See Figure 4		2		ns
t _{pd4}	Propagation delay time	RX+, RX-	RXEN low	See Figure 5	155		250	ns
t _{pd5}	Propagation delay time	TXDATA or TXDATAB	TX+, TX-	See Figure 6			75	ns
t _{sk(p)}	Pulse skew time (t _{pd5(LH)} - t _{pd5(HL)})	TXDATAA or TXDATAB	TX+, TX-	See Figure 6		2		ns
t _{pd6}	Propagation delay time in loop mode	TXDATAA or TXDATAB	RXDATAA, RXDATAB	See Figure 7			50	ns
t _{pd7}	Propagation delay time in loop mode	TXEN high	RXEN high	See Figure 7			50	ns
t _{pd8}	Propagation delay time in loop mode	LOOP low	RXEN low	See Figure 7			30	ns
t _{pd10}	Propagation delay time	TXEN low	RXEN low	See Figure 8			350	ns
t _{pd11}	Propagation delay time	TXEN low	TX+, TX- high	See Figure 8			50	ns
t _{p1}	Precompensation pulse duration		TX+, TX-	See Figure 6	45		55	ns
t _{p2}	Receiver link-beat minimum pulse duration			See Figure 9	80		120	ns
t _{en1}	Enable time	TXDATAA or TXDATAB	TX+, TX-	See Figure 6			75	ns
t _{en2}	Enable time	TXEN	TX+, TX-	See Figure 6			75	ns
t _{dis1}	Disable time, caused by TXDATAA or TXDATAB high or TXEN low	TX+, TX- high	TX+, TX- at 585-mV level	See Figure 8	250			ns
t _{pd12}	Propagation delay time to looped RXEN	TXEN high	RXEN high	See Figure 6			100	ns
t _{pd13}	Propagation delay time for looped back data	TXDATAA or TXDATAB	RXDATAA RXDATAB	See Figure 6			75	ns

timing requirements

	TEST CONDITIONS	MIN	MAX	UNIT
Setup time, test mode, $\overline{\text{SQEEN}}$ before X1↑, t _{su1}	See Figure 10	30		ns
Setup time, test mode, $\overline{\text{LOOP}}$ low before FULLD↓, t _{su2}	See Figure 10	25		ns
Hold time, test mode, $\overline{\text{SQEEN}}$ after X1↑, t _{h1}	See Figure 10	25		ns

SN75LBC086
DIFFERENTIAL I/O DRIVER/RECEIVER PAIR
WITH SQUELCH, JABBER CONTROL, AND COLLISION DETECTION
SLLS120A – JUNE 1991 – REVISED SEPTEMBER 1991

PARAMETER MEASUREMENT INFORMATION

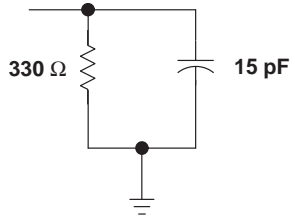


Figure 1. ECL Load Circuit

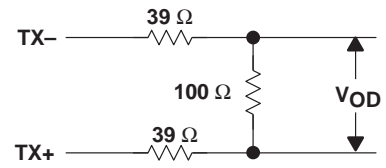


Figure 2. Differential Load Circuit

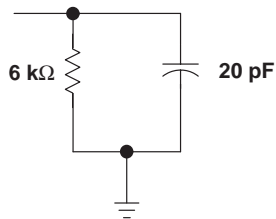


Figure 3. CMOS Load Circuit

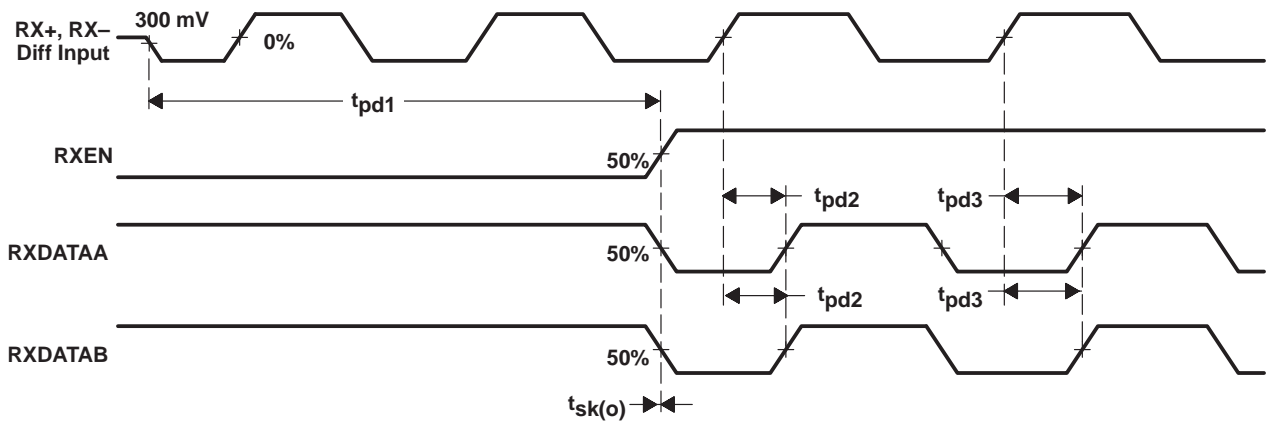


Figure 4. Receiver Startup Waveforms

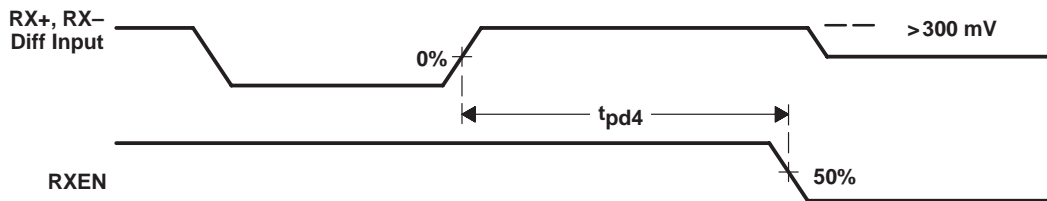


Figure 5. Receiver Shutdown Waveforms

SN75LBC086
DIFFERENTIAL I/O DRIVER/RECEIVER PAIR
WITH SQUELCH, JABBER CONTROL, AND COLLISION DETECTION
 SLLS120A – JUNE 1991 – REVISED SEPTEMBER 1991

PARAMETER MEASUREMENT INFORMATION

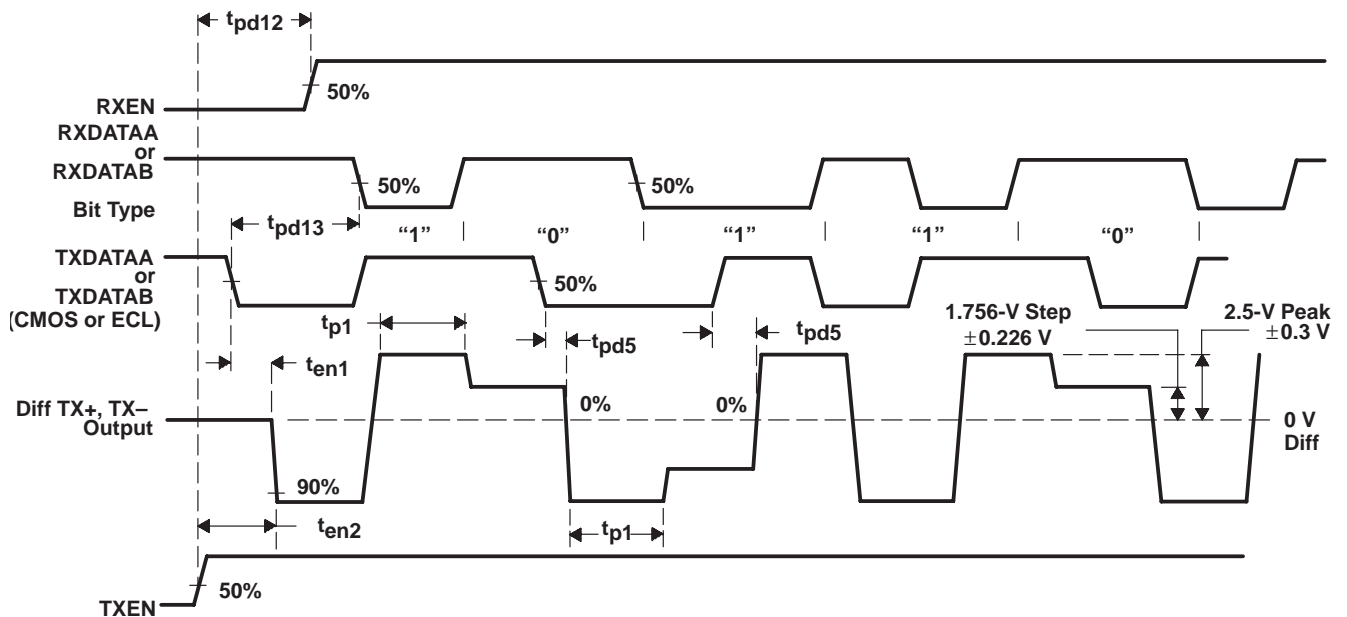


Figure 6. Driver Startup Waveforms

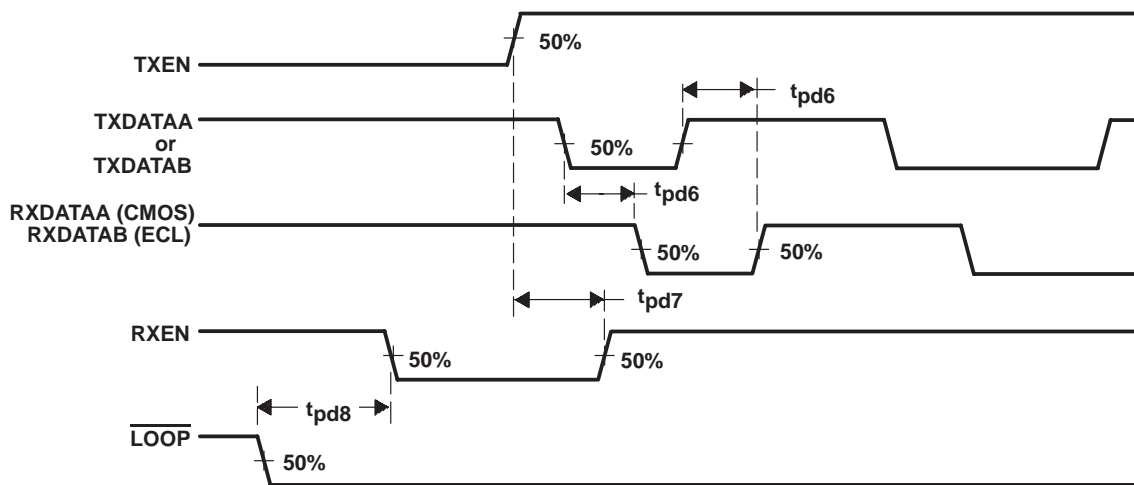


Figure 7. Propagation Delay Waveforms in Loop Mode

SN75LBC086
DIFFERENTIAL I/O DRIVER/RECEIVER PAIR
WITH SQUELCH, JABBER CONTROL, AND COLLISION DETECTION
SLLS120A – JUNE 1991 – REVISED SEPTEMBER 1991

PARAMETER MEASUREMENT INFORMATION

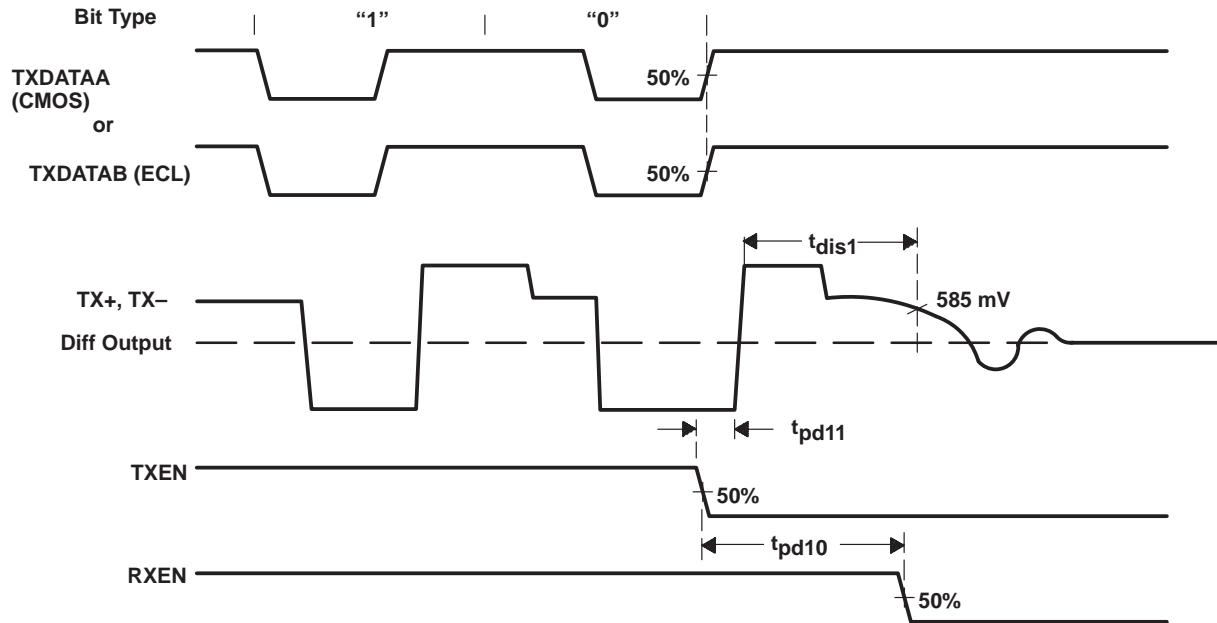


Figure 8. Driver Shutdown Waveforms

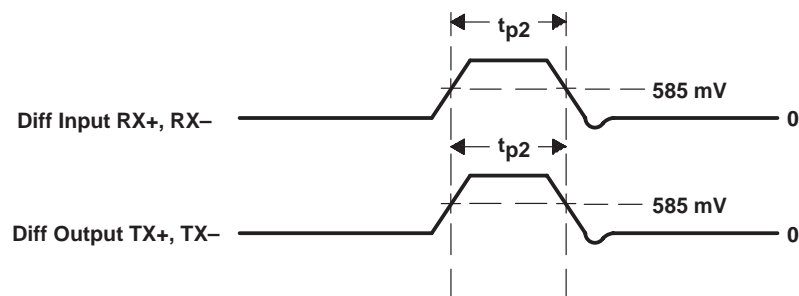


Figure 9. Link Beat Pulse Duration Waveform

SN75LBC086
DIFFERENTIAL I/O DRIVER/RECEIVER PAIR
WITH SQUELCH, JABBER CONTROL, AND COLLISION DETECTION
SLLS120A – JUNE 1991 – REVISED SEPTEMBER 1991

PARAMETER MEASUREMENT INFORMATION

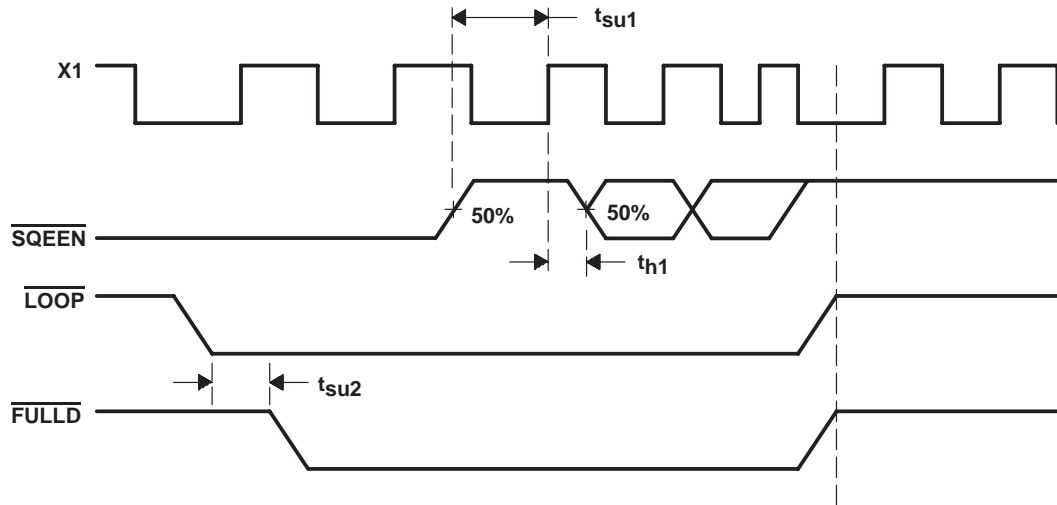


Figure 10. Setup and Hold Time Waveforms

IMPORTANT NOTICE

Texas Instruments and its subsidiaries (TI) reserve the right to make changes to their products or to discontinue any product or service without notice, and advise customers to obtain the latest version of relevant information to verify, before placing orders, that information being relied on is current and complete. All products are sold subject to the terms and conditions of sale supplied at the time of order acknowledgement, including those pertaining to warranty, patent infringement, and limitation of liability.

TI warrants performance of its semiconductor products to the specifications applicable at the time of sale in accordance with TI's standard warranty. Testing and other quality control techniques are utilized to the extent TI deems necessary to support this warranty. Specific testing of all parameters of each device is not necessarily performed, except those mandated by government requirements.

CERTAIN APPLICATIONS USING SEMICONDUCTOR PRODUCTS MAY INVOLVE POTENTIAL RISKS OF DEATH, PERSONAL INJURY, OR SEVERE PROPERTY OR ENVIRONMENTAL DAMAGE ("CRITICAL APPLICATIONS"). TI SEMICONDUCTOR PRODUCTS ARE NOT DESIGNED, AUTHORIZED, OR WARRANTED TO BE SUITABLE FOR USE IN LIFE-SUPPORT DEVICES OR SYSTEMS OR OTHER CRITICAL APPLICATIONS. INCLUSION OF TI PRODUCTS IN SUCH APPLICATIONS IS UNDERSTOOD TO BE FULLY AT THE CUSTOMER'S RISK.

In order to minimize risks associated with the customer's applications, adequate design and operating safeguards must be provided by the customer to minimize inherent or procedural hazards.

TI assumes no liability for applications assistance or customer product design. TI does not warrant or represent that any license, either express or implied, is granted under any patent right, copyright, mask work right, or other intellectual property right of TI covering or relating to any combination, machine, or process in which such semiconductor products or services might be or are used. TI's publication of information regarding any third party's products or services does not constitute TI's approval, warranty or endorsement thereof.