

- **Drive Capability and Output Counts**
  - 80 mA (Current Sink) x 16 Bits
- **Constant Current Output Range**
  - 1 to 80 mA (Current Value Setting for All Output Terminals Using External Resistor)
- **Constant Current Accuracy**
  - ±1% (Typ)
  - ±4% (Max) (Maximum Error Between Bits, All Bits On)
- **Voltage Applied to Constant Current Output Terminal**
  - Minimum 0.6 V (Output Current 40 mA)
  - Minimum 1 V (Output Current 80 mA)
- **Data Input**
  - Clock Synchronized 1 Bit Serial Input
- **Data Output**
  - Clock Synchronized 1 bit Serial Output (With Timing Selection)
- **Input/Output Signal Level . . . CMOS Level**
- **Power Supply Voltage . . . 4.5 V to 5.5V**
- **Maximum Output Voltage . . . 17 V (Max)**
- **Data Transfer Rate . . . 20 MHz (Max)**
- **Operating Free-Air Temperature Range**
  - 20°C to 85°C
- **Available in 32 Pin HTSSOP DAP Package**
  - ( $P_D=3.9$  W,
  - $T_A = 25^\circ\text{C}$ )
- **LOD Function . . . LED Open Detection**
  - (Error Signal Output at LED Disconnection)
- **TSD Function . . . Thermal Shutdown**
  - (Turn Output Off When Junction Temperature Exceeds Limit)

DAP PACKAGE  
(TOP VIEW)

GND	1	32	VCC
BLANK	2	31	IREF
XLAT	3	30	SOMODE
SCLK	4	29	XDOWN
SIN	5	28	SOUT
PGND	6	27	PGND
OUT0	7	26	OUT15
OUT1	8	25	OUT14
PGND	9	24	PGND
OUT2	10	23	OUT13
OUT3	11	22	OUT12
OUT4	12	21	OUT11
OUT5	13	20	OUT10
PGND	14	19	PGND
OUT6	15	18	OUT9
OUT7	16	17	OUT8

## description

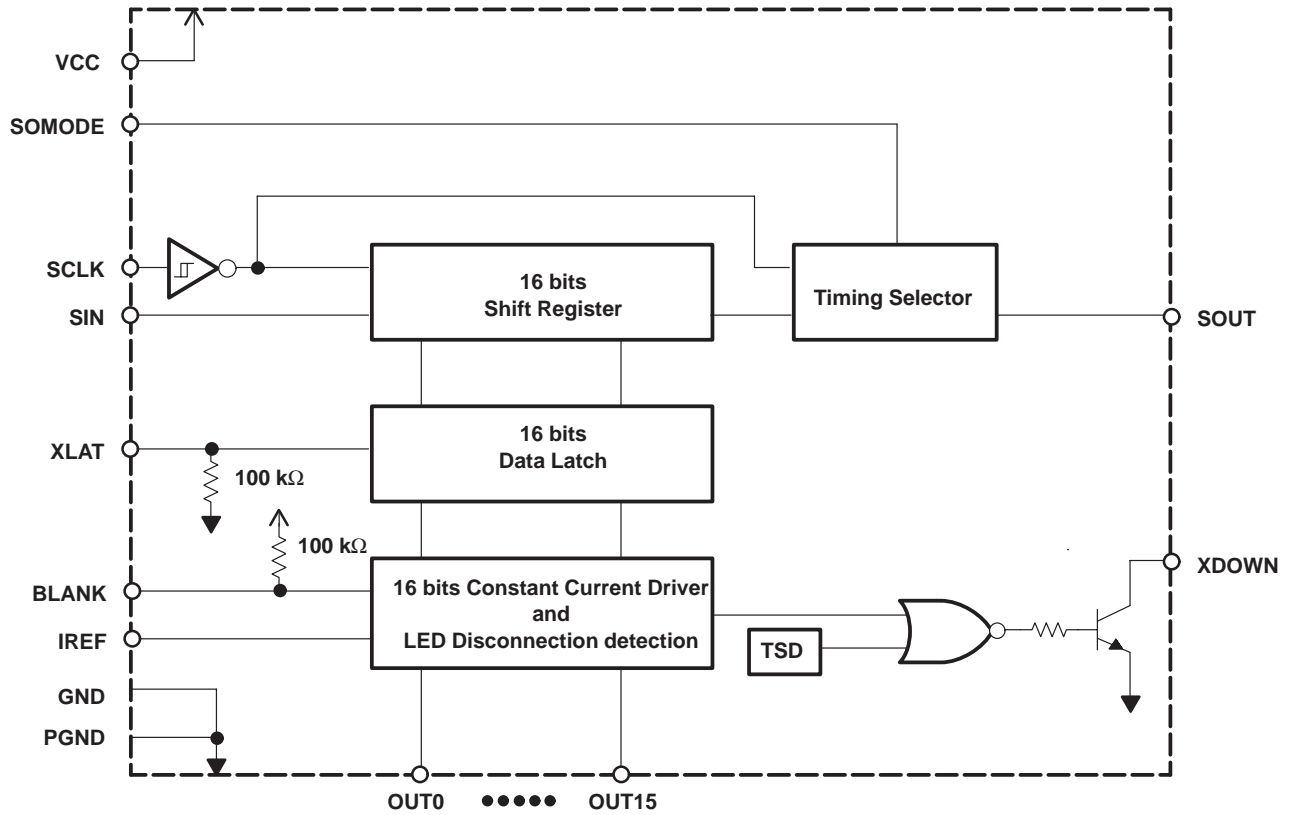
The TLC5921 is a current-sink constant current driver incorporating shift register and data latch. The current value at constant current output can be set by one external register. The device also incorporates thermal shutdown (TSD) circuitry which turns constant current output off when the junction temperature exceeds the limit, and LED open detection (LOD) circuitry to report the LED was disconnected.

Please be aware that an important notice concerning availability, standard warranty, and use in critical applications of Texas Instruments semiconductor products and disclaimers thereto appears at the end of this data sheet.

# TLC5921 LED DRIVER

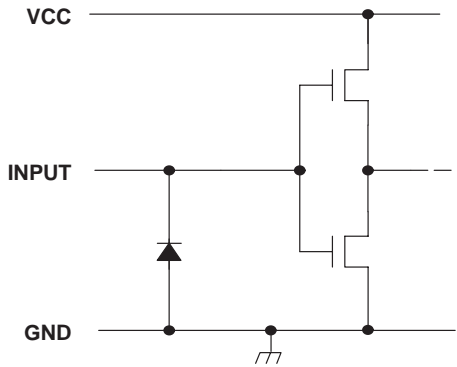
SLLS390 – SEPTEMBER 1999

## functional block diagram

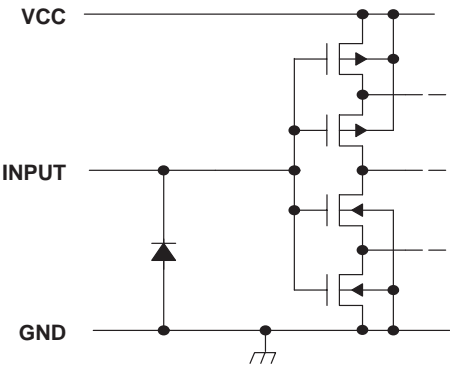


equivalent input and output schematic diagrams

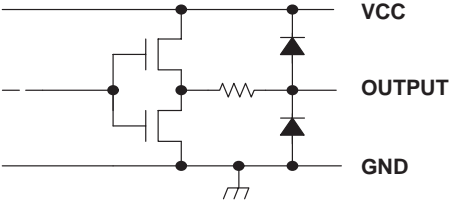
Input (except SCLK)



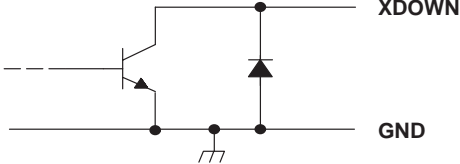
Input (SCLK)



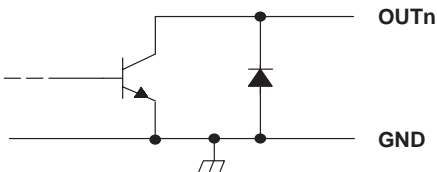
SOUT



XDOWN



OUTn



# TLC5921 LED DRIVER

SLLS390 – SEPTEMBER 1999

## Terminal Functions

TERMINAL NAME	TERMINAL NO.	I/O	DESCRIPTION
SIN	5	I	1 bit serial data input
SOUT	28	O	1 bit serial data output
SCLK	4	I	Clock input for data transfer. All the data in the shift register is shifted to MSB by 1 bit synchronizing to the rising edge of SCLK, and data at SIN is shifted to LSB at the same time. (Schmitt buffer input)
XLAT	3	I	Latch. When XLAT is high, data on shift register goes through latch. When XLAT is low, data is latched. Accordingly, if data on shift register is changed during XLAT high, this new value is latched (level latch). This terminal is internally pulled down with 100kΩ.
SOMODE	30	I	Timing select for serial data output. When SOMODE is low, output data on SOUT is changed synchronizing to the rising edge of SCLK. When SOMODE is high, output data on SOUT is changed synchronizing to the falling edge of SCLK.
OUT0 – OUT15	7,8,10,11,12,13,15,16,17,18,20,21,22,23,25,26	O	Constant current output.
BLANK	2	I	Blank(Light off). When BLANK is high, all the output of constant current driver is turned off. When BLANK is low and data written to latch is 1, the corresponding constant current output turns on (LED on). This terminal is internally pulled up with 100kΩ.
IREF	31	I	Constant current value setting. LED current is set to desired value by connecting external resistor between IREF and GND. The 38 times current compared to current across external resistor sink on output terminal.
XDOWN	29	O	Error output. XDOWN is configured as open collector. It goes low when TSD or LOD functions.
VCC	32		Power supply voltage
GND	1		Ground
PGND	6,9,14,19,24,27		Ground for LED driver. (Internally connected to GND)
THERMAL PAD	package bottom		Heat sink pad. This pad is connected to the lowest potential to IC or thermal layer.

### absolute maximum ratings (see Note 1)†

Supply voltage, $V_{CC}$	– 0.3 V to 7 V
Output current (dc), $I_{O(LC)}$	90 mA
Input voltage range, $V_I$	– 0.3 V to $V_{CC} + 0.3$ V
Output voltage range, $V_{O(SOUT)}, V_{O(XDOWN)}$	– 0.3 V to $V_{CC} + 0.3$ V
Output voltage range, $V_{O(OUTn)}$	– 0.3 V to 18 V
Storage temperature range, $T_{stg}$	–40°C to 150°C
Continuous total power dissipation at (or below) $T_A = 25^\circ\text{C}$	3.9 W
Power dissipation rating at (or above) $T_A = 25^\circ\text{C}$	31.4 mW/°C

† Stresses beyond those listed under “absolute maximum ratings” may cause permanent damage to the device. These are stress ratings only, and functional operation of the device at these or any other conditions beyond those indicated under “recommended operating conditions” is not implied. Exposure to absolute-maximum-rated conditions for extended periods may affect device reliability.

NOTE 1: All voltage values are with respect to GND terminal.

# TLC5921 LED DRIVER

SLLS390 – SEPTEMBER 1999

## recommended operating conditions

### dc characteristics

PARAMETER	CONDITIONS	MIN	NOM	MAX	UNIT
Supply voltage, $V_{CC}$		4.5	5	5.5	V
Voltage applied to constant current output, $V_O$	OUT0 to OUT15 off			17	V
High-level input voltage, $V_{IH}$		0.8 $V_{CC}$		$V_{CC}$	V
Low-level input voltage, $V_{IL}$		GND		0.2 $V_{CC}$	V
High-level output current, $I_{OH}$	$V_{CC} = 4.5$ V, SOUT			-1	mA
Low-level output current, $I_{OL}$	$V_{CC} = 4.5$ V, SOUT, XDOWN			1	
Constant output current, $I_{O(LC)}$	OUT0 to OUT15			80	mA
Operating free-air temperature range, $T_A$		-20		85	°C

### ac characteristics, MIN/MAX: $V_{CC} = 4.5$ V to 5.5 V, $T_A = -20$ to 85°C TYP: $V_{CC} = 5$ V, $T_A = 25$ °C (unless otherwise noted)

PARAMETER	CONDITIONS	MIN	TYP	MAX	UNIT
$f_{SCLK}$ SCLK clock frequency	At single operation			20	MHz
	At cascade operation (SOMODE = L)			15	
$t_{wh}/t_{wl}$ SCLK pulse duration		20			ns
$t_{wh}$ XLAT pulse duration		10			ns
$t_r/t_f$ Rise/fall time				100	ns
$t_{su}$ Setup time	SIN – SCLK	5			ns
	XLAT – SCLK	5			
$t_h$ Hold time	SIN – SCLK	20			ns
	XLAT – SCLK	20			

# TLC5921 LED DRIVER

SLLS390 – SEPTEMBER 1999

**electrical characteristics, MIN/MAX:  $V_{CC} = 4.5\text{ V to }5.5\text{ V}$ ,  $T_A = -20\text{ to }85^\circ\text{C}$   
TYP:  $V_{CC} = 5\text{ V}$ ,  $T_A = 25^\circ\text{C}$  (unless otherwise noted)**

PARAMETER		TEST CONDITIONS	MIN	TYP	MAX	UNIT
$V_{OH}$	High-level output voltage	$I_{OH} = -1\text{ mA}$	$V_{CC}$ -0.5V			V
$V_{OL}$	Low-level output voltage	$I_{OL} = 1\text{ mA}$			0.5	V
$I_I$	Input current	$V_I = V_{CC}$ or GND (except BLANK, XLAT)			$\pm 1$	$\mu\text{A}$
$I_{CC}$	Supply current	Input signal is static, $V_O = 1\text{ V}$ , $R_{(IREF)} = 10\text{ k}\Omega$ , All output bits turn off		3	4.5	mA
		Input signal is static, $V_O = 1\text{ V}$ , $R_{IREF} = 1300\ \Omega$ , All output bits turn off		7	9	
		Input signal is static, $V_O = 1\text{ V}$ , $R_{(IREF)} = 640\ \Omega$ , All output bits turn off		11	15	
		Data transfer, $V_O = 1\text{ V}$ , $R_{(IREF)} = 1300\ \Omega$ , All output bits turn on		15	20	
		Data transfer, $V_O = 1\text{ V}$ , $R_{(IREF)} = 640\ \Omega$ , All output bits turn on		35	50	
$I_{OL(C1)}$	Constant output current	$V_O = 1\text{ V}$ , $R_{(IREF)} = 1300\ \Omega$	35	40	45	mA
$I_{OL(C2)}$	Constant output current	$V_O = 1\text{ V}$ $R_{(IREF)} = 640\ \Omega$	70	80	90	mA
$I_{lkg}$	Constant output leakage current	OUT0 to OUT15 ( $V_{(OUTn)} = 15\text{ V}$ )			0.1	$\mu\text{A}$
		XDOWN (5V pullup)			1	$\mu\text{A}$
$\Delta I_{OLC}$	Constant output current error between bit	$V_O = 1\text{ V}$ , $R_{(IREF)} = 640\ \Omega$ , All output bits turn on		$\pm 1$	$\pm 4$	%
$\Delta I_{OLC1}$	Changes in constant output current depend on supply voltage	$V_{ref} = 1.3\text{ V}$		$\pm 1$	$\pm 4$	%/V
$\Delta I_{OLC2}$	Changes in constant output current depend on output voltage	$V_O = 1\text{ V to }3\text{ V}$ , $R_{(IREF)} = 1300\ \Omega$ , $V_{ref} = 1.3\text{ V}$ , 1 bit output turn on		$\pm 2$	$\pm 6$	%/V
$T_{(tsd)}$	TSD detection temperature	Junction temperature	150	160	170	$^\circ\text{C}$
$V_{ref}$	Reference voltage	$R_{(IREF)} = 640\ \Omega$		1.3		V
$V_{(LEDDT)}$	LED disconnection detection voltage			0.3		V

**switching characteristics,  $C_L = 15\text{ pF}$**

PARAMETER		TEST CONDITIONS	MIN	TYP	MAX	UNIT
$t_r$	Rise time	SOUT		15	20	ns
		OUTn (see Figure 1)		300		
$t_f$	Fall time	SOUT		5	15	ns
		OUTn		300		
$t_{pd}$	Propagation delay time	BLANK $\uparrow$ – OUTn		400	650	ns
		BLANK $\downarrow$ – OUTn		300	400	
		BLANK $\uparrow$ – XDOWN (see Note 2)		600	1000	
		BLANK $\downarrow$ – XDOWN (see Note 2)		500	1000	
		SCLK – SOUT	10	20	35	

NOTE 2: At external resistor 5 k $\Omega$

PARAMETER MEASUREMENT INFORMATION

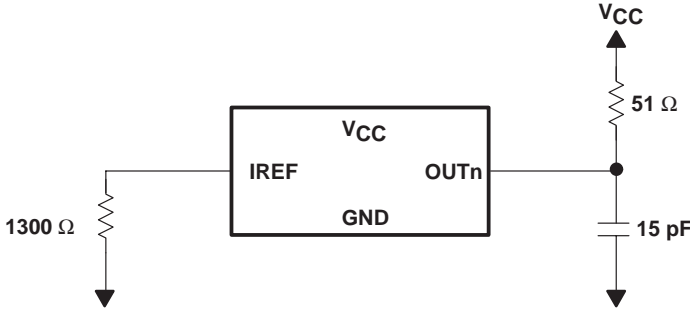


Figure 1. Rise Time and Fall Time Test Circuit for OUTn

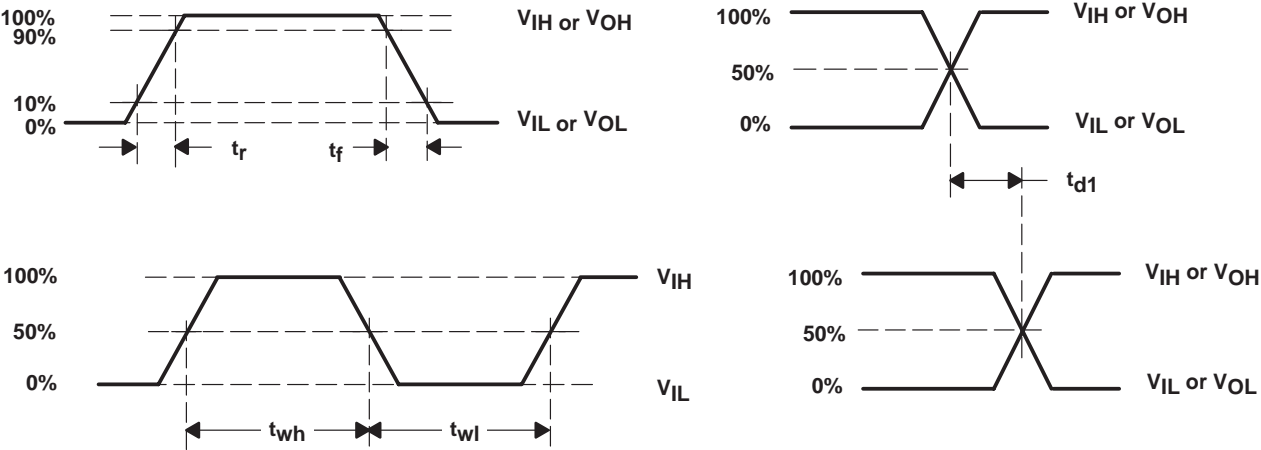


Figure 2. Timing Requirements

# TLC5921 LED DRIVER

SLLS390 – SEPTEMBER 1999

## PRINCIPLES OF OPERATION

### setting for constant output current value

The constant current value is determined by external resistor,  $R_{(IREF)}$  between IREF and GND. Refer constant output current characteristics shown on Figure 5 for this external resistor value.

Note that more current flows if connect IREF to GND directly.

### constant output current operation

When BLANK is low, the corresponding output is turned on if data latch value is 1, and turned off if data latch value is 0. When BLANK is high, all outputs are forced to turn off. If there is constant current output terminal left unconnected (includes LED disconnection), it should be lighted on after writing zero to corresponding data latch to its output. If this operation is not done, supply current through constant current driver will increase.

### shift register latch

The shift register latch is configured with  $16 \times 1$  bits. The 1 bit for constant current output data represents ON for constant current output if data is 1, or OFF if data is 0. The configuration of shift register latch is shown in below.

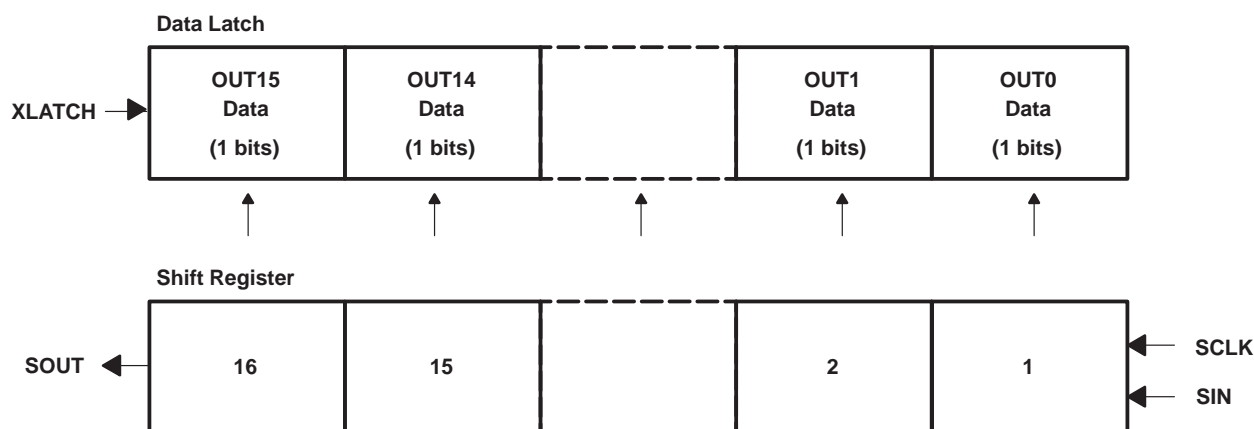


Figure 3. Relationship Between Shift Register and Latch

### SOUT output timing selection

By setting level of SOMODE, the SOUT output timing can be changed. When SOMODE is set to low, data is clocked out to SOUT synchronized on the rising edge of SCLK, and when SOMODE is set to high, data is clocked out to SOUT synchronized on the falling edge of SCLK. When SOMODE is set to high and shift operation is done, the data shift error can be prevented even though SCLK signal is externally buffered in serial. Note that the maximum data transfer rate in cascade operation is slower than that when SMODE is set to low.

### TSD (thermal shutdown)

When the junction temperature exceeds the limit, TSD starts to function and turn constant current output off and XDOWN goes low. Since XDOWN is configured with open-collector output, the outputs of multiple ICs can be concatenated. To recover from constant current output off-state to normal operation, power supply should be turned off and then turned on after several seconds.



**PRINCIPLES OF OPERATION**

**LOD function (LED open detection)**

If any terminal voltage of constant current output (OUT0 TO 15) to be turned on is approximately below 0.3 V, XDOWN output goes low during output on by knowing LED disconnection. This function is operational for sixteen OUTn individually. To know which constant current output is disconnected, the level of XDOWN is repeatedly checked 16 times from OUT0 to OUT15 turning one constant current output on. The power supply voltage for LED should be set to that the constant current output is applied to above 0.4 V to prevent from XDOWN low when LED is lighting on normally. Note that on-time should be minimum 1µs after the constant current output is turned on since XDOWN output is required approximately 1 µs.

As discussed earlier, XDOWN is used for both TSD and LOD function. Therefore, BLANK is used to know which one of TSD or LOD worked when XDOWN went low at LED disconnection, that is, in this condition, when set BLANK to high, all the constant current outputs are turned off and LOD disconnection detection is disabled, then, if XDOWN was changed to high, LED disconnection must be occurred.

Table 1 is an example for XDOWN output status using four LEDs.

**Table 1. XDOWN Output Example**

<b>LED NUMBER</b>	1	2	3	4
<b>LED STATUS</b>	GOOD	NG	GOOD	NG
<b>OUTn</b>	ON	ON	ON	ON
<b>DETECTION RESULT</b>	GOOD	NG	GOOD	NG
<b>XDOWN</b>	LOW (by case 2, 4)			
<b>LED NUMBER</b>	1	2	3	4
<b>LED STATUS</b>	GOOD	NG	GOOD	NG
<b>OUTn</b>	ON	ON	OFF	OFF
<b>DETECTION RESULT</b>	GOOD	NG	GOOD	GOOD
<b>XDOWN</b>	LOW (by case 2)			
<b>LED NUMBER</b>	1	2	3	4
<b>LED STATUS</b>	GOOD	NG	GOOD	NG
<b>OUTn</b>	OFF	OFF	OFF	OFF
<b>DETECTION RESULT</b>	GOOD	GOOD	GOOD	GOOD
<b>XDOWN2</b>	HIGH-IMPEDANCE			

**noise reduction : output slope**

When output current is 80 mA, the time to change constant current output to turn-on and turn-off is approximately 150 ns and 250 ns respectively. This allows to reduce concurrent switching noise occurred when multiple outputs turn or off at the same time.

**thermal pad**

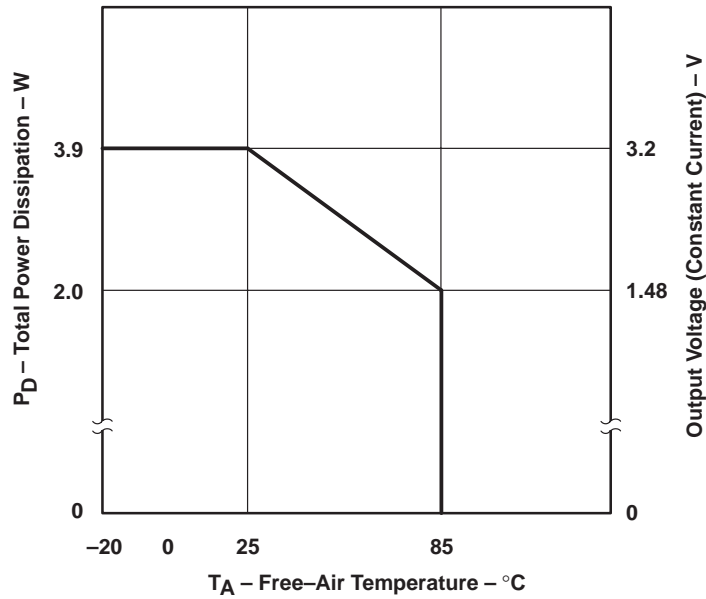
The thermal pad should be connected to GND to eliminate the noise influence since it is connected to the bottom side of IC chip. Also, desired thermal effect will be obtained by connecting this pad to the PCB pattern with better thermal conductivity.

# TLC5921 LED DRIVER

SLLS390 – SEPTEMBER 1999

## PRINCIPLES OF OPERATION

### power rating – free-air temperature

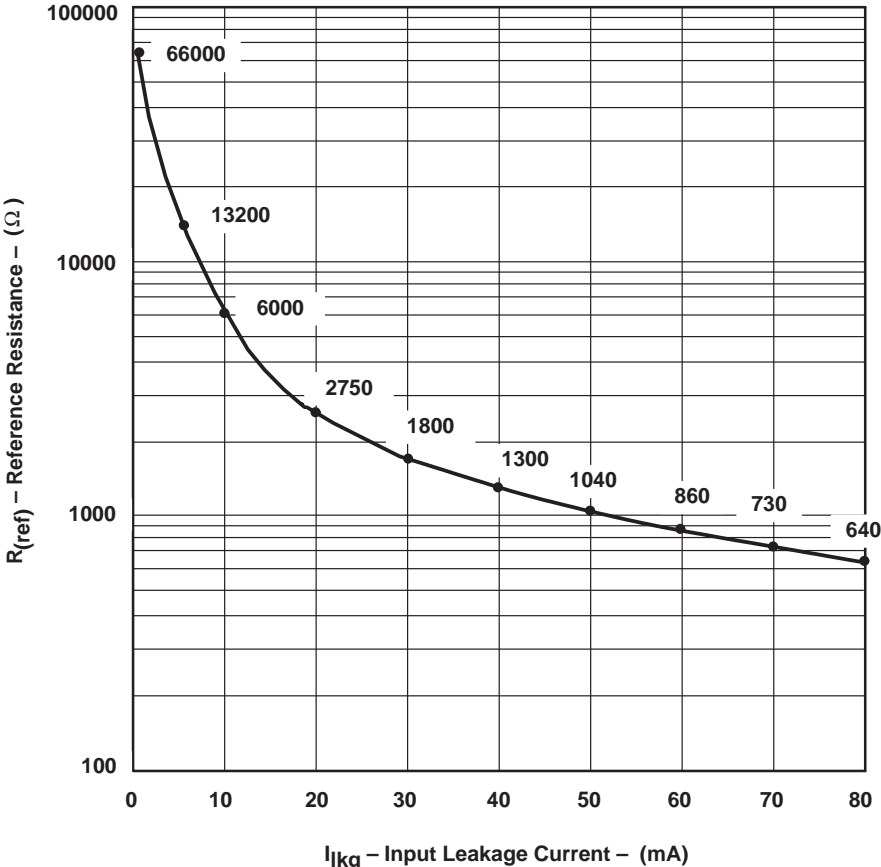


- NOTES:
- A. The data is based on simulation result. When TI recommended print circuit board is used, derate linearly at the rate of 31.4 mW/°C for operation above 25°C free-air temperature. VCC=5 V, IO(LC) = 80 mA, ICC is typical value.
  - B. The thermal impedance will be varied depend on mounting conditions. Since PZP package established low thermal impedance by radiating heat from thermal pad, the thermal pad should be soldered to pattern with low thermal impedance.
  - C. The material for PCB should be selected considering the thermal characteristics since the temperature will rise around the thermal pad.

Figure 4. Power Rating

PRINCIPLES OF OPERATION

constant output current



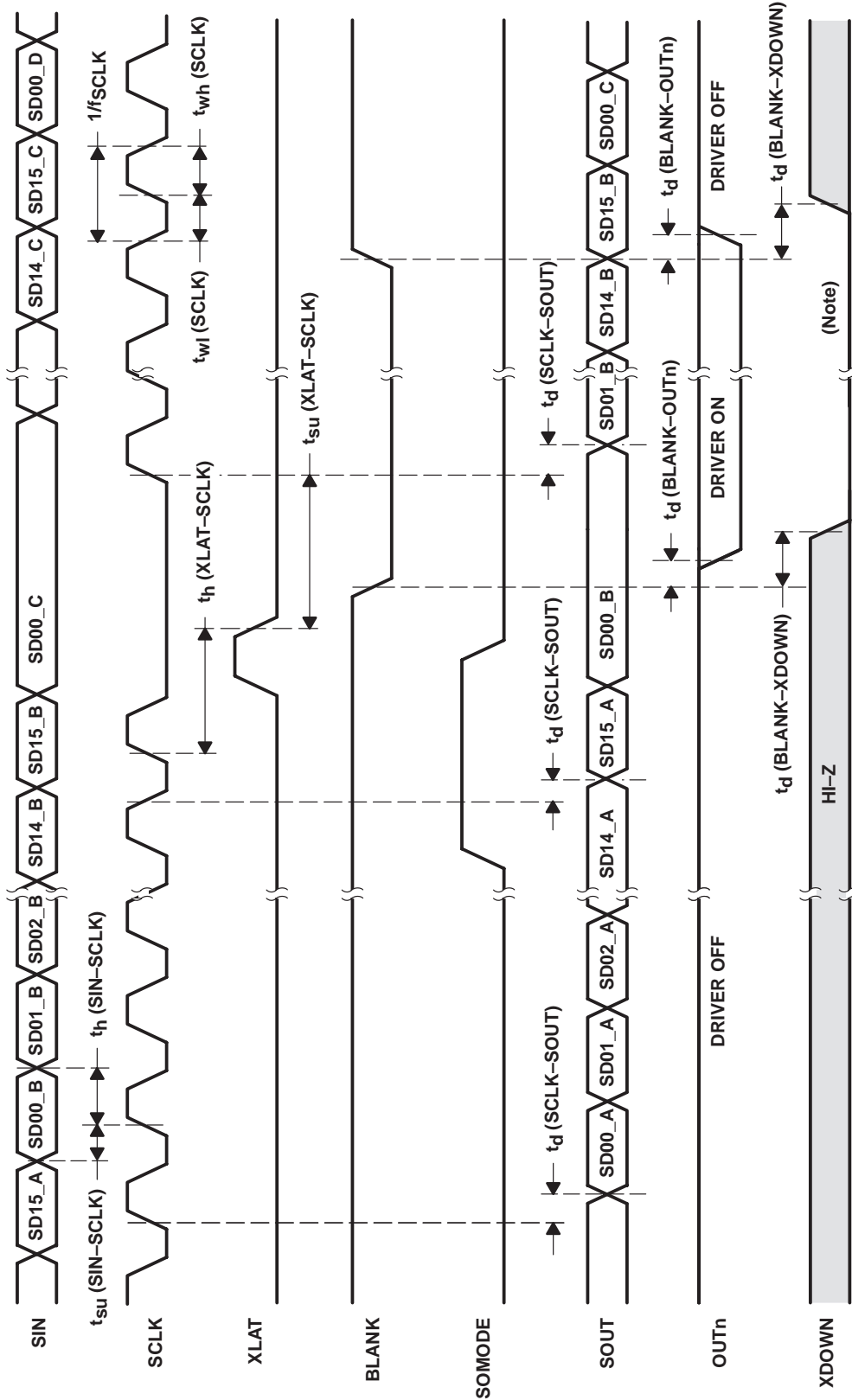
Conditions :  $V_O = 1 V$ ,  $V_{ref} = 1.3 V$

NOTE: The resistor,  $R_{(IREF)}$ , should be located as close to IREF terminal as possible to avoid the noise influence.

Figure 5. Current on Constant Current Output vs External Resistor

TLC5921  
LED DRIVER

SLLS390 – SEPTEMBER 1999



NOTE: LED disconnected

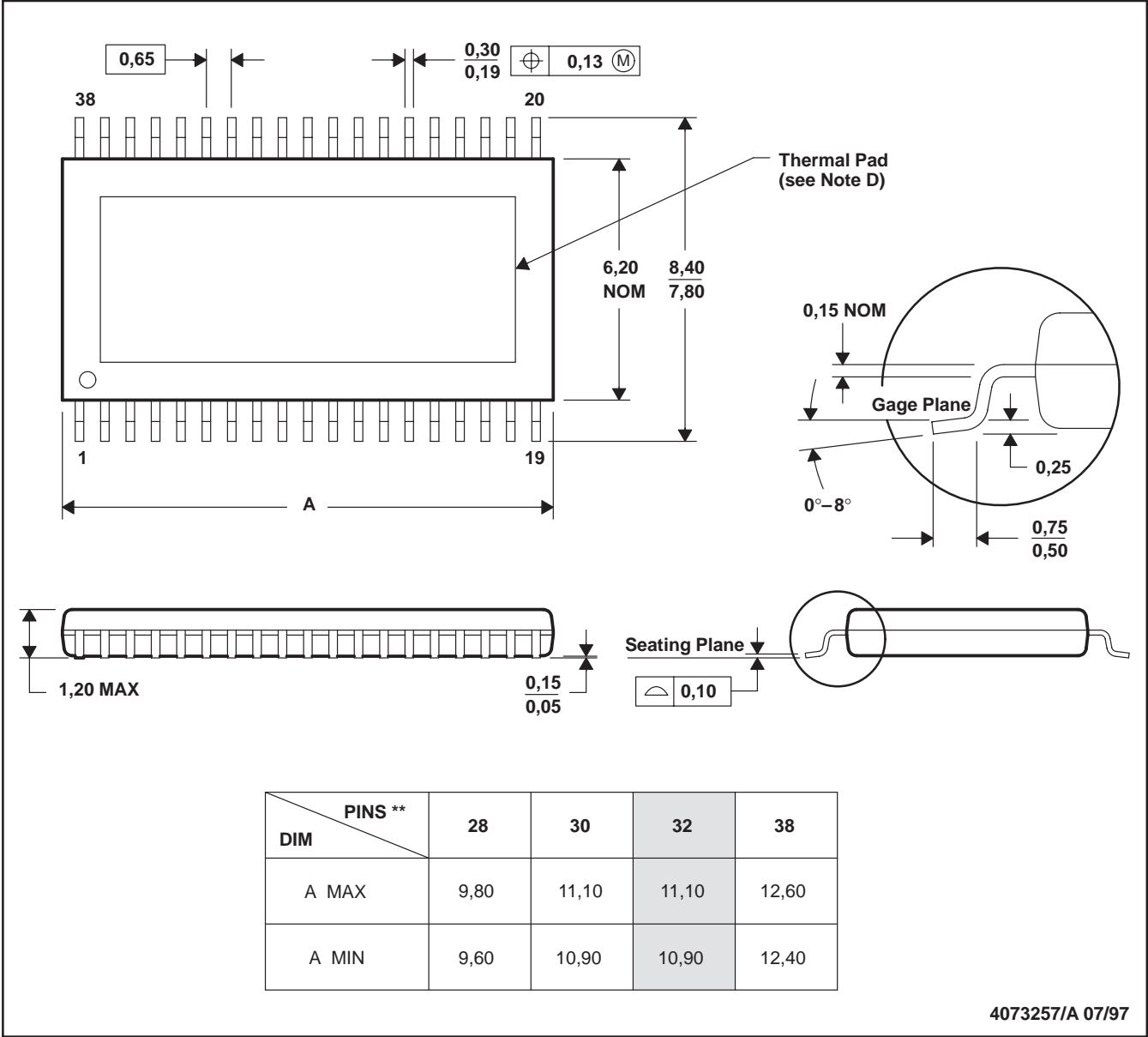
Figure 6. Timing Diagram

MECHANICAL DATA

DAP (R-PDSO-G\*\*)

PowerPAD™ PLASTIC SMALL-OUTLINE PACKAGE

38 PINS SHOWN



4073257/A 07/97

- NOTES:
- A. All linear dimensions are in millimeters.
  - B. This drawing is subject to change without notice.
  - C. Body dimensions do not include mold flash or protrusion.
  - D. The package thermal performance may be enhanced by bonding the thermal pad to an external thermal plane. This pad is electrically and thermally connected to the backside of the die and possibly selected leads.
  - E. Falls within JEDEC MO-153

## **IMPORTANT NOTICE**

Texas Instruments and its subsidiaries (TI) reserve the right to make changes to their products or to discontinue any product or service without notice, and advise customers to obtain the latest version of relevant information to verify, before placing orders, that information being relied on is current and complete. All products are sold subject to the terms and conditions of sale supplied at the time of order acknowledgement, including those pertaining to warranty, patent infringement, and limitation of liability.

TI warrants performance of its semiconductor products to the specifications applicable at the time of sale in accordance with TI's standard warranty. Testing and other quality control techniques are utilized to the extent TI deems necessary to support this warranty. Specific testing of all parameters of each device is not necessarily performed, except those mandated by government requirements.

**CERTAIN APPLICATIONS USING SEMICONDUCTOR PRODUCTS MAY INVOLVE POTENTIAL RISKS OF DEATH, PERSONAL INJURY, OR SEVERE PROPERTY OR ENVIRONMENTAL DAMAGE ("CRITICAL APPLICATIONS"). TI SEMICONDUCTOR PRODUCTS ARE NOT DESIGNED, AUTHORIZED, OR WARRANTED TO BE SUITABLE FOR USE IN LIFE-SUPPORT DEVICES OR SYSTEMS OR OTHER CRITICAL APPLICATIONS. INCLUSION OF TI PRODUCTS IN SUCH APPLICATIONS IS UNDERSTOOD TO BE FULLY AT THE CUSTOMER'S RISK.**

In order to minimize risks associated with the customer's applications, adequate design and operating safeguards must be provided by the customer to minimize inherent or procedural hazards.

TI assumes no liability for applications assistance or customer product design. TI does not warrant or represent that any license, either express or implied, is granted under any patent right, copyright, mask work right, or other intellectual property right of TI covering or relating to any combination, machine, or process in which such semiconductor products or services might be or are used. TI's publication of information regarding any third party's products or services does not constitute TI's approval, warranty or endorsement thereof.